

4

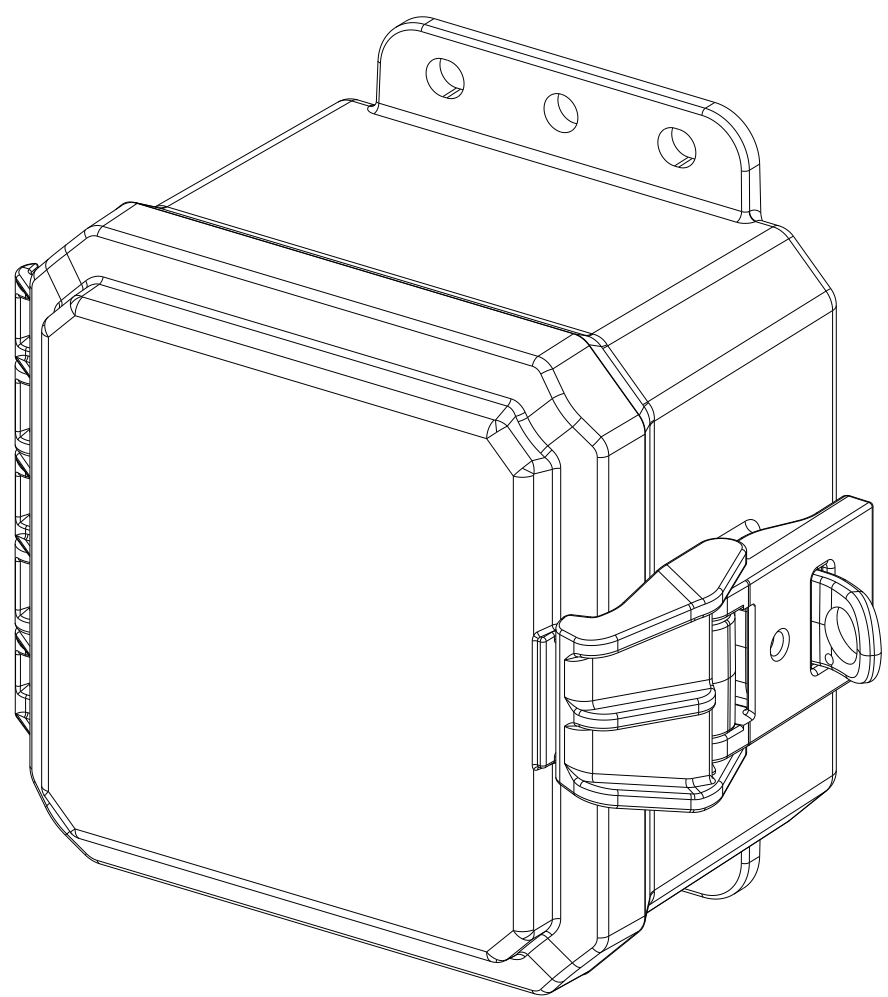
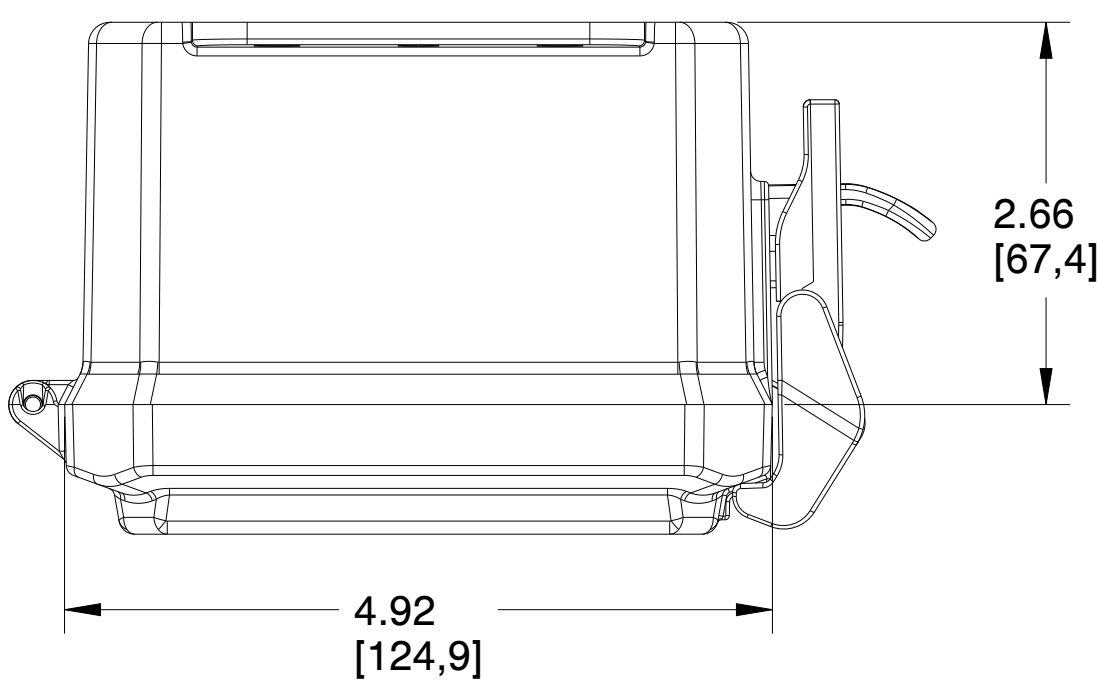
3

2

1

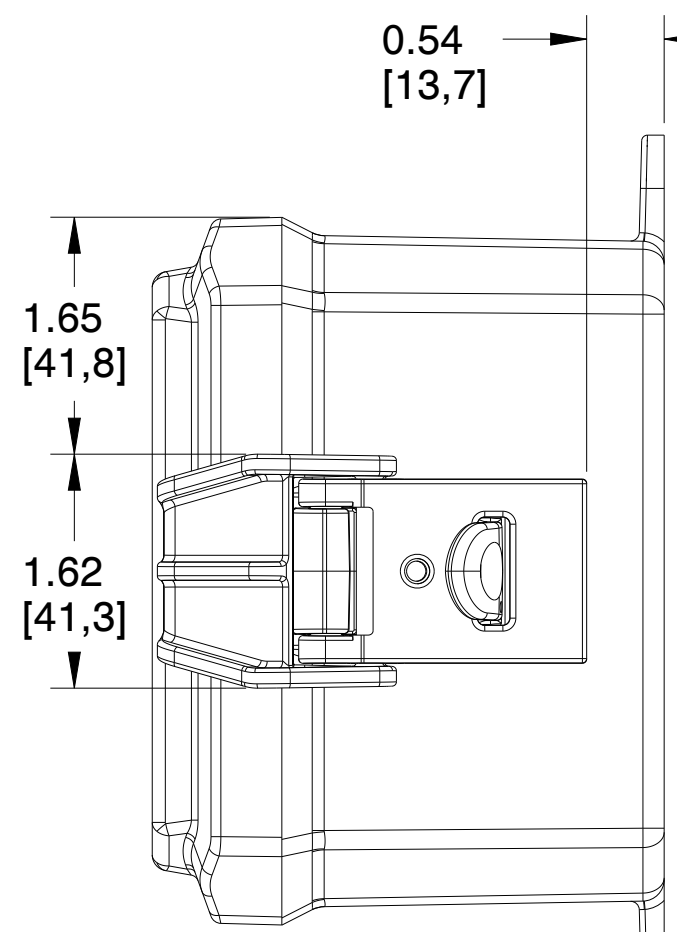
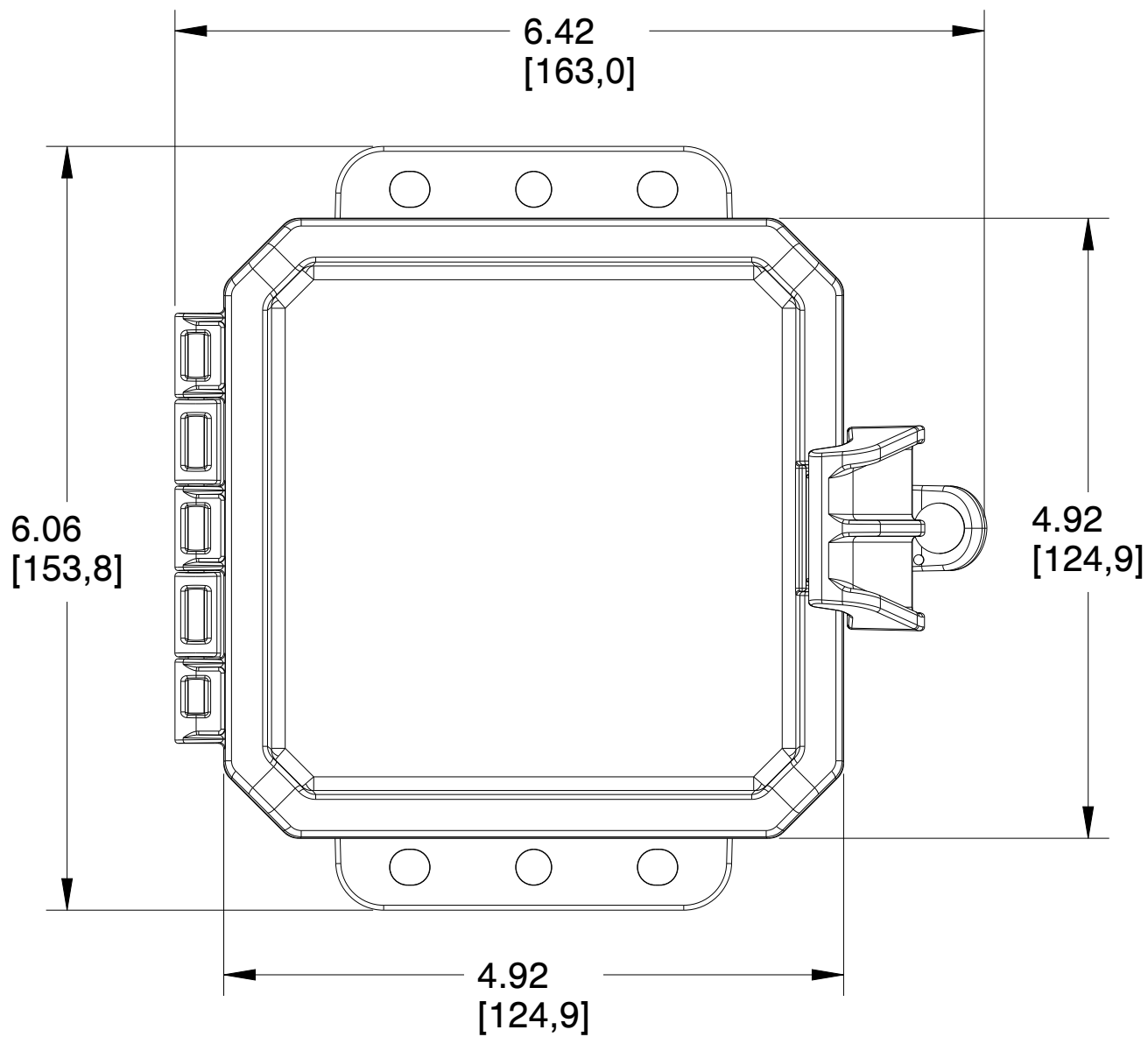
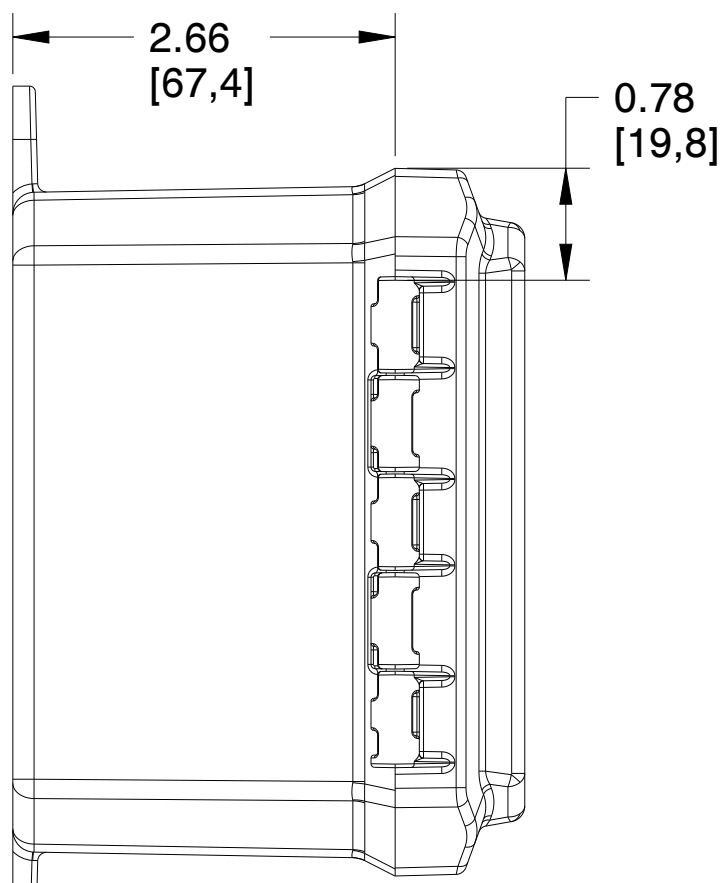
D

D



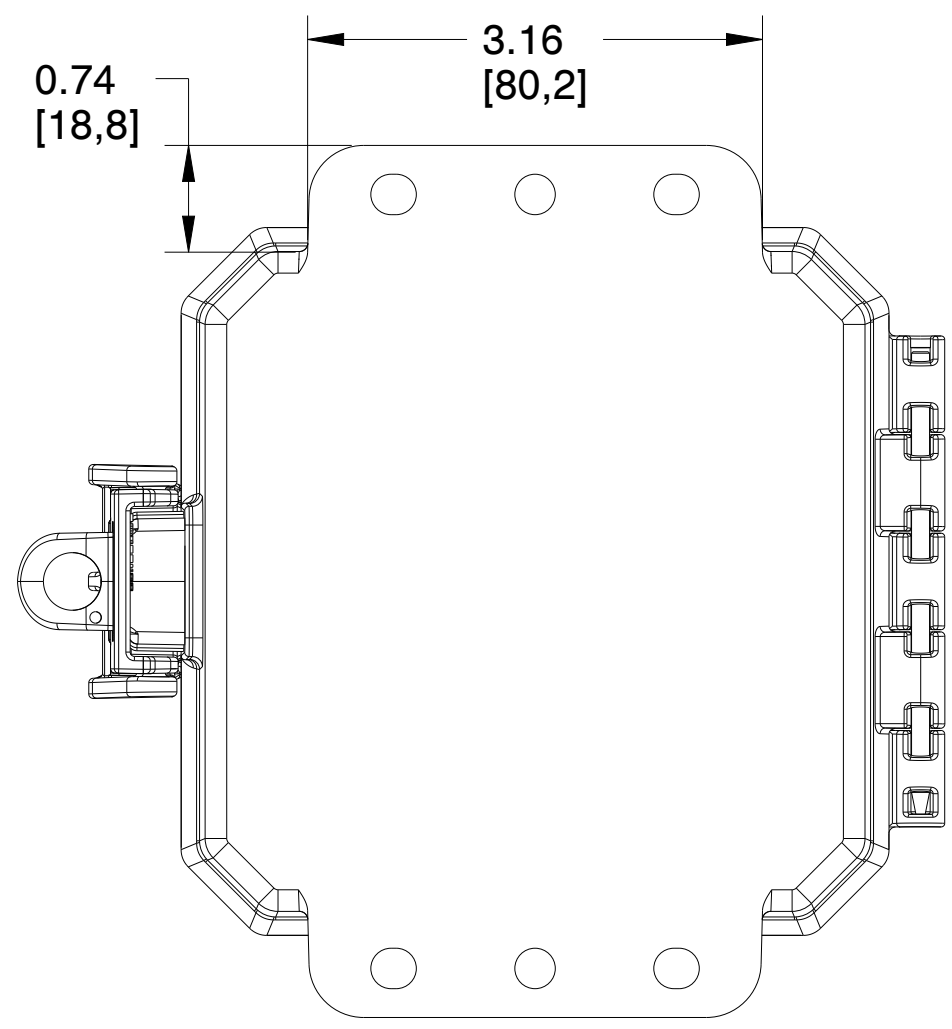
C

C



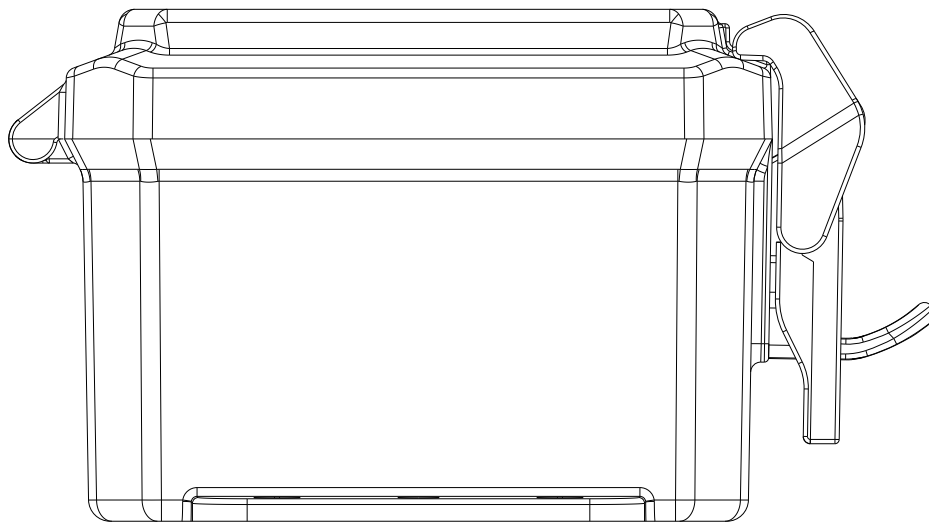
B

B



A

A



4

3

2

1

**INTEGRA ENCLOSURES**  
 MUM INDUSTRIES  
 8989 TYLER BLVD  
 MENTOR, OHIO, U.S.A.  
 (440) 269-8155 FAX (440) 269-8166

SCALE <b>0.750</b>	SHEET <b>1 of 2</b>	DRAWN BY <b>T.PAUL</b>
-----------------------	------------------------	---------------------------

TITLE <b>IMP-4X4X3-LPH-GRY-NML</b>
---------------------------------------

DATE <b>10.21.2021</b>	DRAWING NUMBER <b>P4043LPNL</b>	REV <b>A</b>
---------------------------	------------------------------------	-----------------

UNLESS OTHERWISE SPECIFIED:  
 DIMENSIONS ARE IN INCHES (mm)  
 AND ARE NOMINAL ONLY

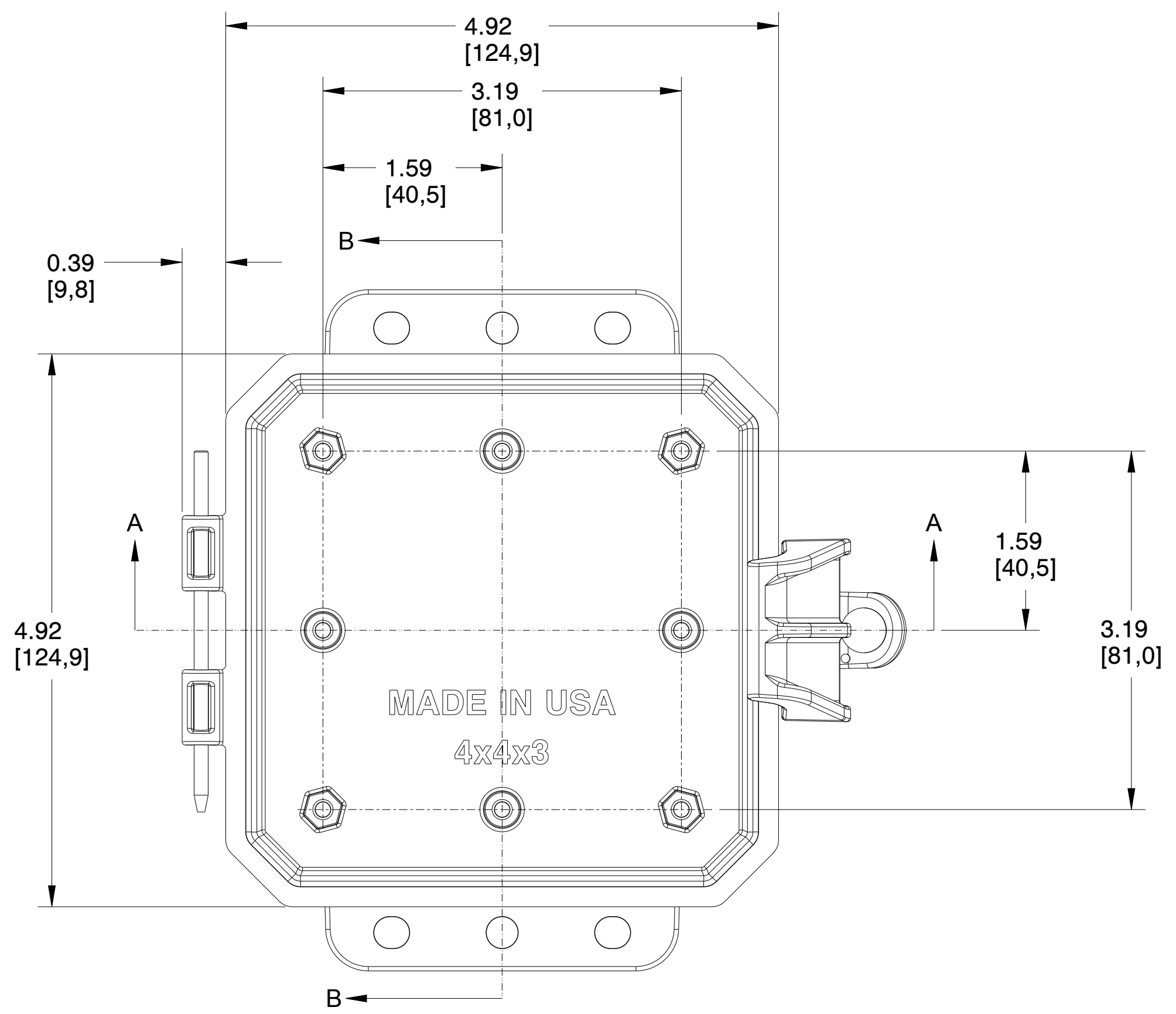
PROPRIETARY AND CONFIDENTIAL:  
 THE INFORMATION CONTAINED IN THIS  
 DRAWING IS THE SOLE PROPERTY OF  
 INTEGRA ENCLOSURES. ANY  
 REPRODUCTION IN PART OR AS A  
 WHOLE WITHOUT THE WRITTEN  
 PERMISSION OF INTEGRA  
 ENCLOSURES IS PROHIBITED.

4

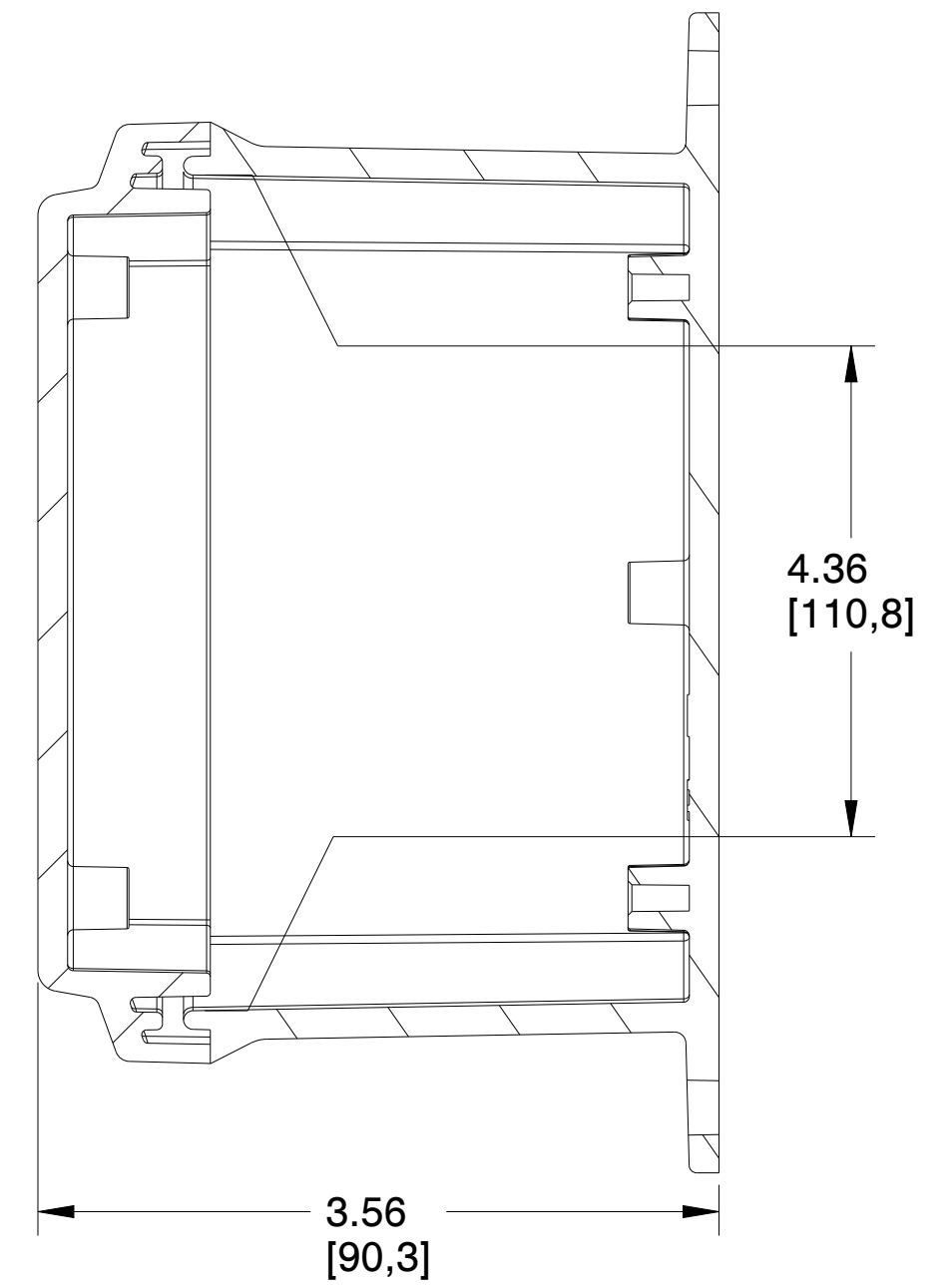
3

2

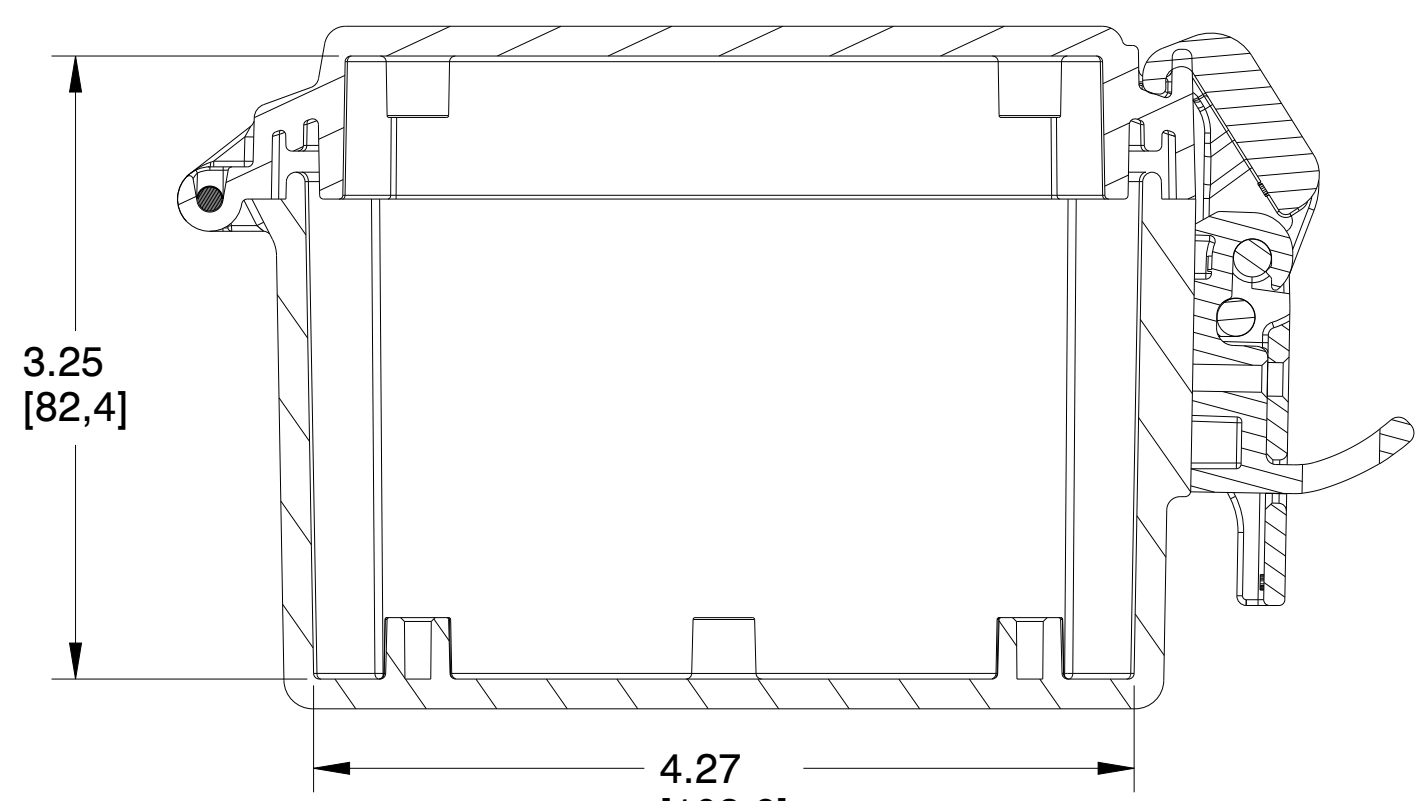
1



MADE IN USA  
4x4x3



SECTION B-B



SECTION A-A

		MUM INDUSTRIES 8989 TYLER BLVD MENTOR, OHIO, U.S.A. (440) 269-8155 FAX (440) 269-8166
SCALE 1.000	SHEET 2 of 2	DRAWN BY T.PAUL
TITLE IMP-4X4X3-LPH-GRY-NML		
DATE 10.21.2021	DRAWING NUMBER P4043LPNL	REV A

UNLESS OTHERWISE SPECIFIED:  
DIMENSIONS ARE IN INCHES (mm)  
AND ARE NOMINAL ONLY

PROPRIETARY AND CONFIDENTIAL:  
THE INFORMATION CONTAINED IN THIS  
DRAWING IS THE SOLE PROPERTY OF  
INTEGRA ENCLOSURES. ANY  
REPRODUCTION IN PART OR AS A  
WHOLE WITHOUT THE WRITTEN  
PERMISSION OF INTEGRA  
ENCLOSURES IS PROHIBITED.

4

3

2

1

D

D

C

C

B

B

A

A