

4

3

2

1

D

D

C

C

B

B

A

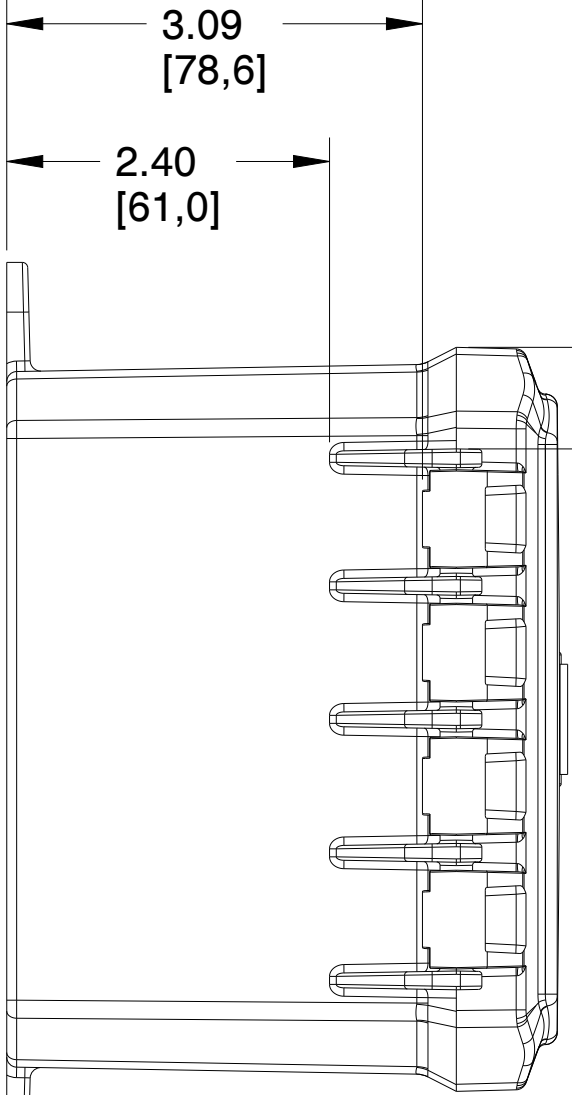
A

4

3

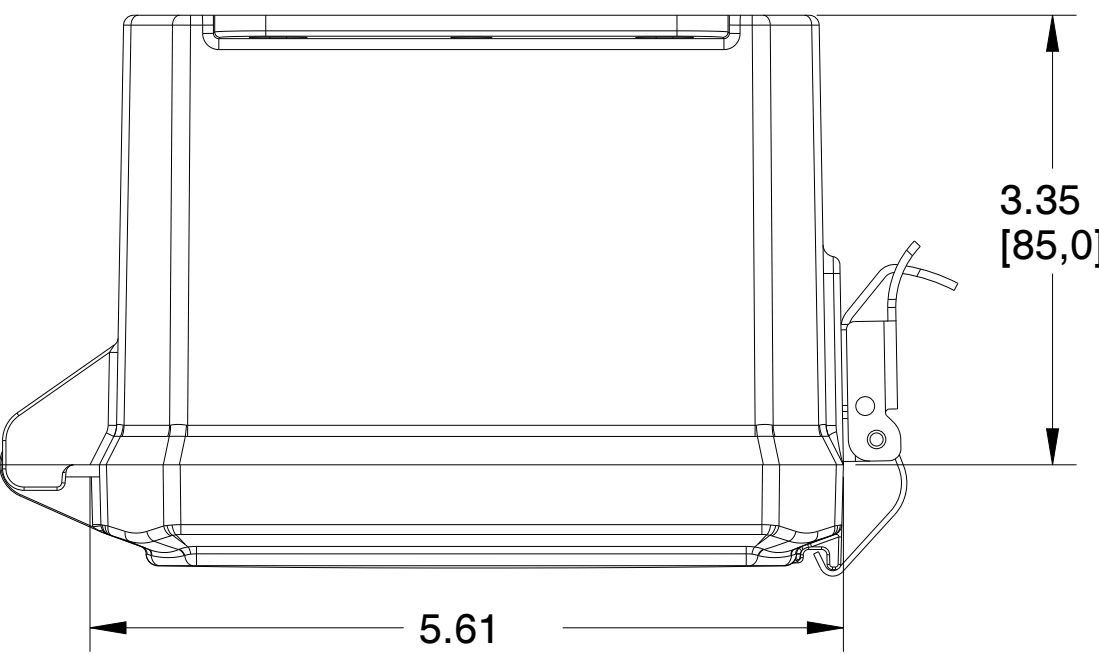
2

1



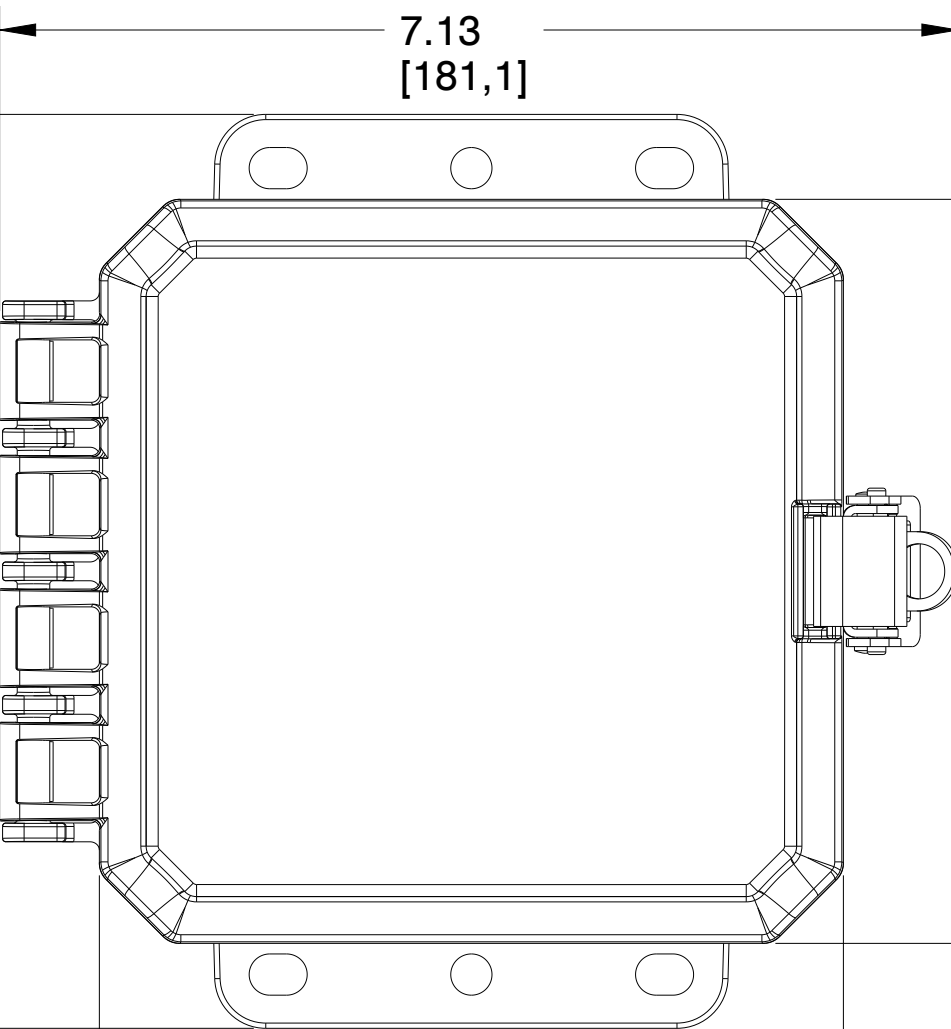
0.76 [19,2]

6.80 [172,7]



5.61 [142,4]

3.35 [85,0]



7.13 [181,1]

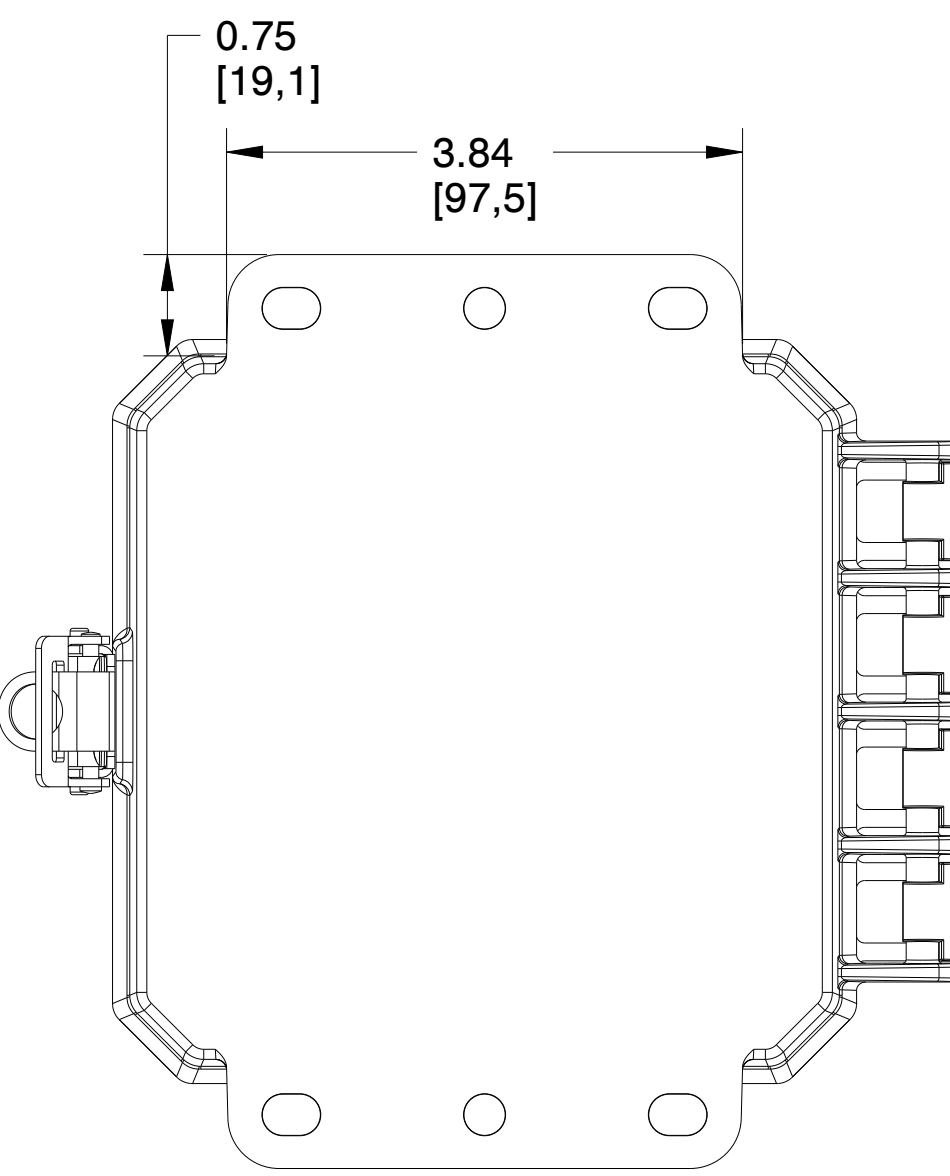
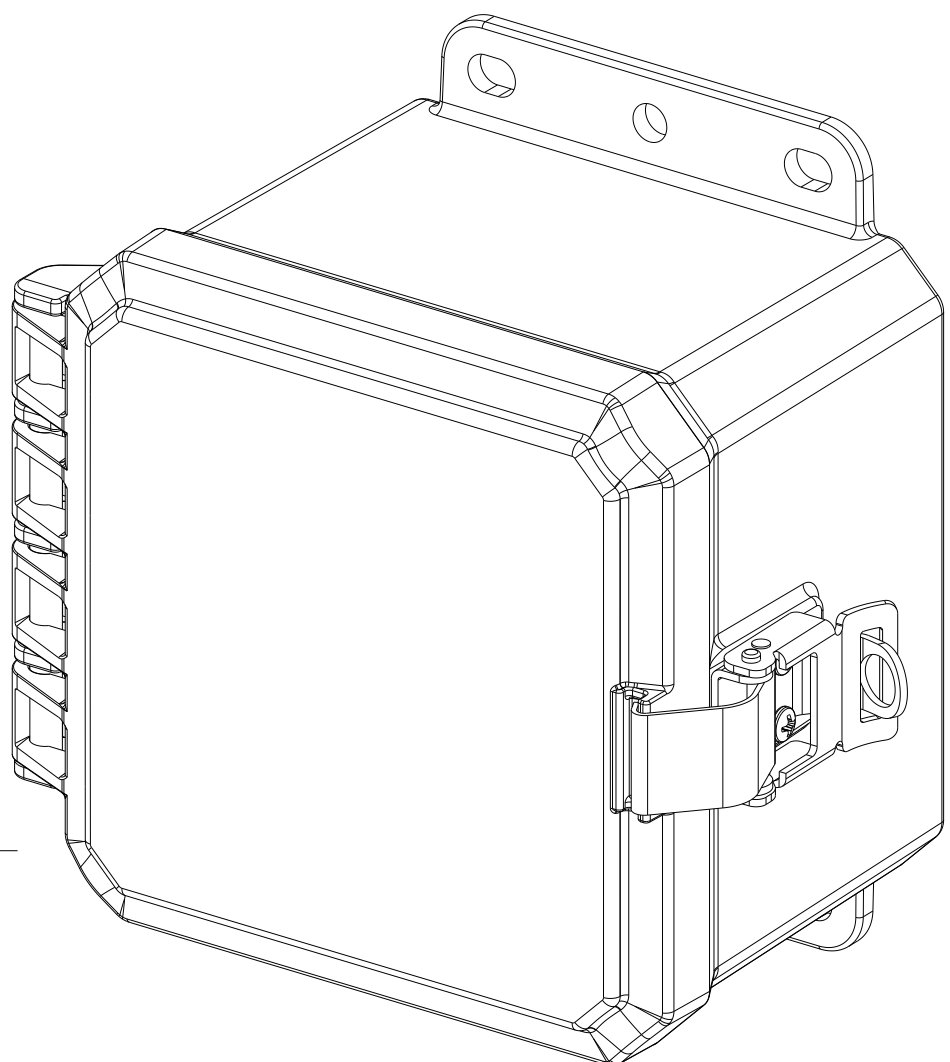
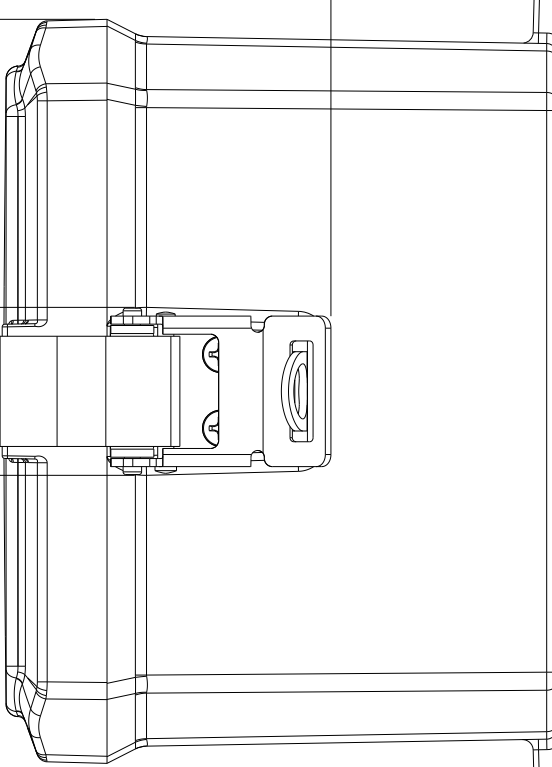
5.54 [140,6]

5.54 [140,6]

1.25 [31,7]

2.14 [54,4]

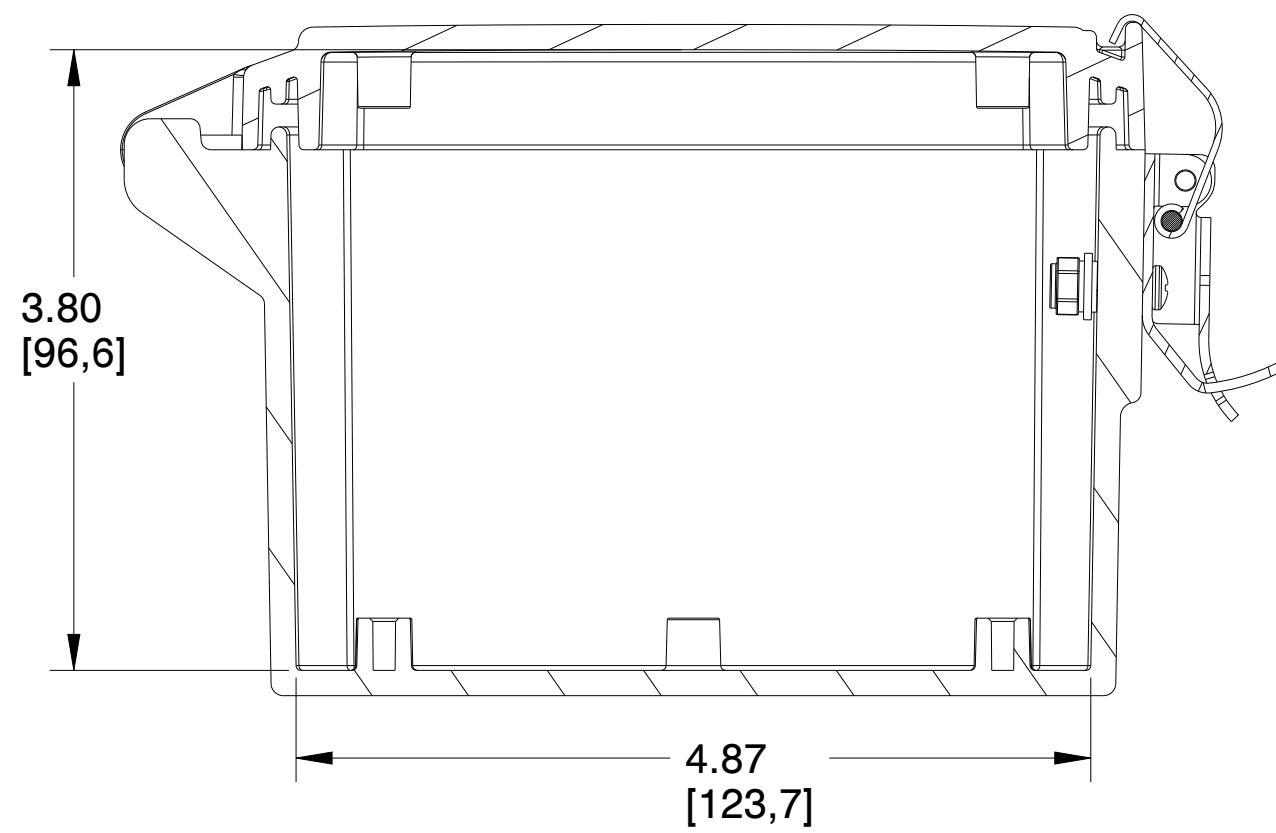
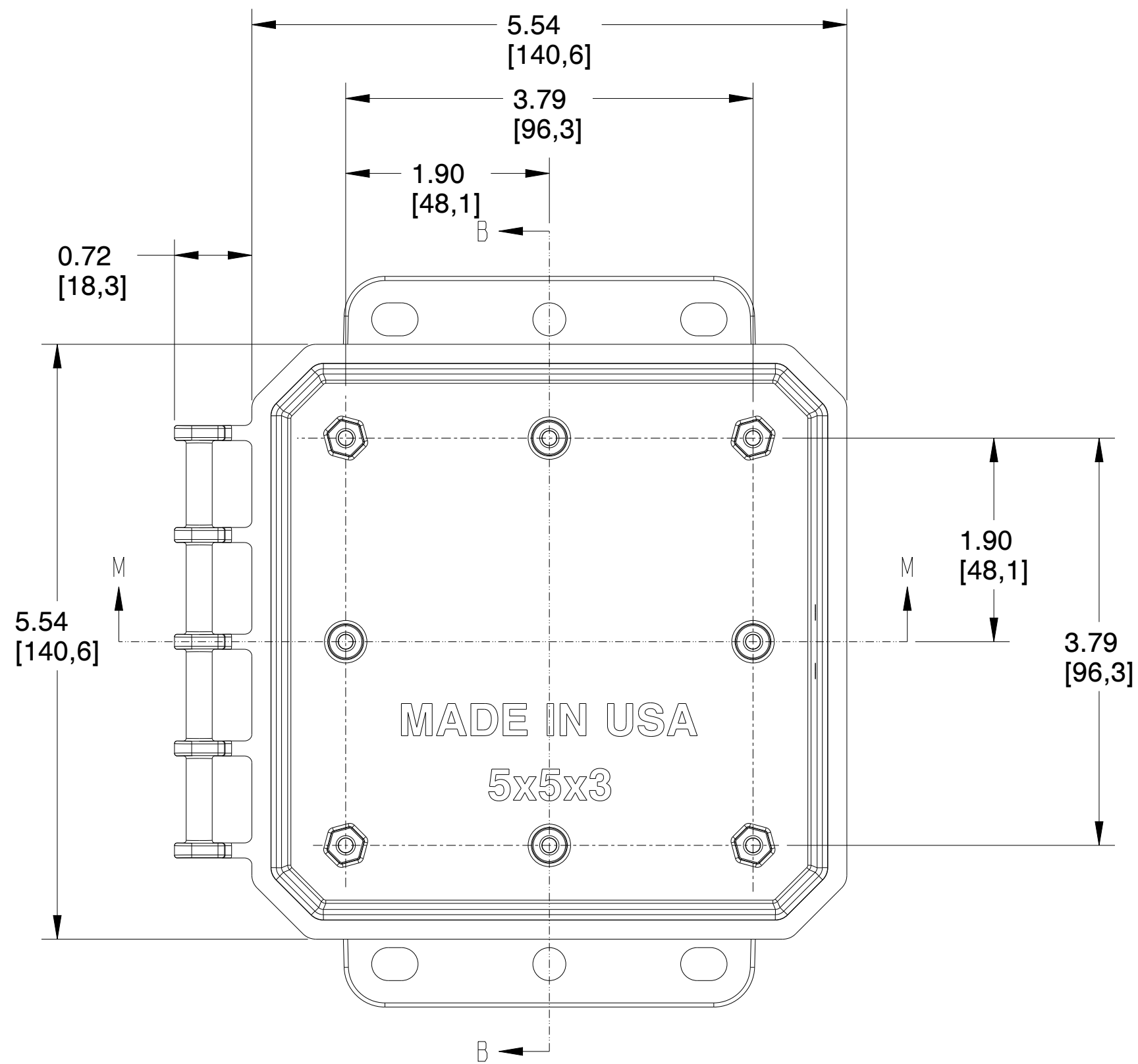
1.68 [42,6]



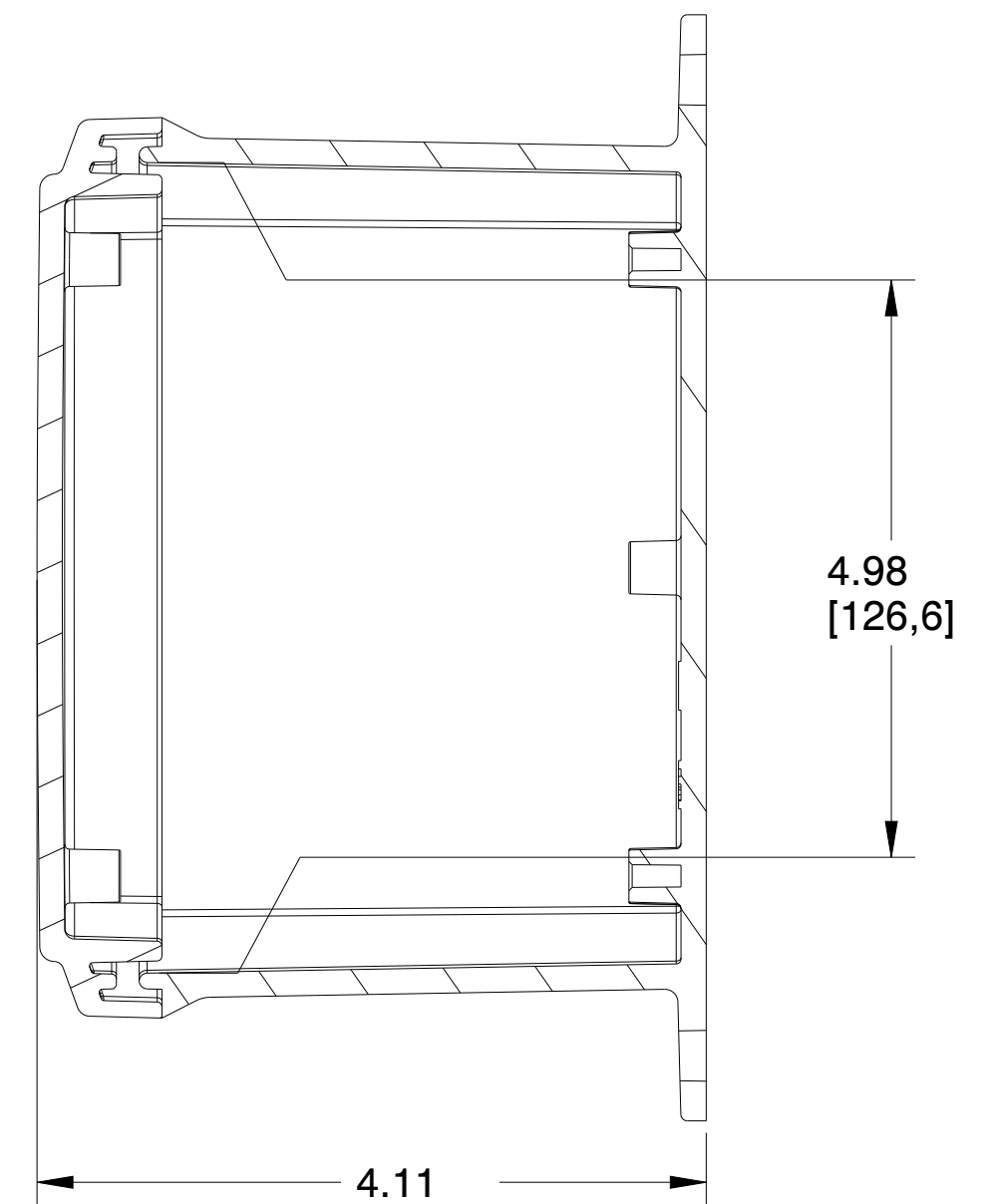
		MUM INDUSTRIES 8989 TYLER BLVD MENTOR, OHIO, U.S.A. (440) 269-8155 FAX (440) 269-8166	
SCALE	SHEET	DRAWN BY	
0.700	1 of 2	T.PAUL	
TITLE			
IMP-5X5X3-LL			
DATE	DRAWING NUMBER	REV	
08.02.2021	P5053LL	A	

UNLESS OTHERWISE SPECIFIED:
DIMENSIONS ARE IN INCHES (mm)
AND ARE NOMINAL ONLY

PROPRIETARY AND CONFIDENTIAL:
THE INFORMATION CONTAINED IN THIS
DRAWING IS THE SOLE PROPERTY OF
INTEGRA ENCLOSURES. ANY
REPRODUCTION IN PART OR AS A
WHOLE WITHOUT THE WRITTEN
PERMISSION OF INTEGRA
ENCLOSURES IS PROHIBITED.



SECTION M-M



SECTION B-B

		MUM INDUSTRIES 8989 TYLER BLVD MENTOR, OHIO, U.S.A. (440) 269-8155 FAX (440) 269-8166	
		SCALE	SHEET
0.850	2 of 2	T.PAUL	
TITLE			
IMP-5X5X3-LL			
DATE	DRAWING NUMBER	REV	
08.02.2021	P5053LL	A	

UNLESS OTHERWISE SPECIFIED:
 DIMENSIONS ARE IN INCHES (mm)
 AND ARE NOMINAL ONLY

PROPRIETARY AND CONFIDENTIAL:
 THE INFORMATION CONTAINED IN THIS
 DRAWING IS THE SOLE PROPERTY OF
 INTEGRA ENCLOSURES. ANY
 REPRODUCTION IN PART OR AS A
 WHOLE WITHOUT THE WRITTEN
 PERMISSION OF INTEGRA
 ENCLOSURES IS PROHIBITED.