

4

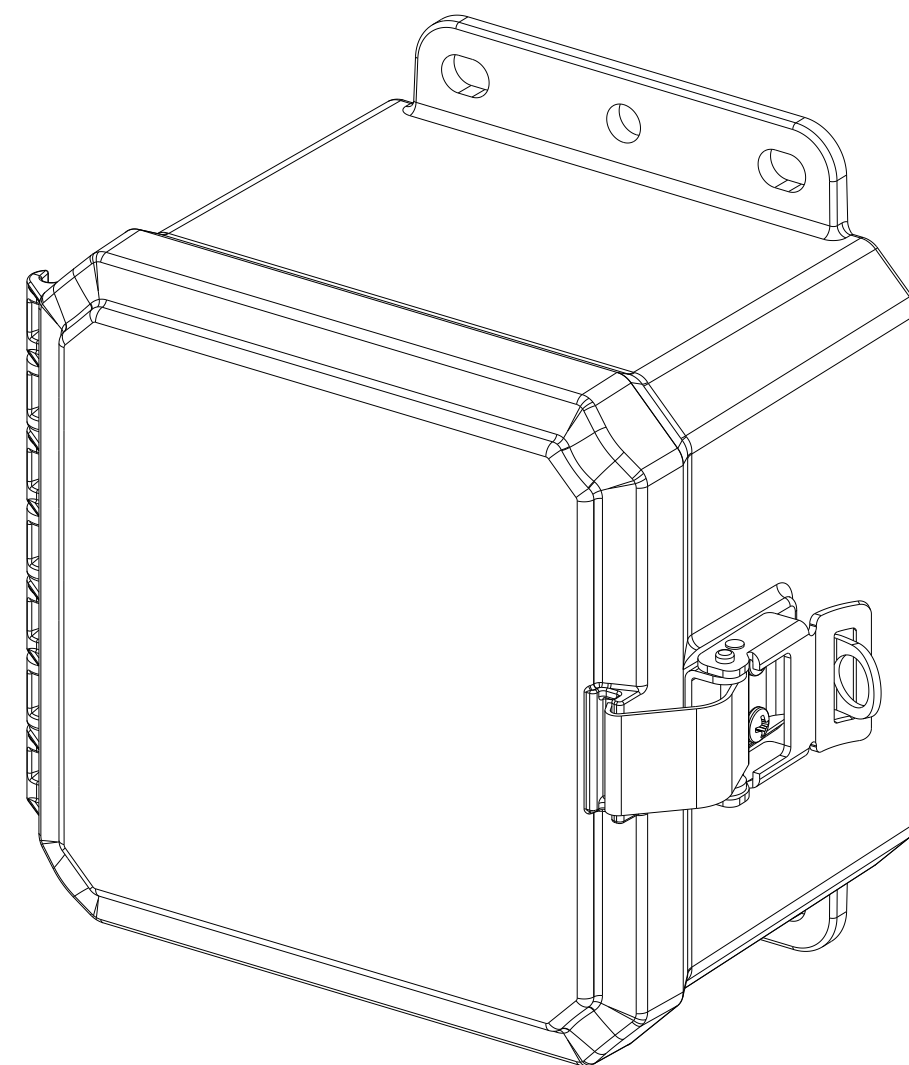
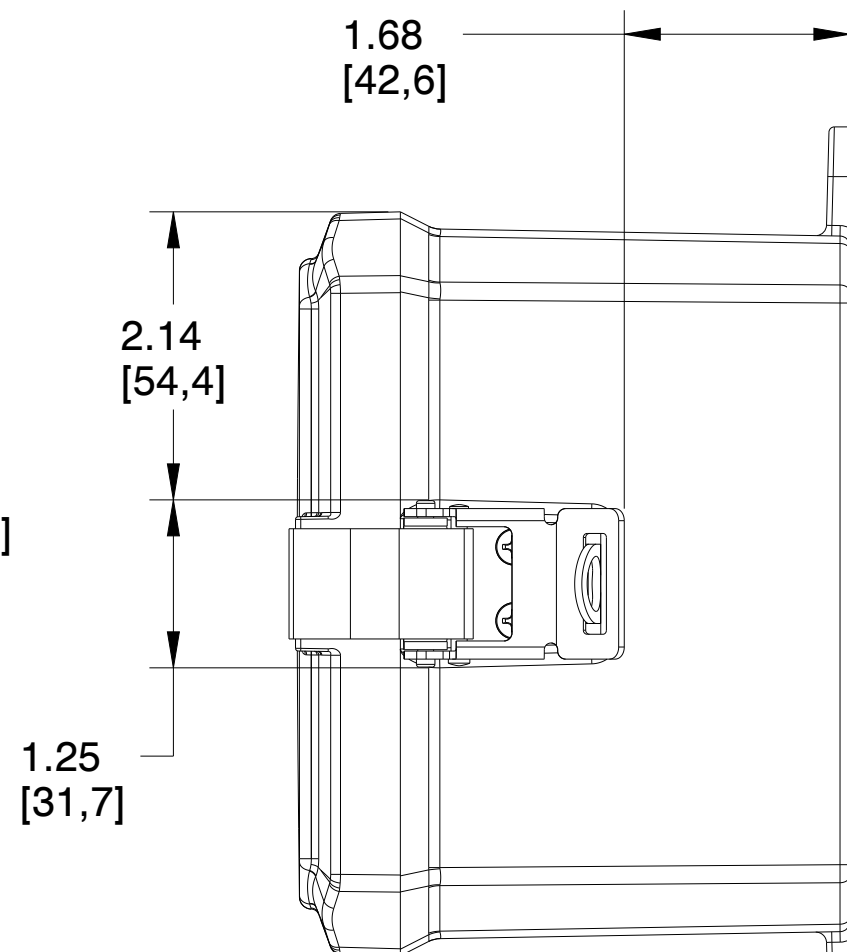
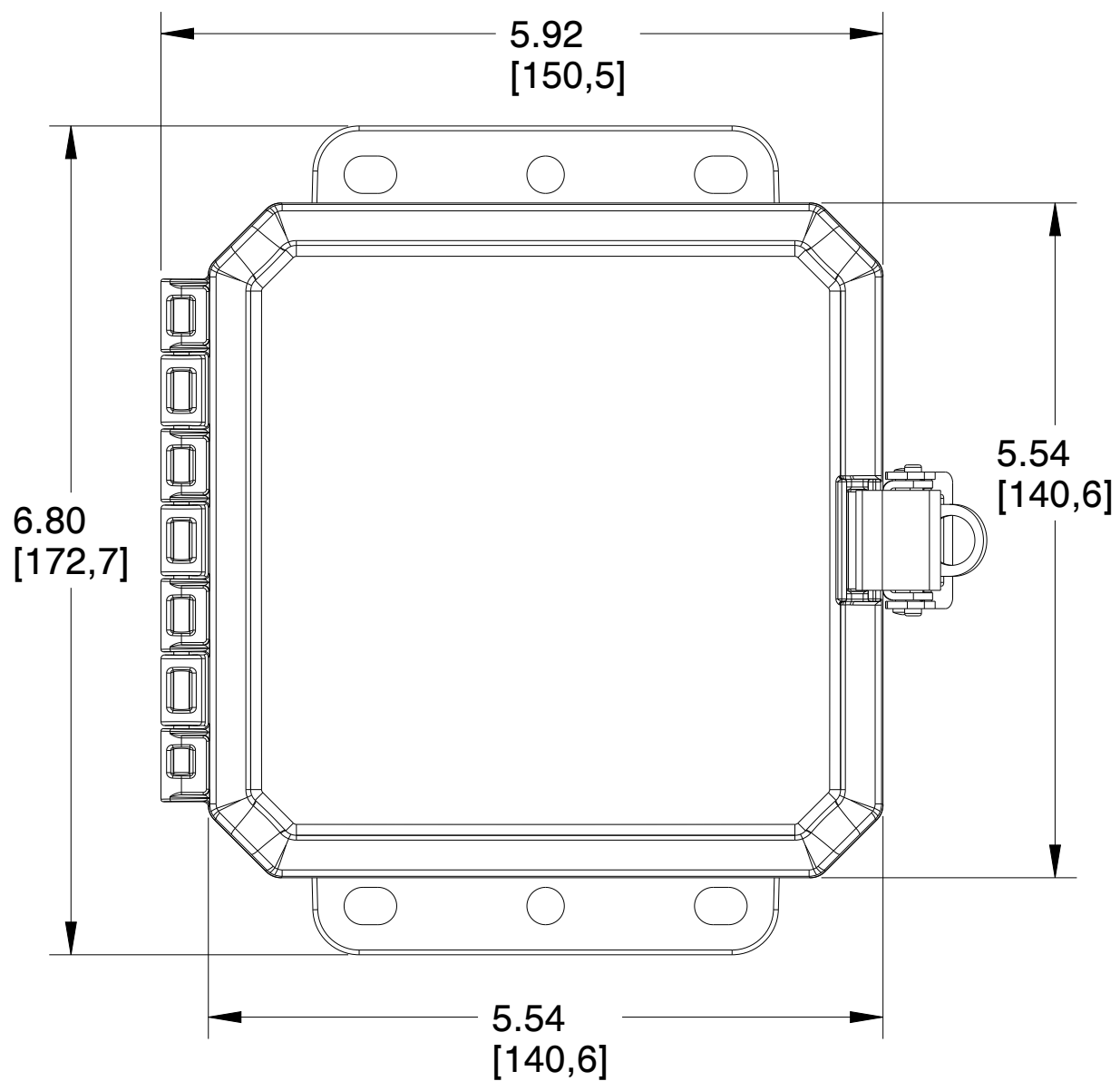
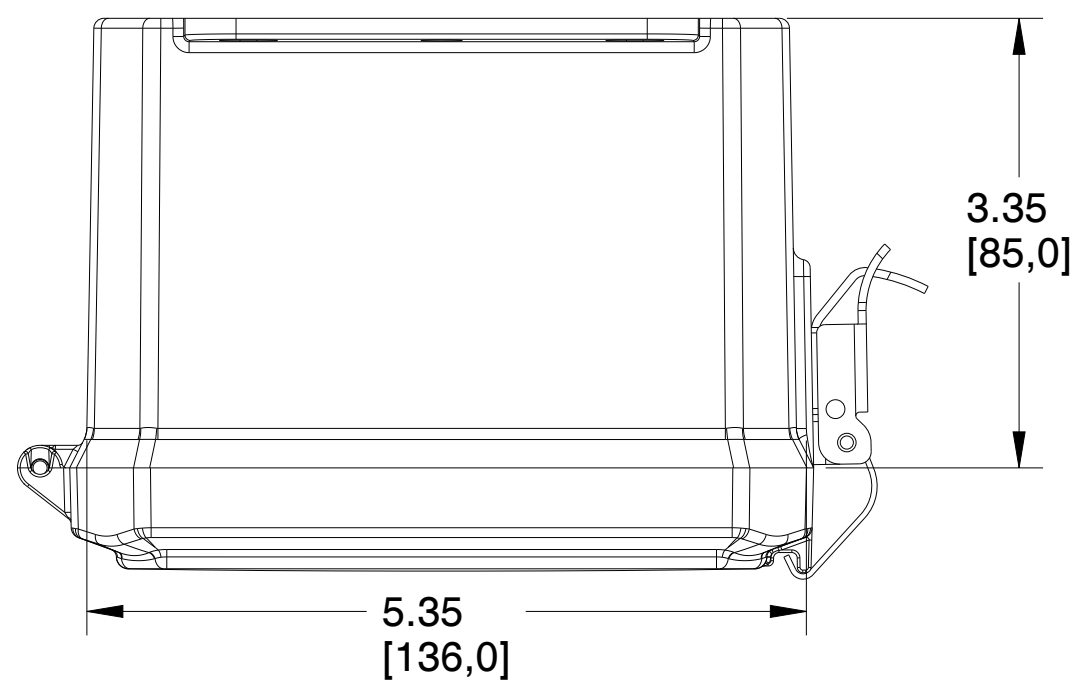
3

2

1

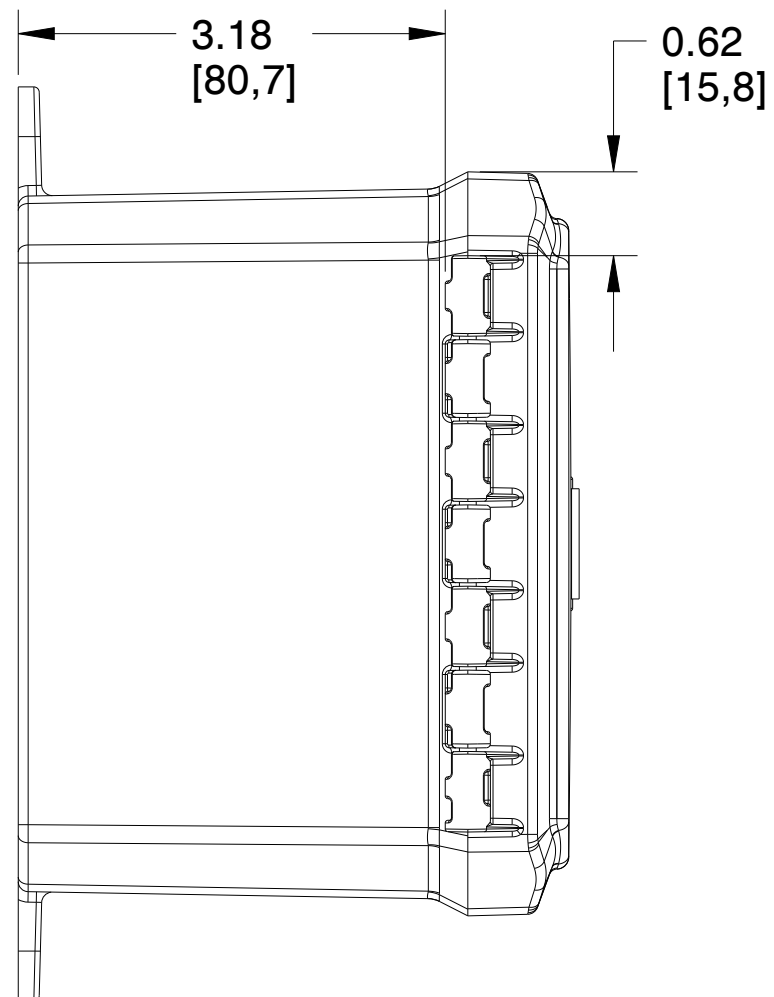
D

D



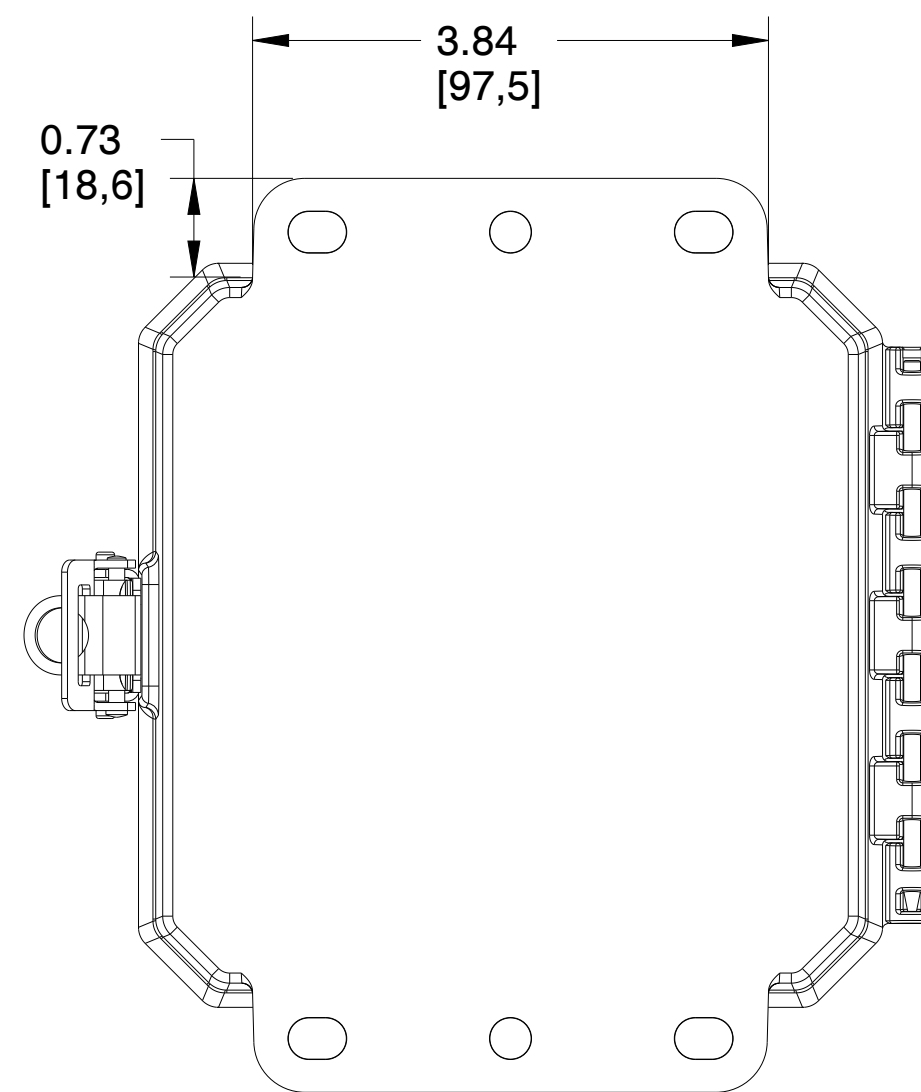
C

C



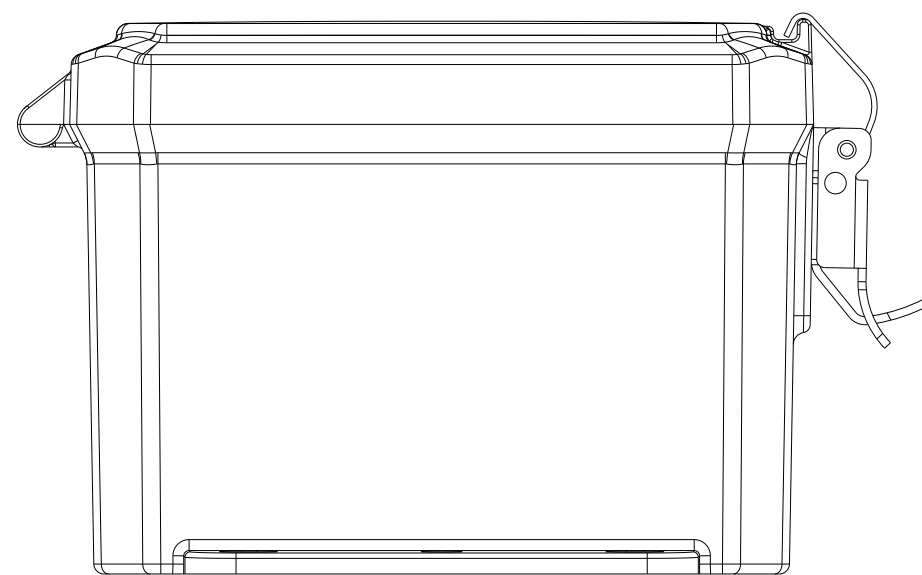
B

B



A

A



4

3

2

1

| | | | |
|-----------------------|----------------|--|--|
| | | MUM INDUSTRIES 8989 TYLER BLVD MENTOR, OHIO, U.S.A. (440) 269-8155 FAX (440) 269-8166 | |
| SCALE | SHEET | DRAWN BY | |
| 0.700 | 1 of 2 | T.PAUL | |
| TITLE | | | |
| IMP-5X5X3-LOW-PROF-LL | | | |
| DATE | DRAWING NUMBER | REV | |
| 08.02.2021 | P5053LPLL | A | |

UNLESS OTHERWISE SPECIFIED:
DIMENSIONS ARE IN INCHES (mm)
AND ARE NOMINAL ONLY

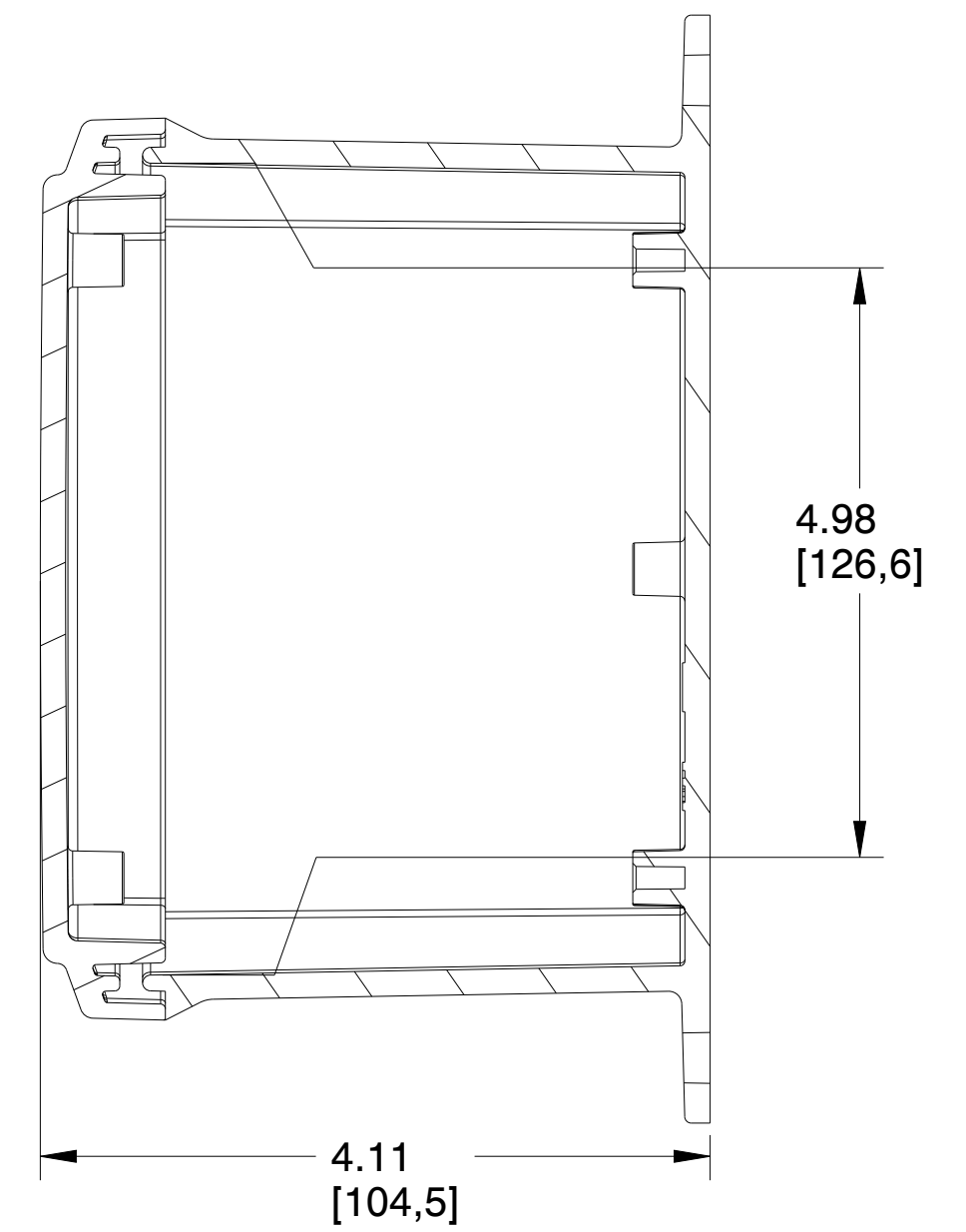
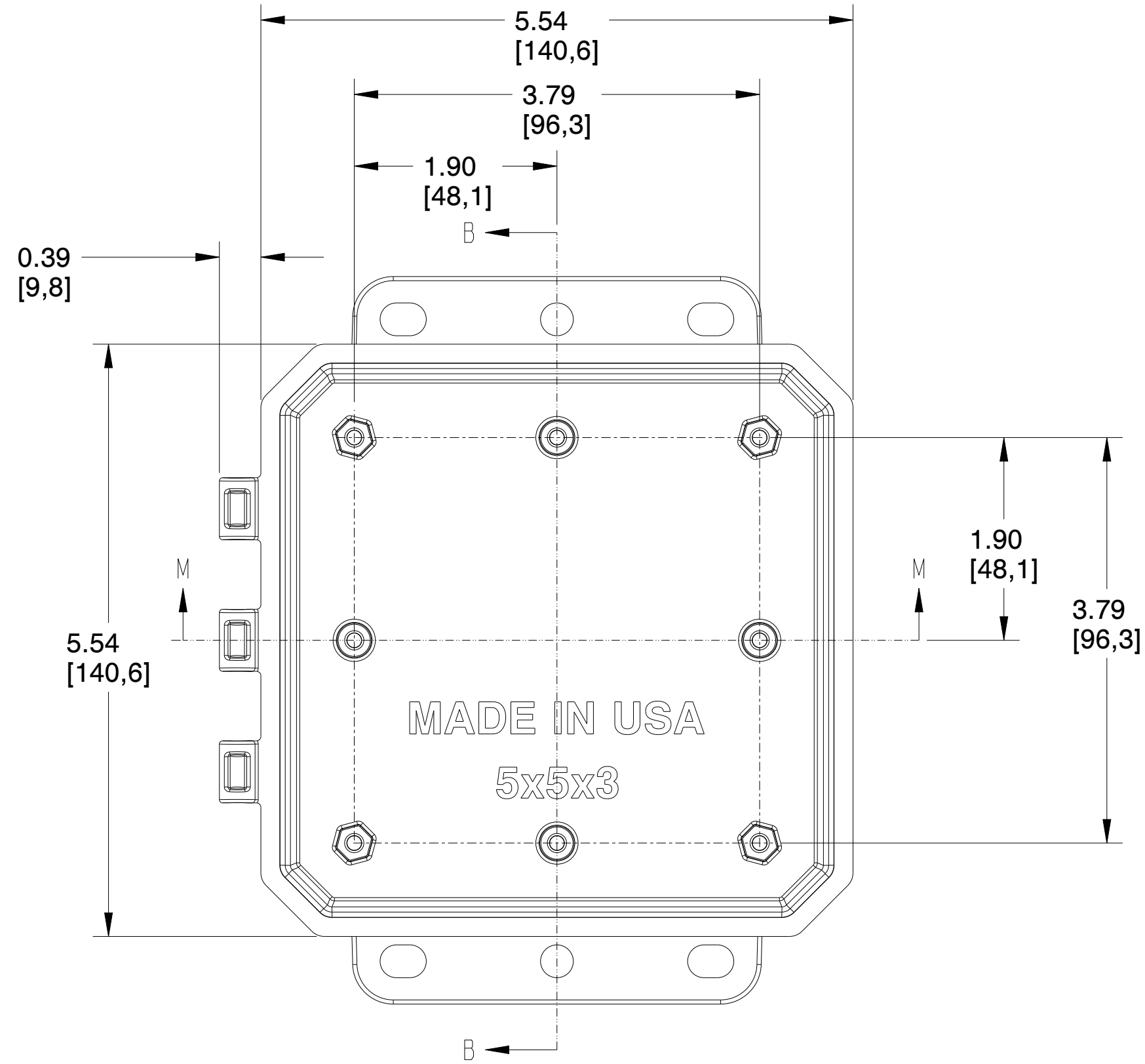
PROPRIETARY AND CONFIDENTIAL:
THE INFORMATION CONTAINED IN THIS
DRAWING IS THE SOLE PROPERTY OF
INTEGRA ENCLOSURES. ANY
REPRODUCTION IN PART OR AS A
WHOLE WITHOUT THE WRITTEN
PERMISSION OF INTEGRA
ENCLOSURES IS PROHIBITED.

4

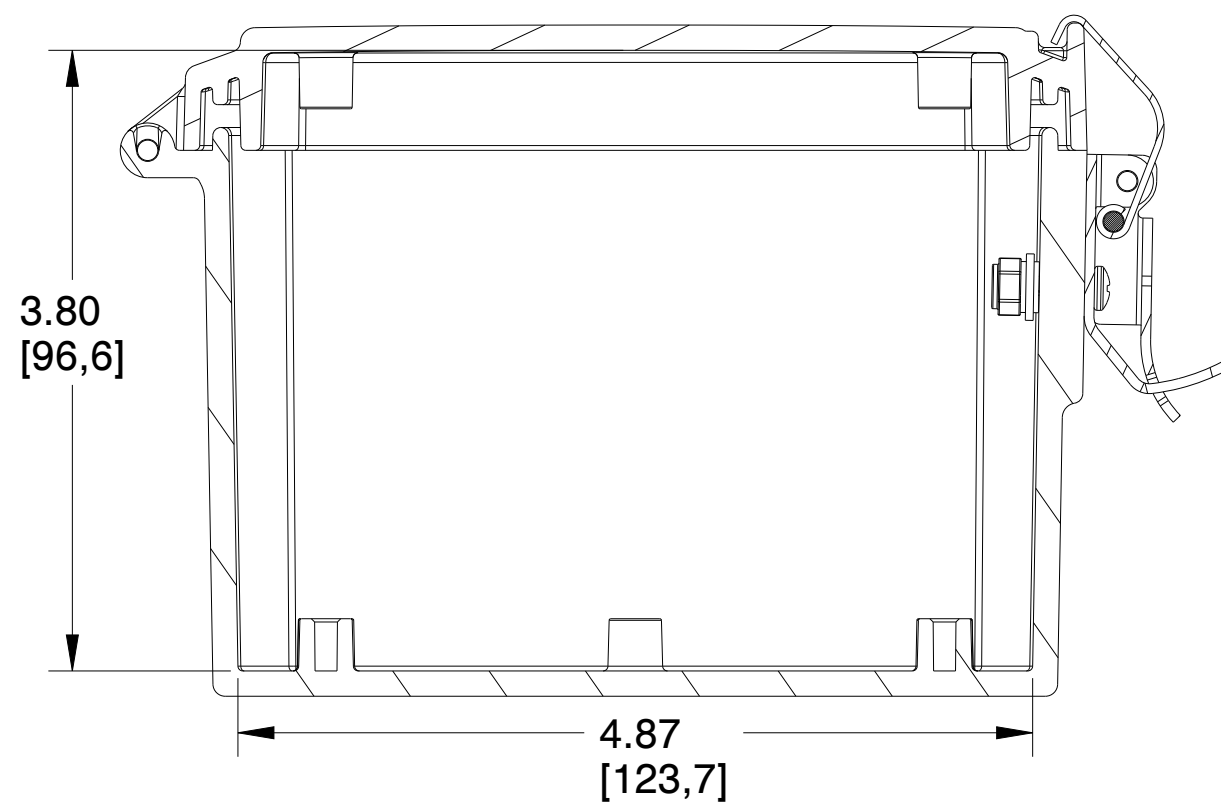
3

2

1



SECTION B-B



SECTION M-M

| | | | |
|-----------------------|----------------|--|--|
| | | MUM INDUSTRIES 8989 TYLER BLVD MENTOR, OHIO, U.S.A. (440) 269-8155 FAX (440) 269-8166 | |
| SCALE | SHEET | DRAWN BY | |
| 0.850 | 2 of 2 | T.PAUL | |
| TITLE | | | |
| IMP-5X5X3-LOW-PROF-LL | | | |
| DATE | DRAWING NUMBER | REV | |
| 08.02.2021 | P5053LP LL | A | |

UNLESS OTHERWISE SPECIFIED:
DIMENSIONS ARE IN INCHES (mm)
AND ARE NOMINAL ONLY

PROPRIETARY AND CONFIDENTIAL:
THE INFORMATION CONTAINED IN THIS
DRAWING IS THE SOLE PROPERTY OF
INTEGRA ENCLOSURES. ANY
REPRODUCTION IN PART OR AS A
WHOLE WITHOUT THE WRITTEN
PERMISSION OF INTEGRA
ENCLOSURES IS PROHIBITED.

4

3

2

1