

4

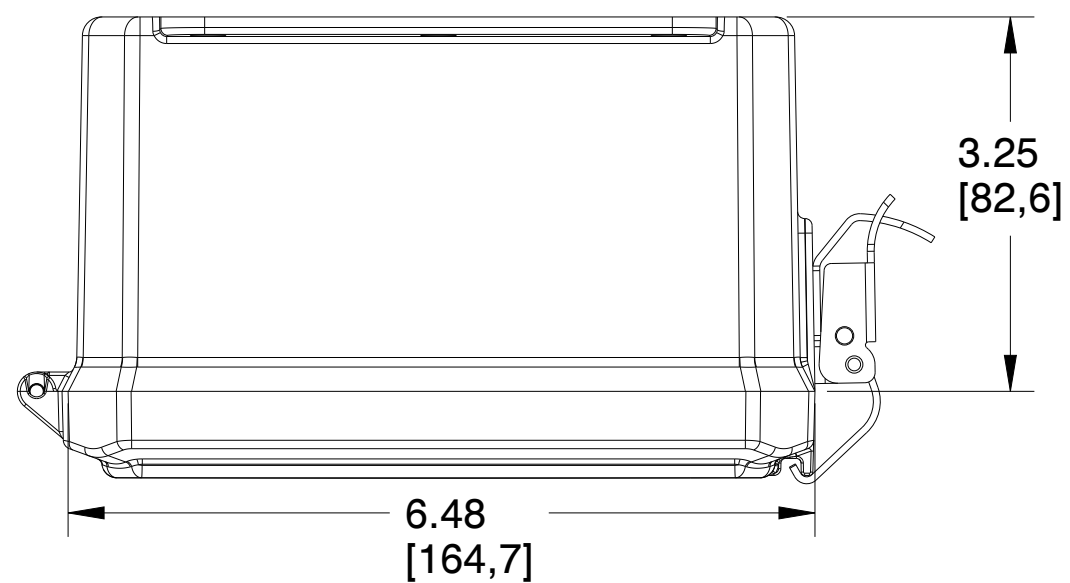
3

2

1

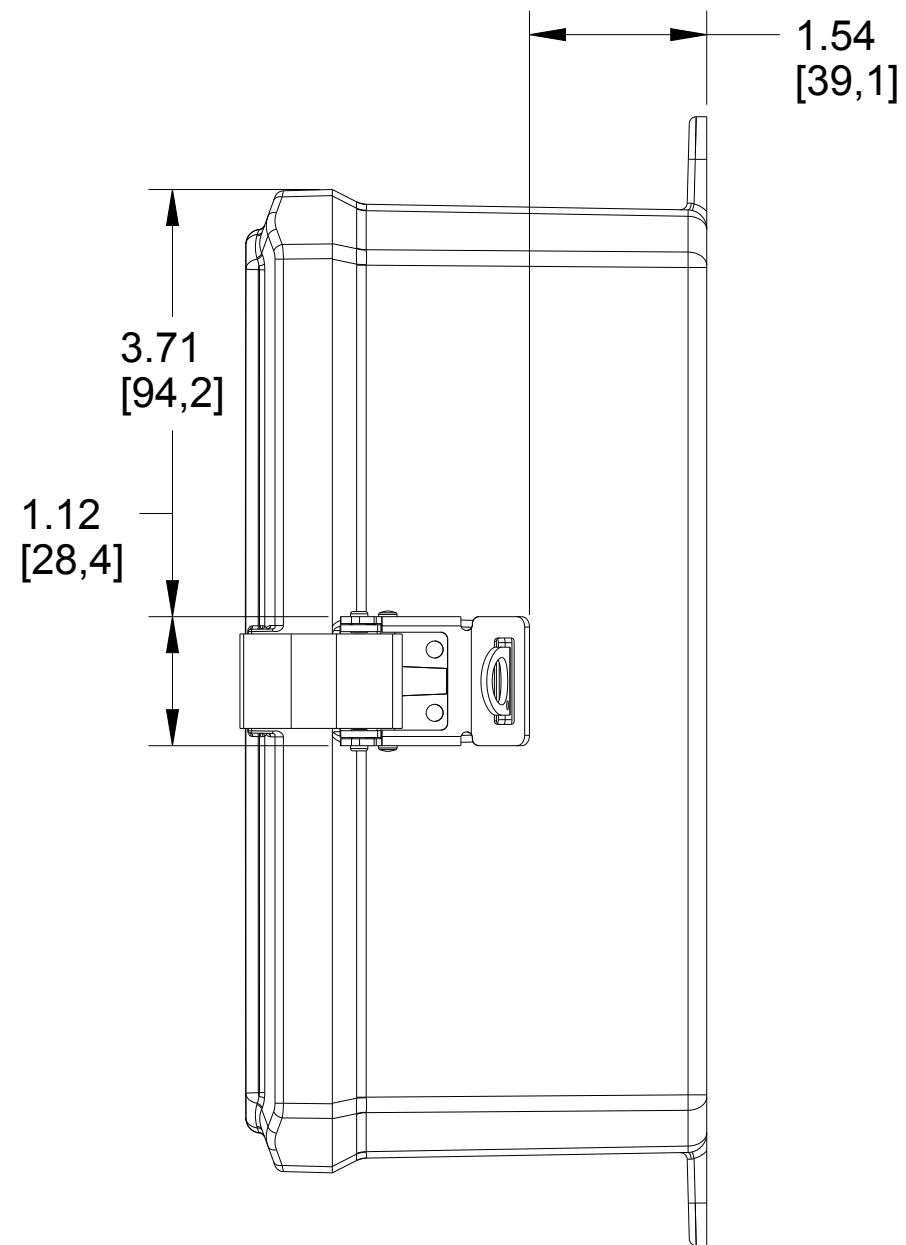
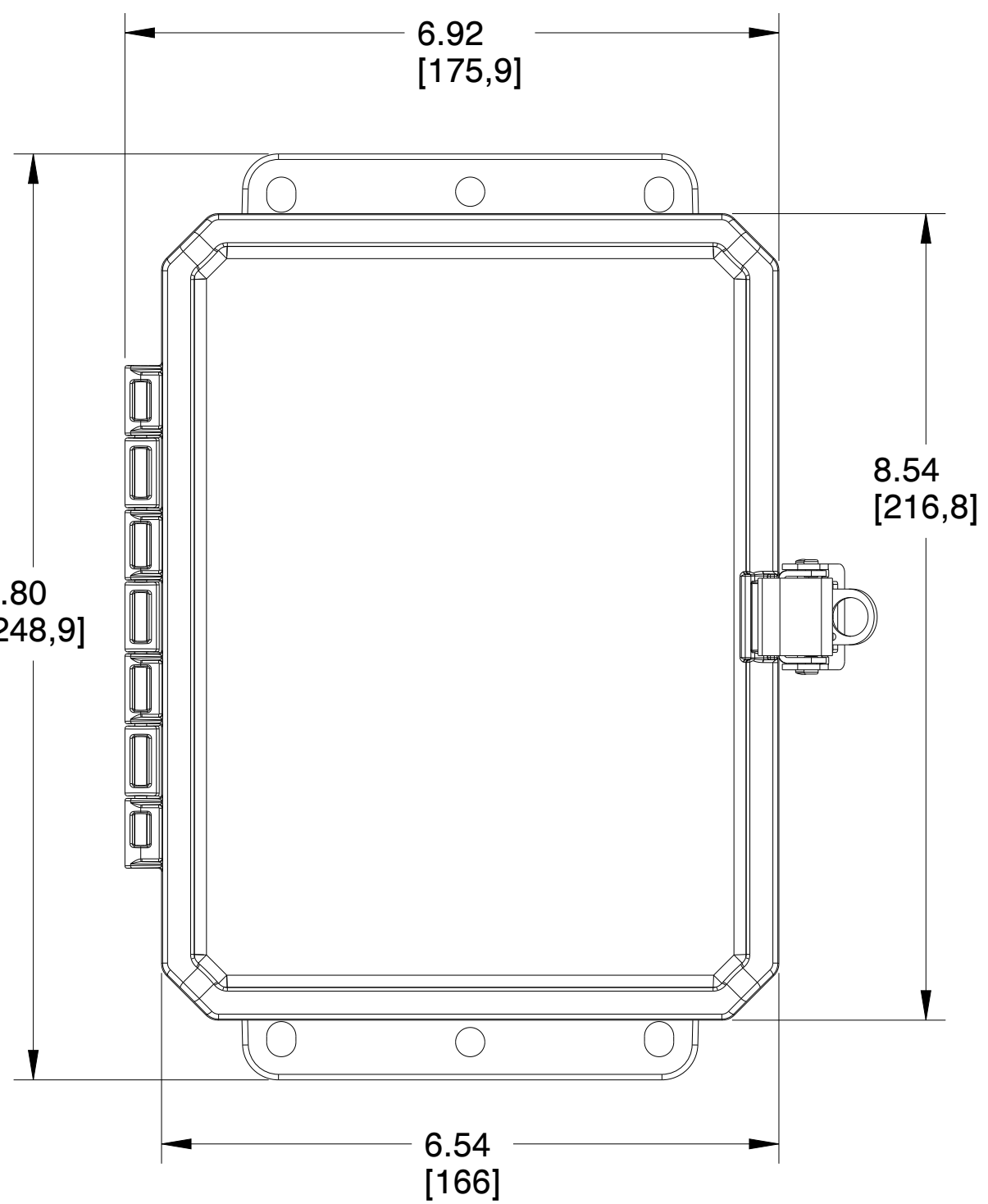
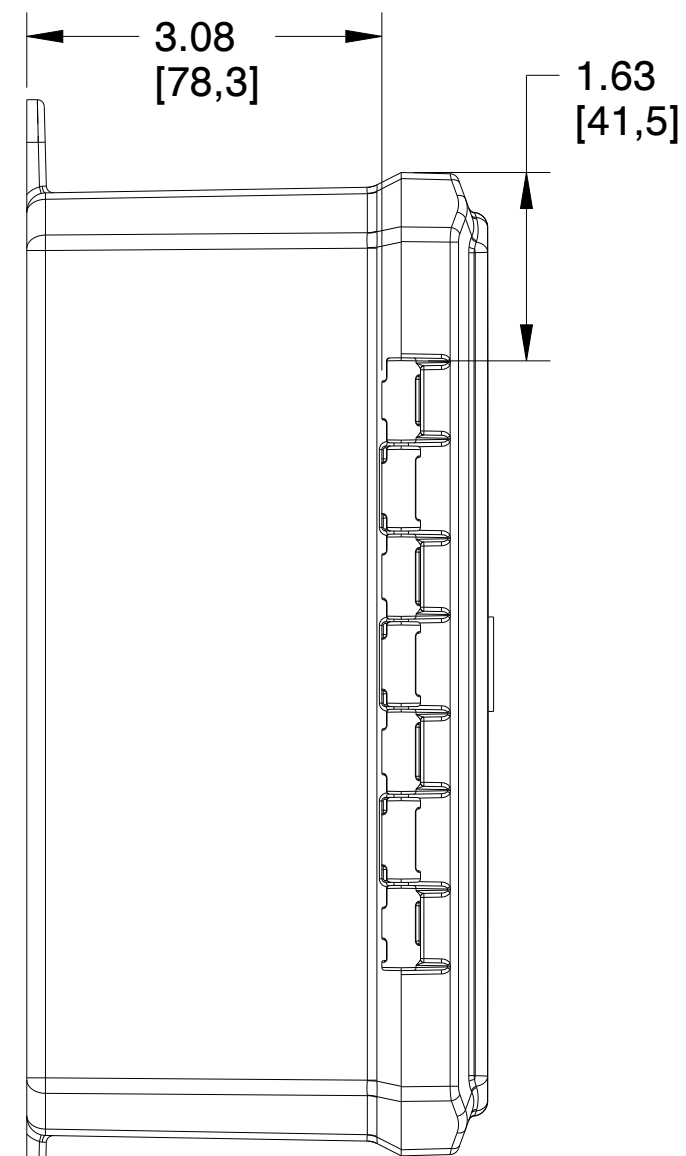
D

D



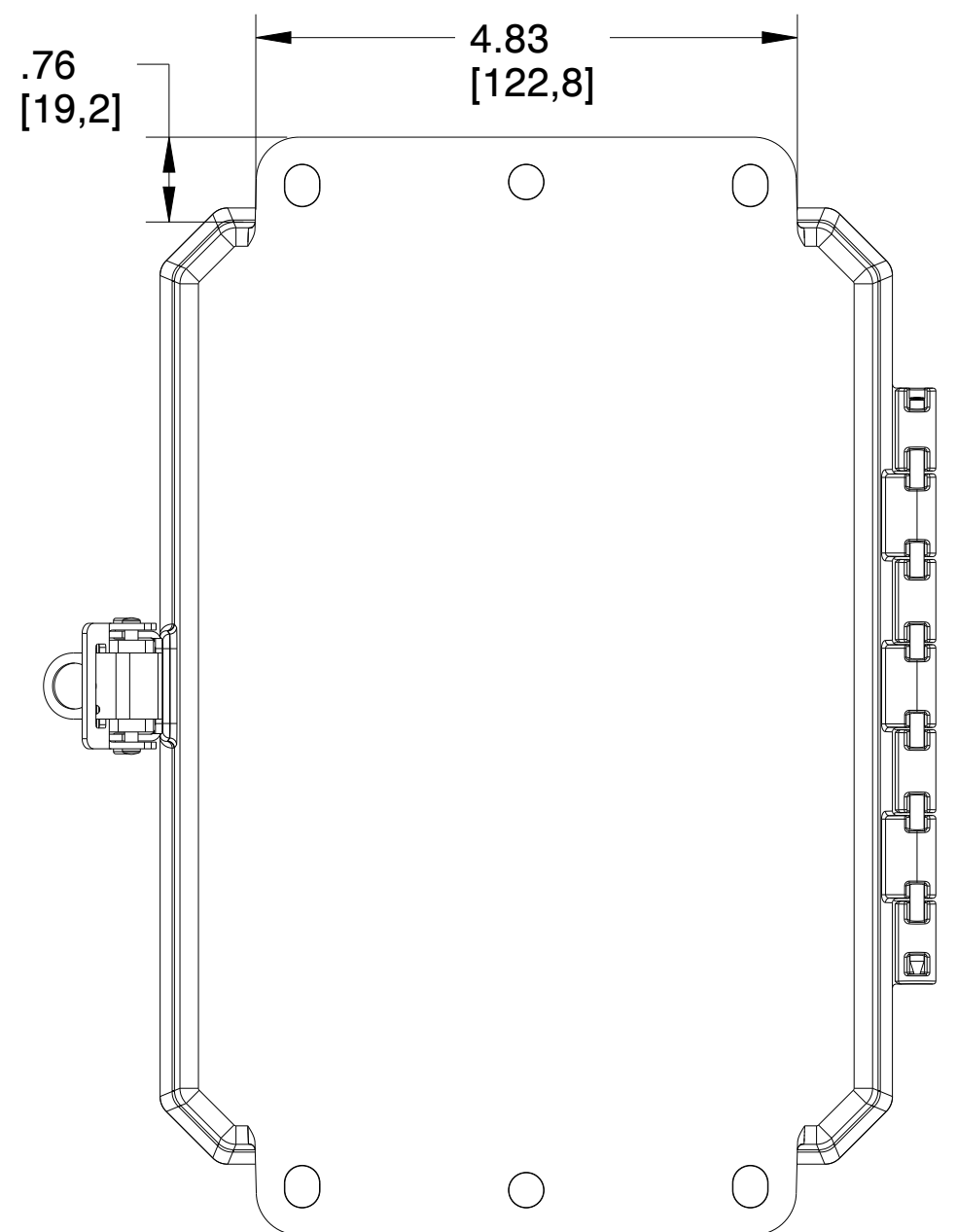
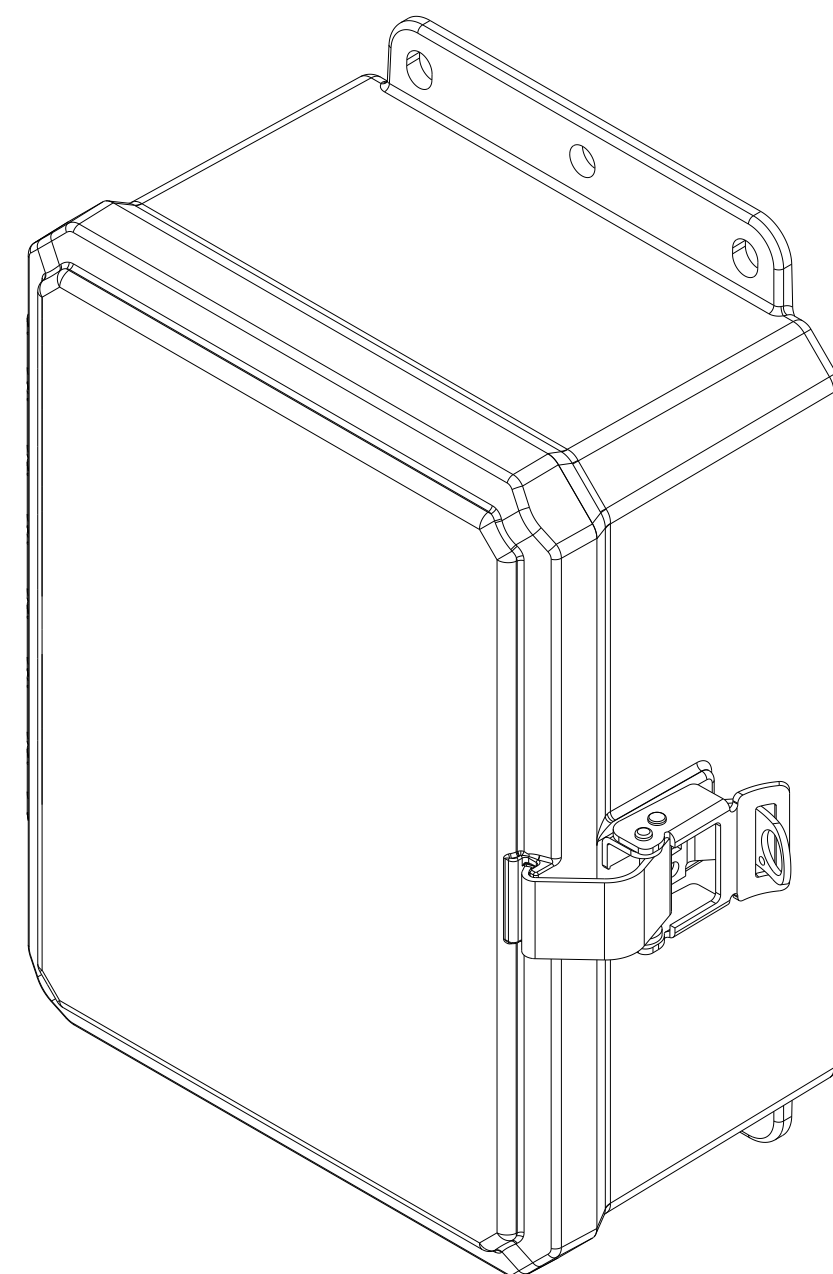
C

C



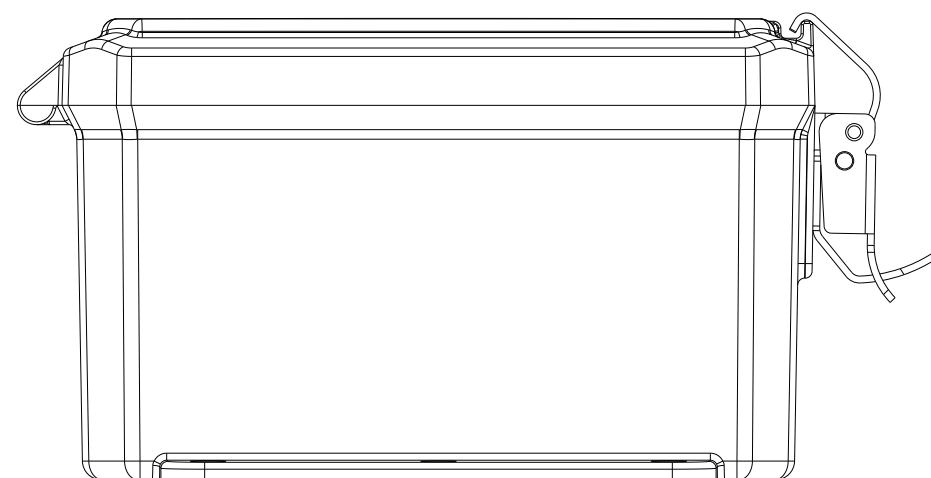
B

B



A

A



4

3

2

1

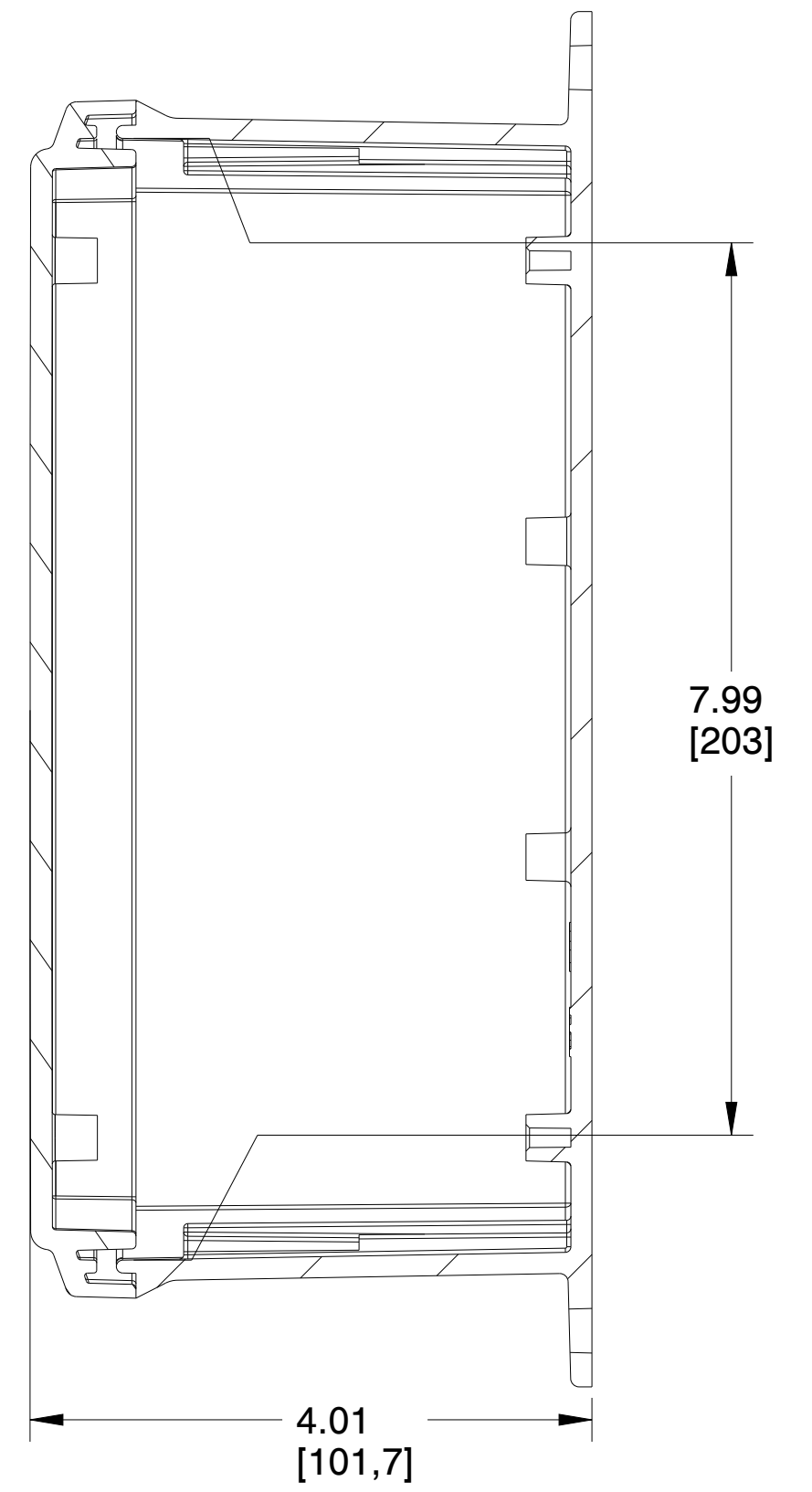
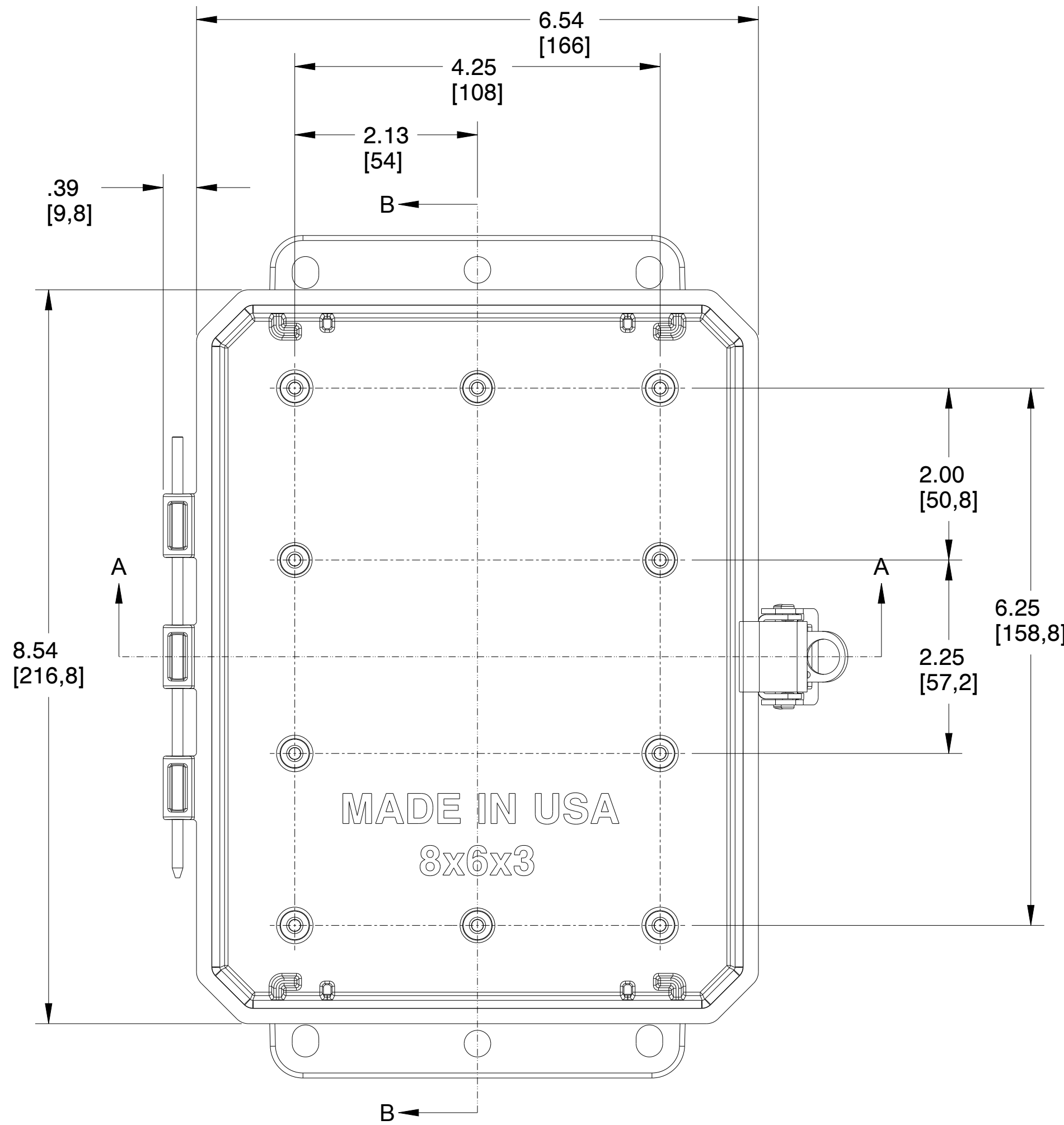


MUM INDUSTRIES  
8989 TYLER BLVD  
MENTOR, OHIO, U.S.A.  
(440) 269-8155 FAX (440) 269-8166

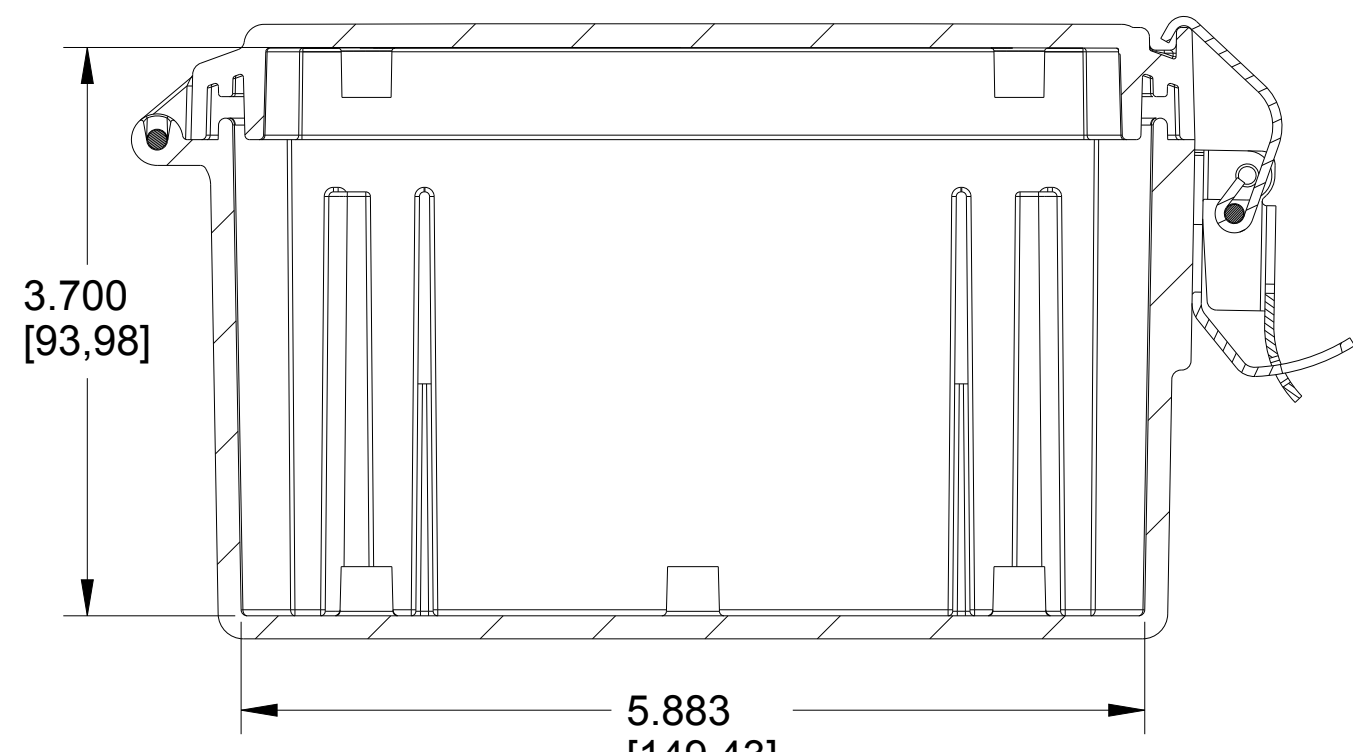
SCALE 0.600	SHEET 1 of 2	DRAWN BY T.PAUL
TITLE IMP-8X6X3-LOW-PROF-LL		
DATE 08.03.2021	DRAWING NUMBER P8063LPLL	REV A

UNLESS OTHERWISE SPECIFIED:  
DIMENSIONS ARE IN INCHES (mm)  
AND ARE NOMINAL ONLY

PROPRIETARY AND CONFIDENTIAL:  
THE INFORMATION CONTAINED IN THIS  
DRAWING IS THE SOLE PROPERTY OF  
INTEGRA ENCLOSURES. ANY  
REPRODUCTION IN PART OR AS A  
WHOLE WITHOUT THE WRITTEN  
PERMISSION OF INTEGRA  
ENCLOSURES IS PROHIBITED.



SECTION B-B



SECTION A-A

		MUM INDUSTRIES 8989 TYLER BLVD MENTOR, OHIO, U.S.A. (440) 269-8155 FAX (440) 269-8166	
SCALE 0.800	SHEET 2 of 2	DRAWN BY T.PAUL	
TITLE IMP-8X6X3-LOW-PROF-LL			
DATE 08.03.2021	DRAWING NUMBER P8063LP LL	REV A	

UNLESS OTHERWISE SPECIFIED:  
DIMENSIONS ARE IN INCHES (mm)  
AND ARE NOMINAL ONLY.  
PROPRIETARY AND CONFIDENTIAL:  
THE INFORMATION CONTAINED IN THIS  
DRAWING IS THE SOLE PROPERTY OF  
INTEGRA ENCLOSURES. ANY  
REPRODUCTION IN PART OR AS A  
WHOLE WITHOUT THE WRITTEN  
PERMISSION OF INTEGRA  
ENCLOSURES IS PROHIBITED.