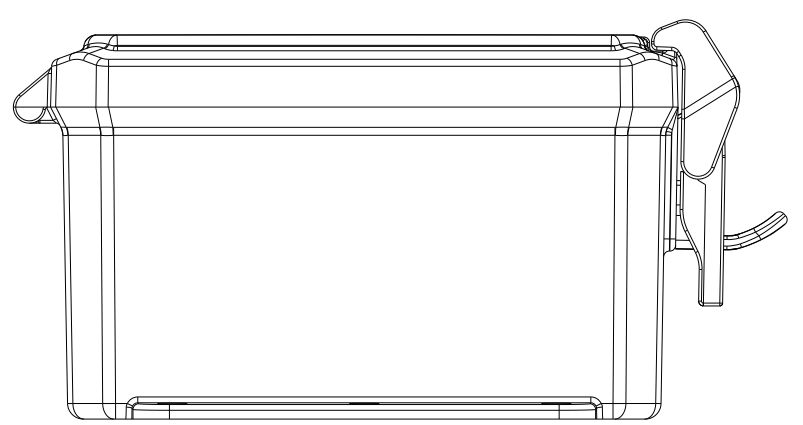
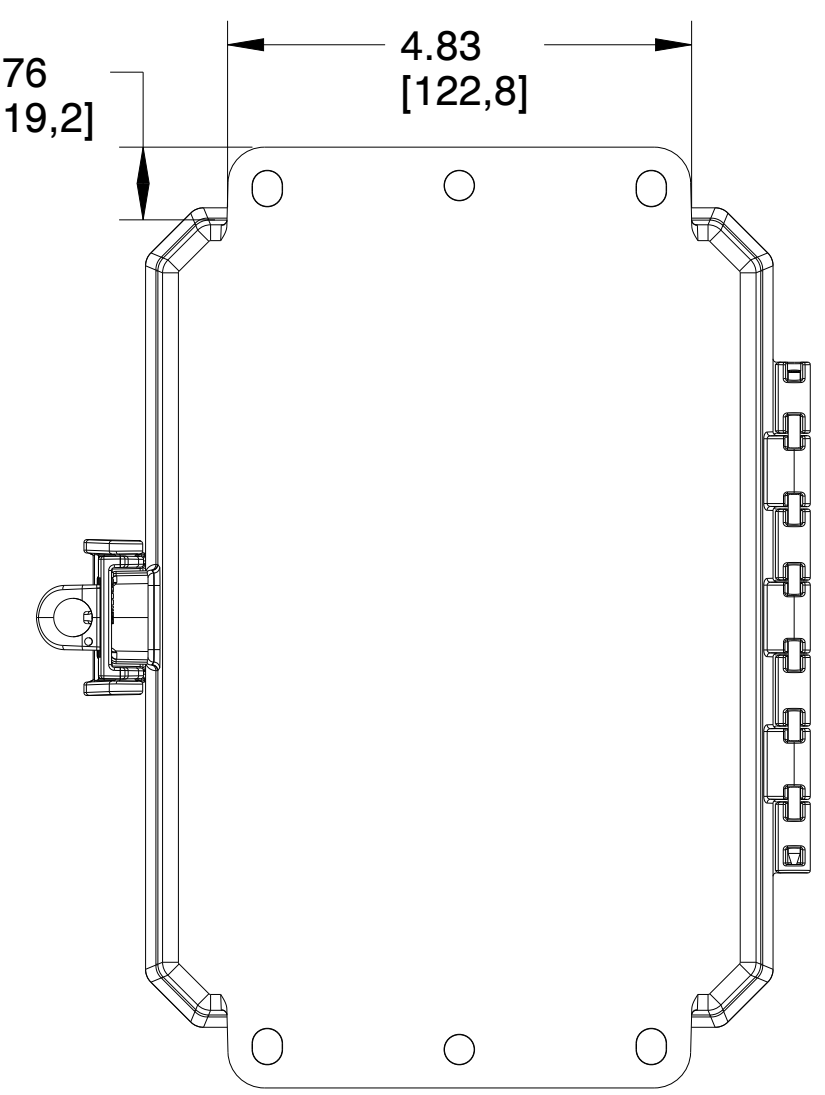
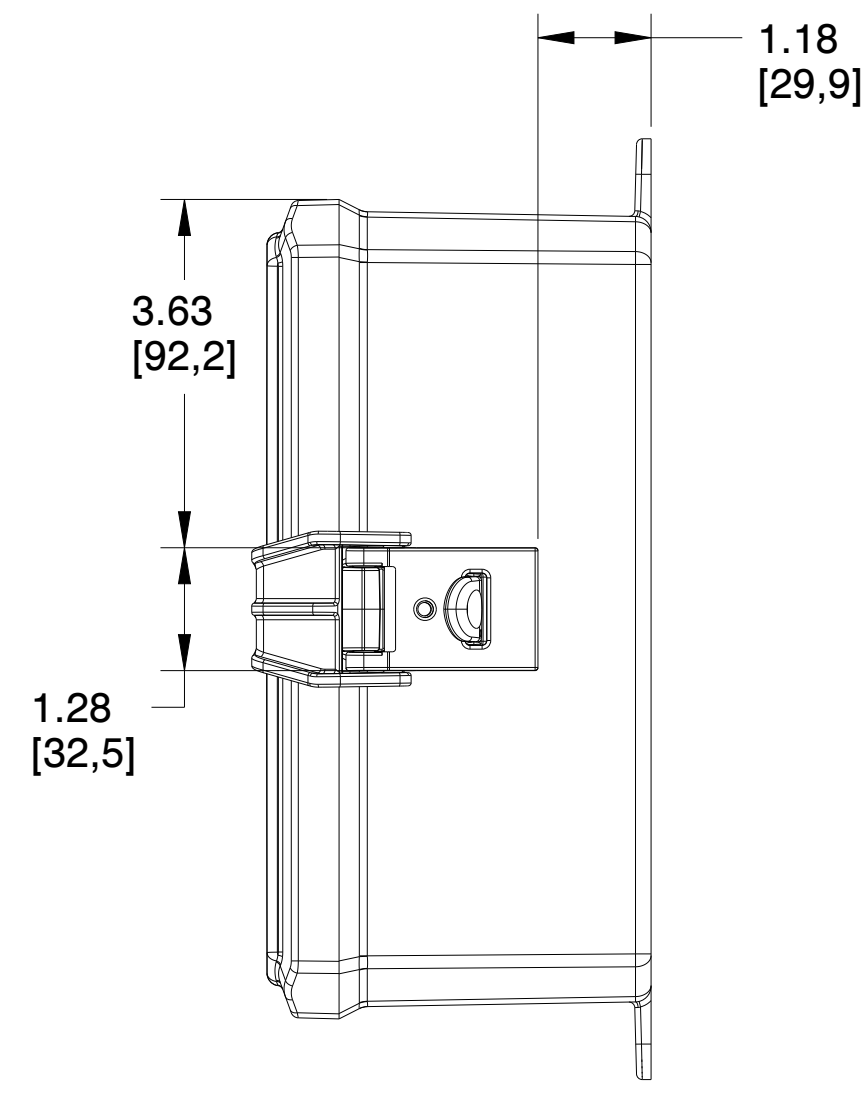
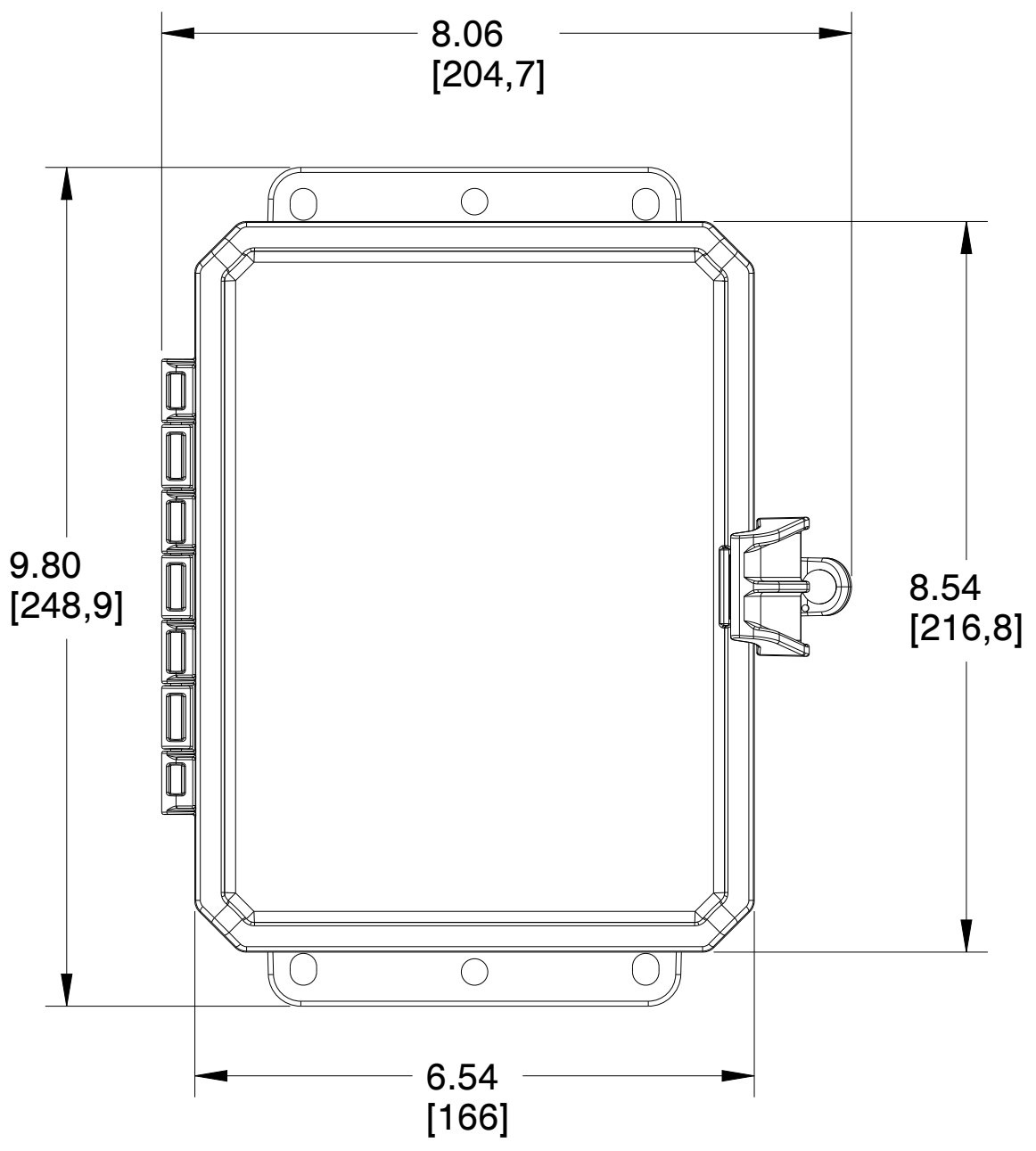
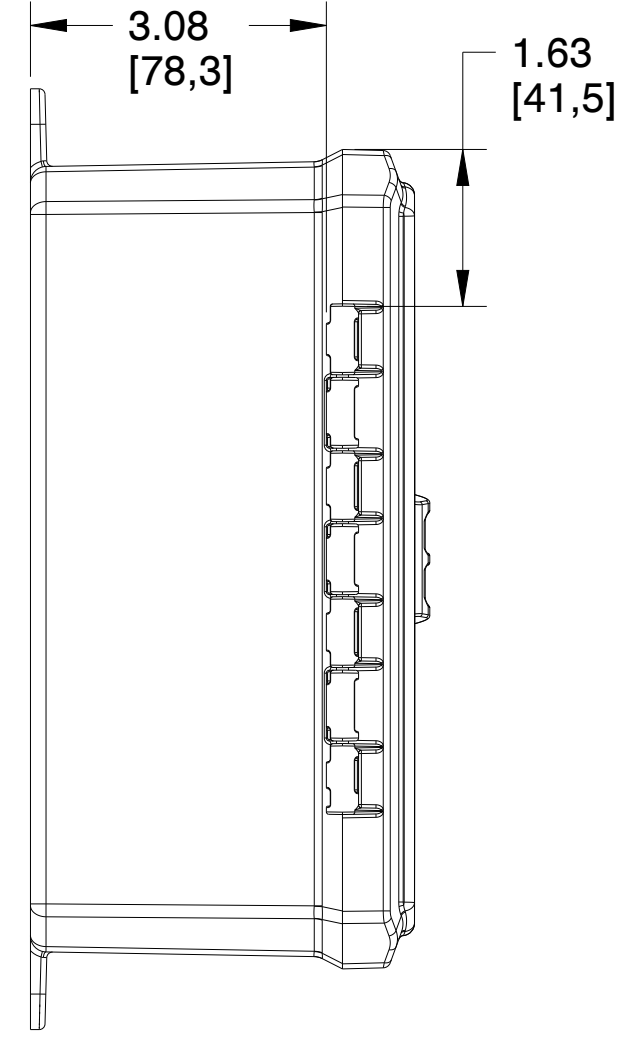
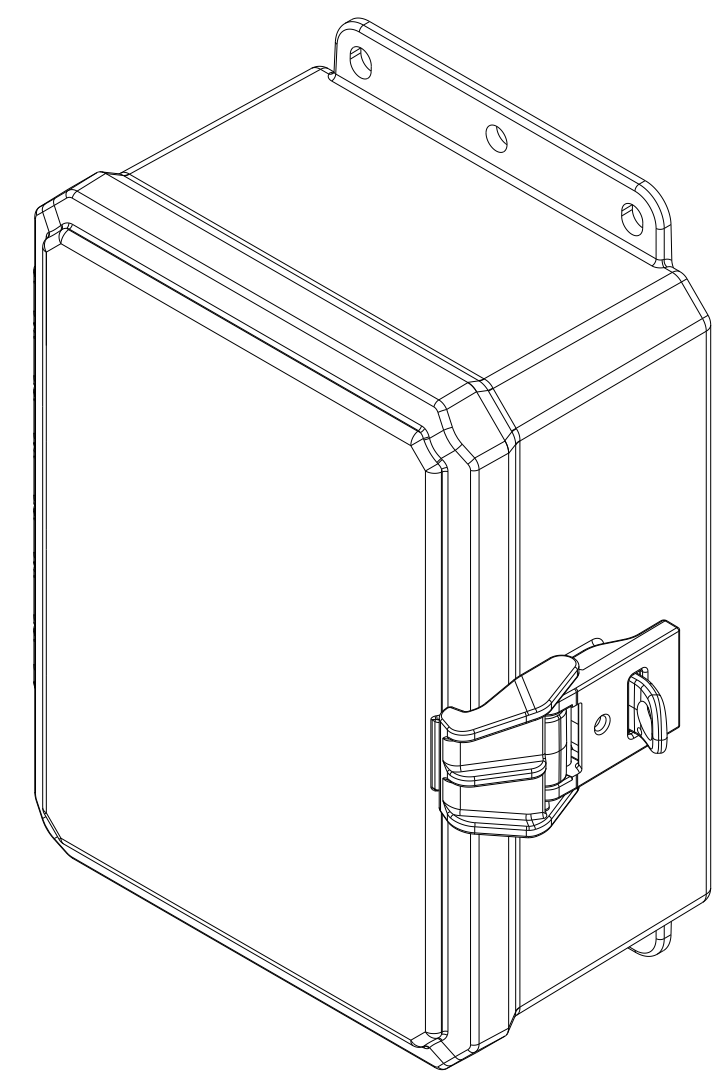
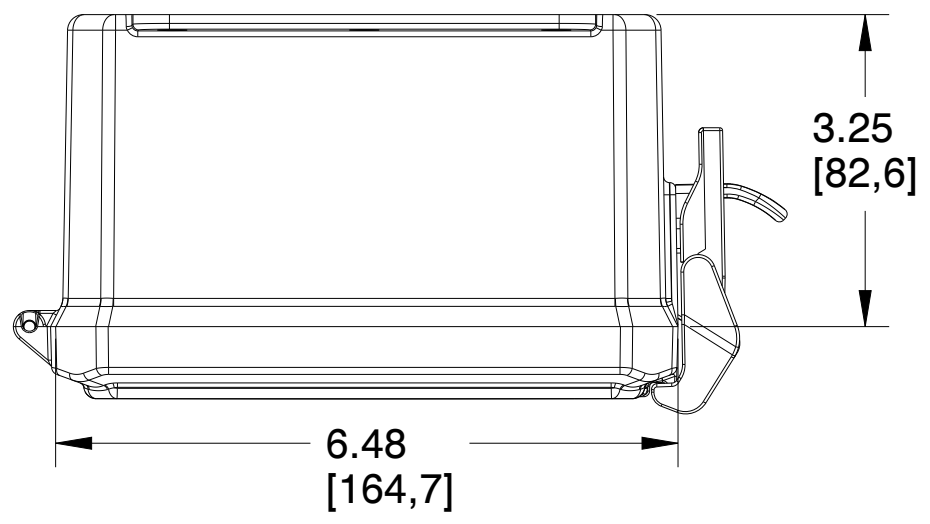


4

3

2

1



**INTEGRA ENCLOSURES**  
MUM INDUSTRIES  
8989 TYLER BLVD  
MENTOR, OHIO, U.S.A.  
(440) 269-8155 FAX (440) 269-8166

SCALE: 0.600 SHEET: 1 of 2 DRAWN BY: M.HARTEN

TITLE: IMP-8X6X3-LPH-GRY-NML

DATE: 03.14.2022 DRAWING NUMBER: P8063LPNL REV: A

UNLESS OTHERWISE SPECIFIED:  
DIMENSIONS ARE IN INCHES (mm)  
AND ARE NOMINAL ONLY.  
PROPRIETARY AND CONFIDENTIAL:  
THE INFORMATION CONTAINED IN THIS  
DRAWING IS THE SOLE PROPERTY OF  
INTEGRA ENCLOSURES. ANY  
REPRODUCTION IN PART OR AS A  
WHOLE WITHOUT THE WRITTEN  
PERMISSION OF INTEGRA  
ENCLOSURES IS PROHIBITED.

4

3

2

1

D

D

C

C

B

B

A

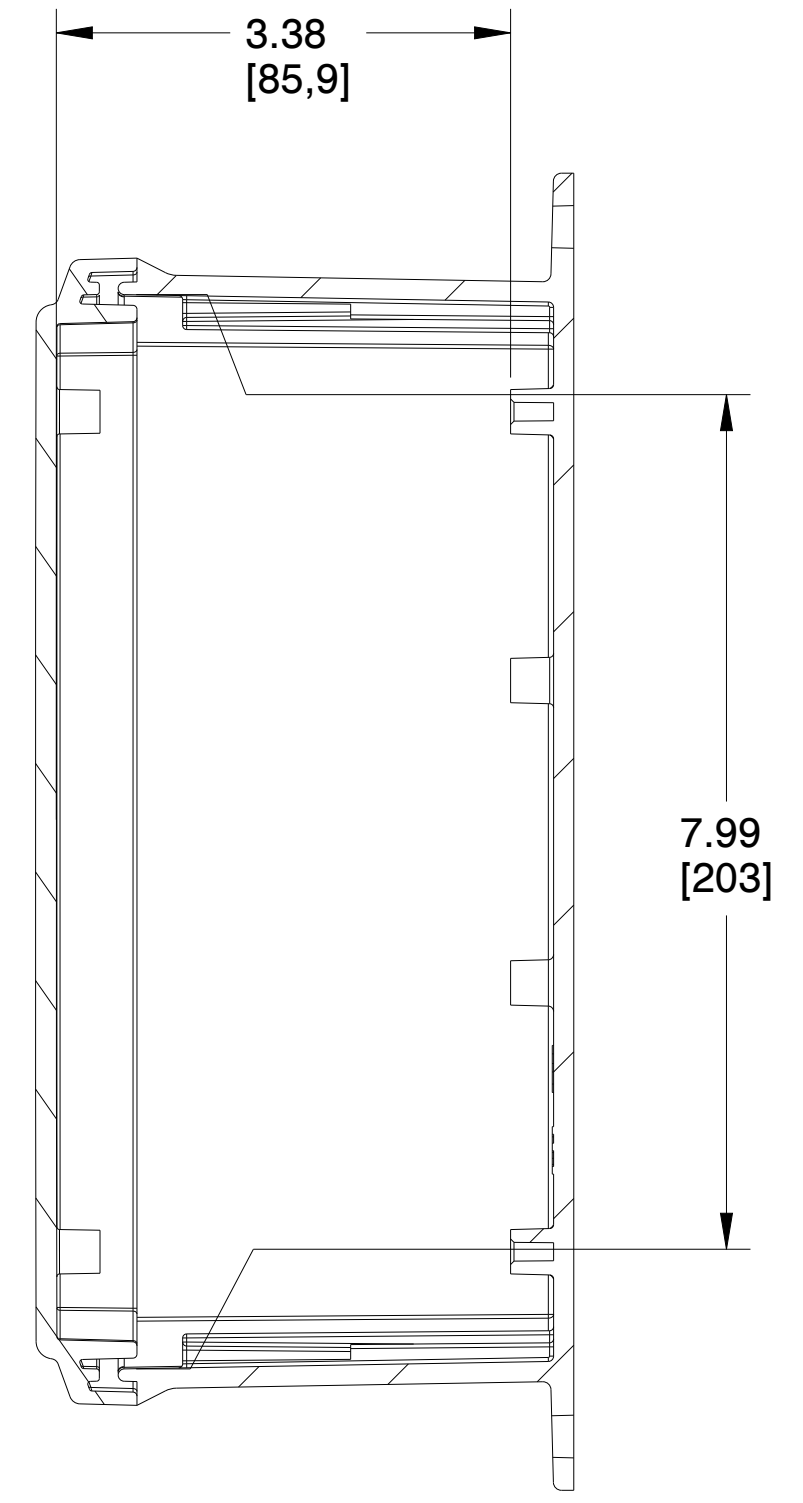
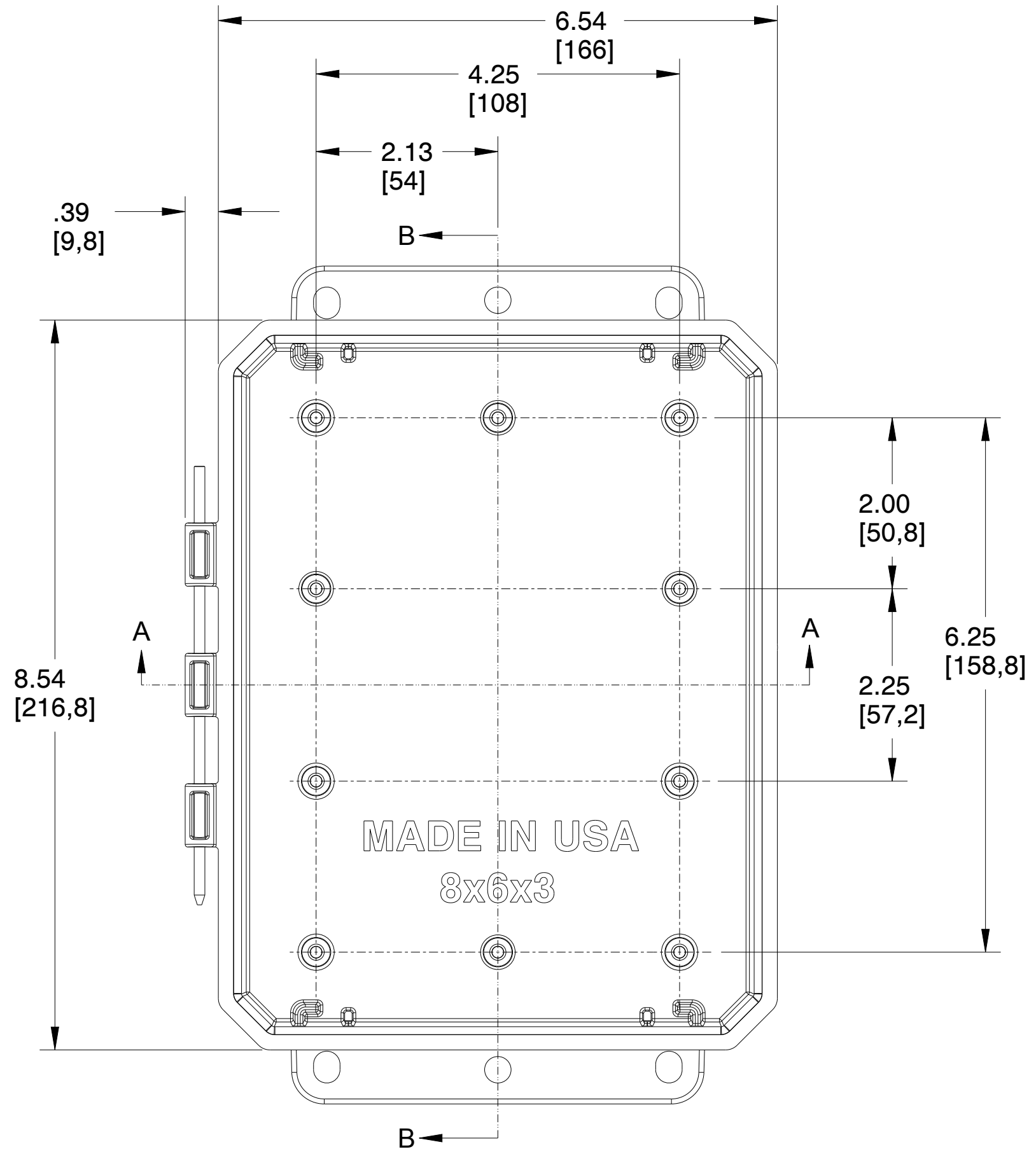
A

4

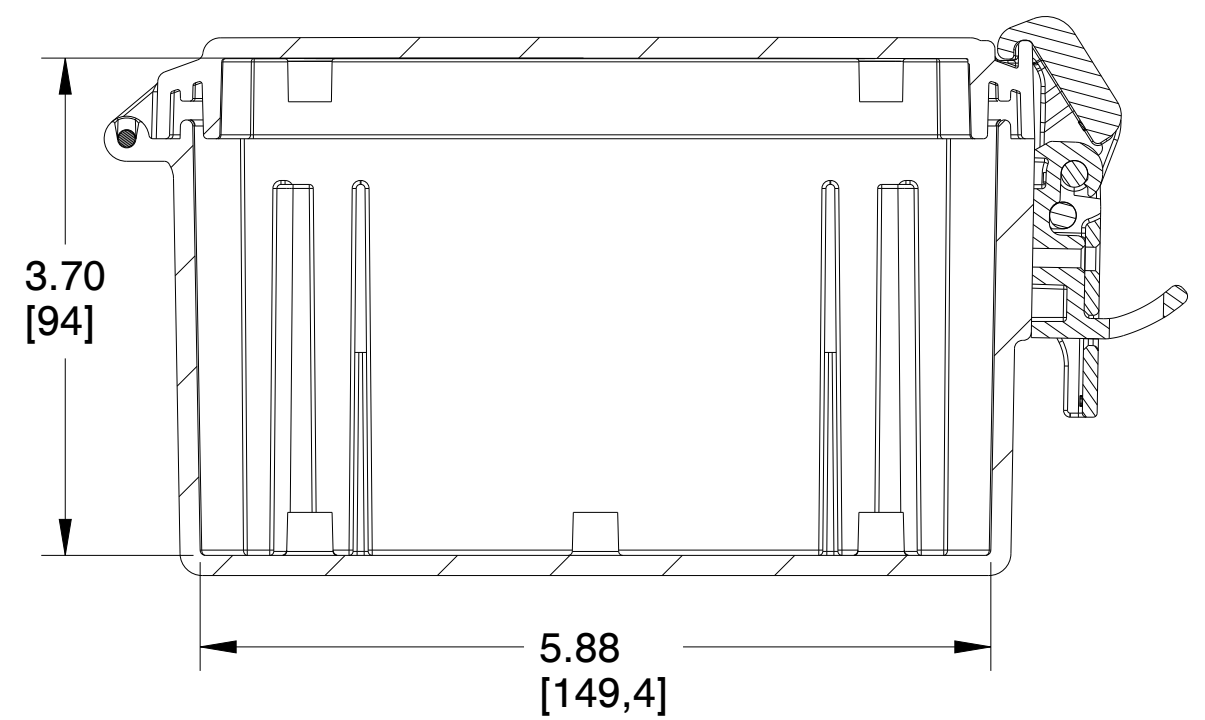
3

2

1



SECTION B-B



SECTION A-A

|                       |                |  |  |
|-----------------------|----------------|--|--|
|                       |                | MUM INDUSTRIES<br>8989 TYLER BLVD<br>MENTOR, OHIO, U.S.A.<br>(440) 269-8155 FAX (440) 269-8166 |  |
| SCALE                 | SHEET          | DRAWN BY   |  |
| 0.600                 | 2 of 2         | M.HARTEN   |  |
| TITLE                 |                |  |  |
| IMP-8X6X3-LPH-GRY-NML |                |  |  |
| DATE                  | DRAWING NUMBER | REV  |  |
| 03.14.2022            | P8063LPNL      | A  |  |

UNLESS OTHERWISE SPECIFIED:  
DIMENSIONS ARE IN INCHES (mm)  
AND ARE NOMINAL ONLY.

PROPRIETARY AND CONFIDENTIAL:  
THE INFORMATION CONTAINED IN THIS  
DRAWING IS THE SOLE PROPERTY OF  
INTEGRA ENCLOSURES. ANY  
REPRODUCTION IN PART OR AS A  
WHOLE WITHOUT THE WRITTEN  
PERMISSION OF INTEGRA  
ENCLOSURES IS PROHIBITED.

4

3

2

1