

4

3

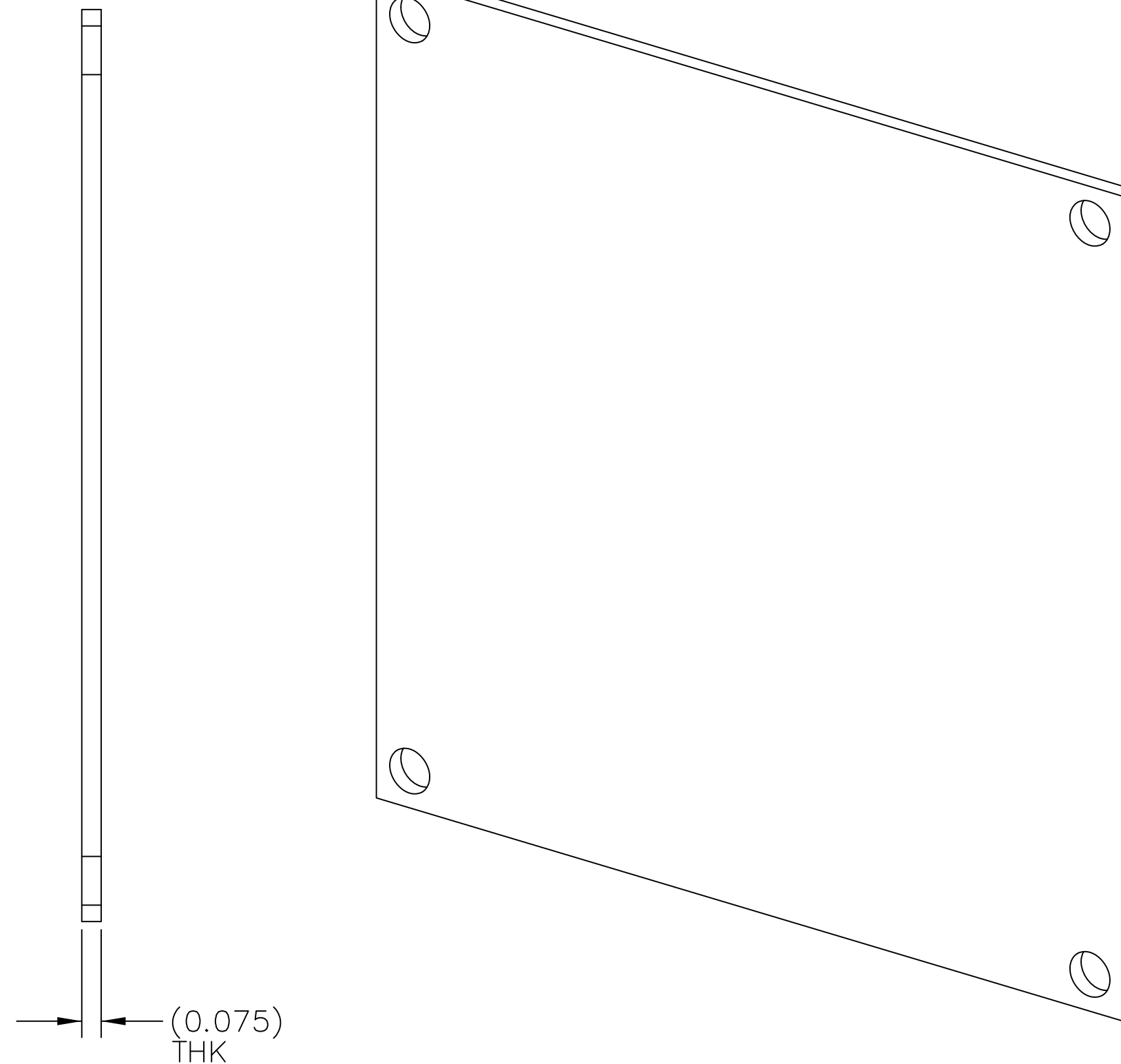
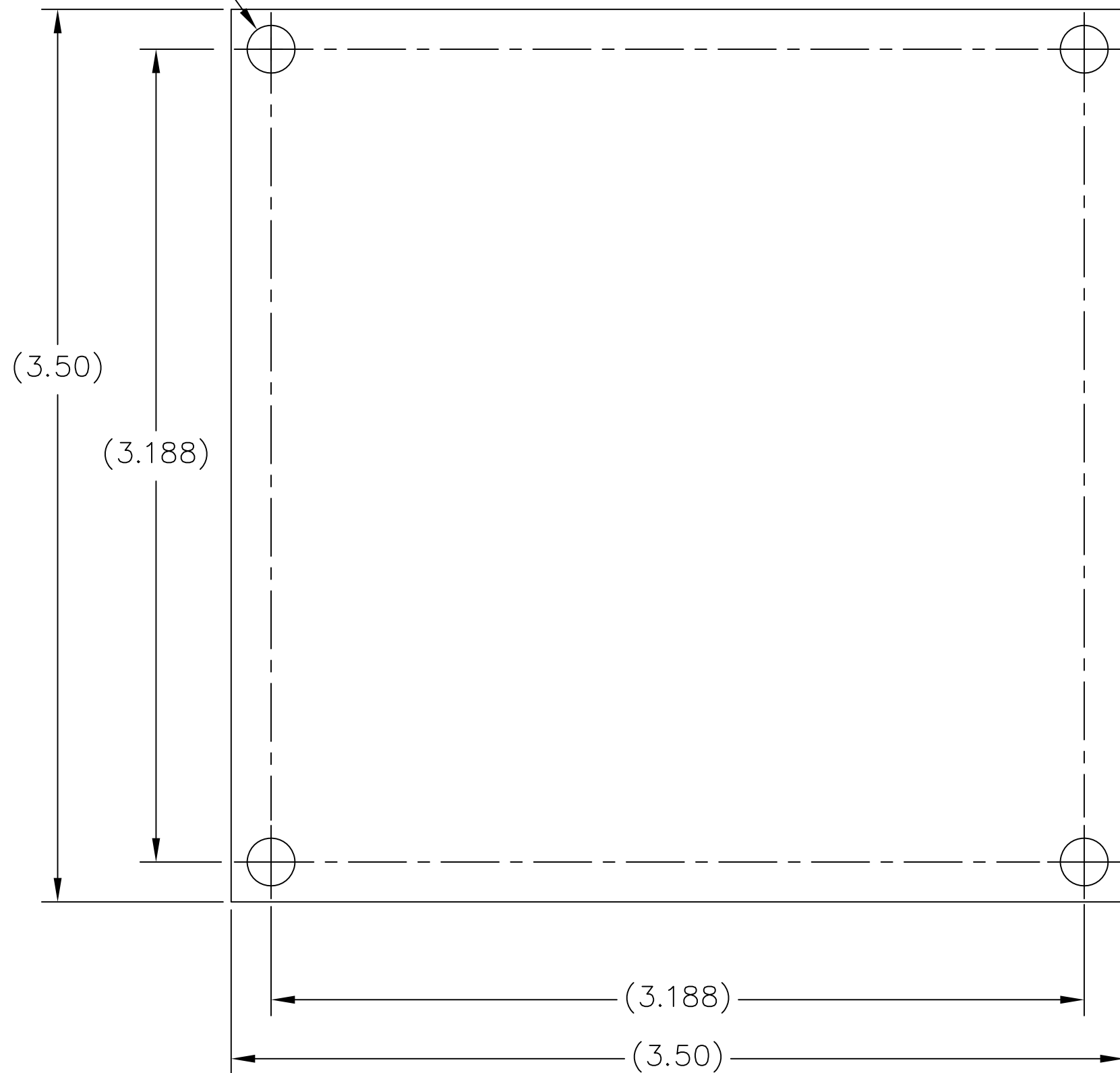
2

1

D

D

4X (∅0.187)  
THRU



C

C

B

B

A

A

NOTES:  
 1. MATERIAL: CARBON STEEL, 14GA (0.0747) THK  
 2. FINISH: POWDER COATED WHITE

					<b>INTEGRA ENCLOSURES</b> <small>MUM INDUSTRIES        8989 TYLER BLVD        MENTOR, OHIO, U.S.A.        (440) 269-8155        (440) 269-8166 FAX</small>		
DEFAULT TOLERANCES DECIMAL .XX ± 0.03 .XXX ± 0.010 FRACTIONAL ± 1/16 ANGULAR ± 5°			SCALE 2.000	SHEET 1 of 1	DRAWN BY W.TIDWELL	TITLE PANEL-BACK-IMP-4X4-PS	
A REV	CONVERTED FROM PNL44A-104 REV A DESCRIPTION	TLS BY	07.08.19 DATE	2019-058 ECN NO.	DATE 08.30.16	DRAWING NUMBER PNL44S-104	REV A

4

3

2

1