

4

3

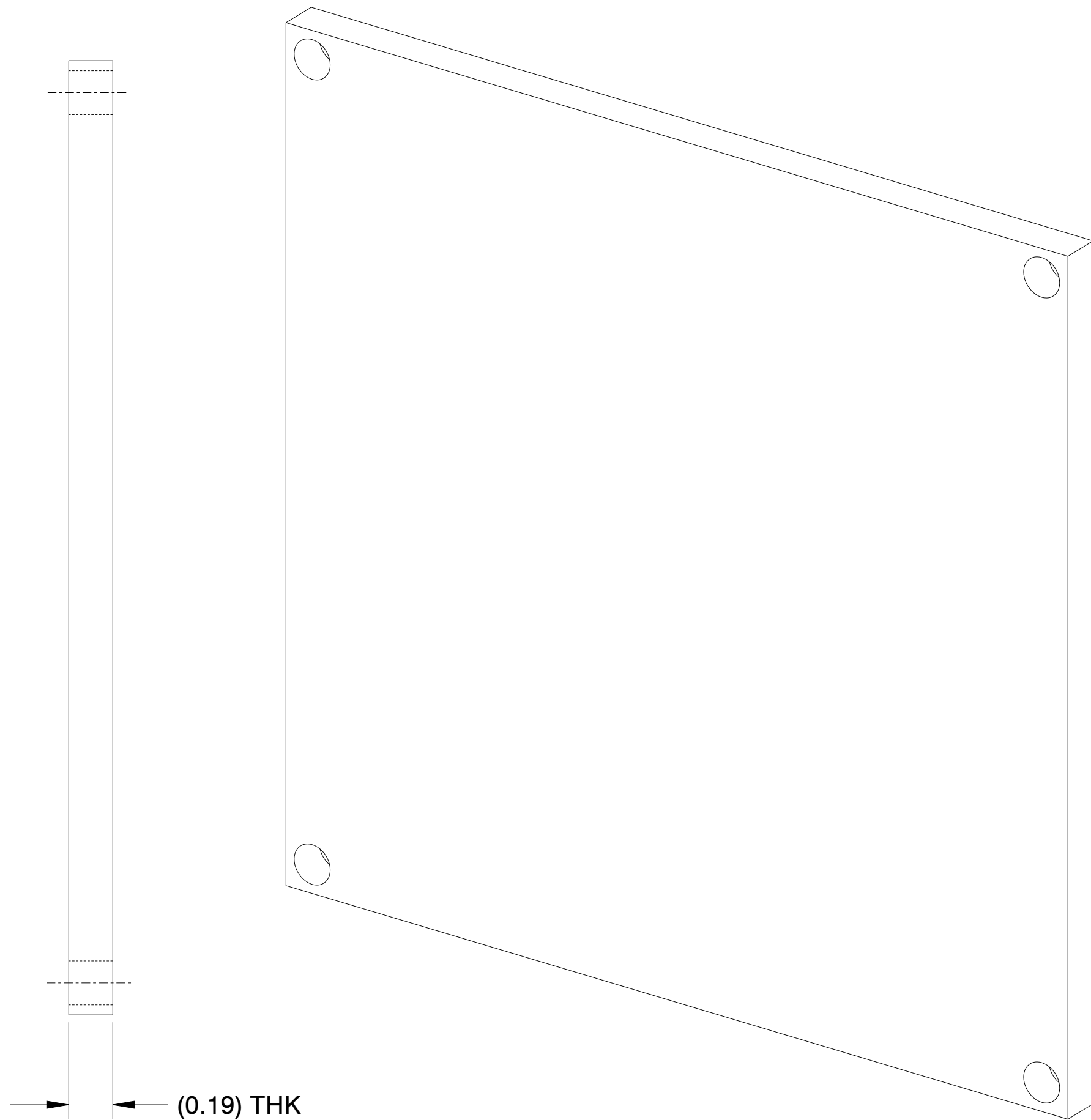
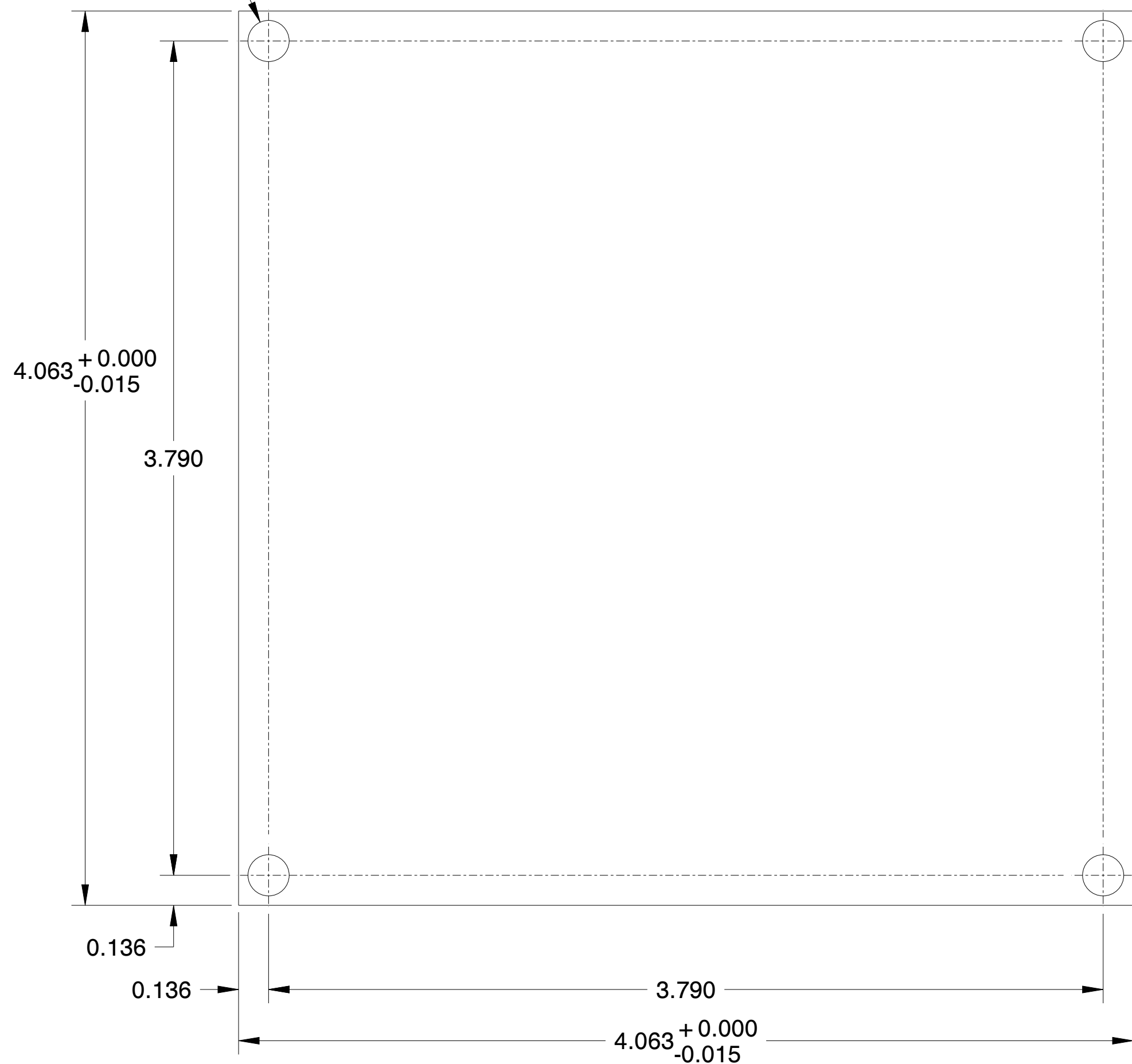
2

1

D

D

4X Ø 0.187 THRU



C

B

A

NOTES:

- 1. MATERIAL: PVC, GRAY, 3/16" THICK
- 2. FINISH: SMOOTH
- 3. NO SCRATCHES, GOUGES OR TOOL MARKS PERMITTED
- 4. DEBURR ALL HOLES AND SMOOTH SHARP EDGES

				DEFAULT TOLERANCES DECIMAL .XX ± 0.03 .XXX ± 0.010 FRACTIONAL ± 1/16 ANGULAR ± 5°				MUM INDUSTRIES 8989 TYLER BLVD MENTOR, OHIO, U.S.A. (440) 269-8155 FAX (440) 269-8166	
				SCALE	2.000	SHEET	1 of 1	DRAWN BY T.STOKES	
				TITLE PANEL-BACK-4.06"X4.06"X.188"					
				DATE	07.08.19	DRAWING NUMBER		PNLB55PV-104	
REV	DESCRIPTION	BY	DATE	ECN NO.					REV
A	CONVERTED FROM PNL55PVC-104	TLS	07.08.19	2019-058					A

4

3

2

1

A