

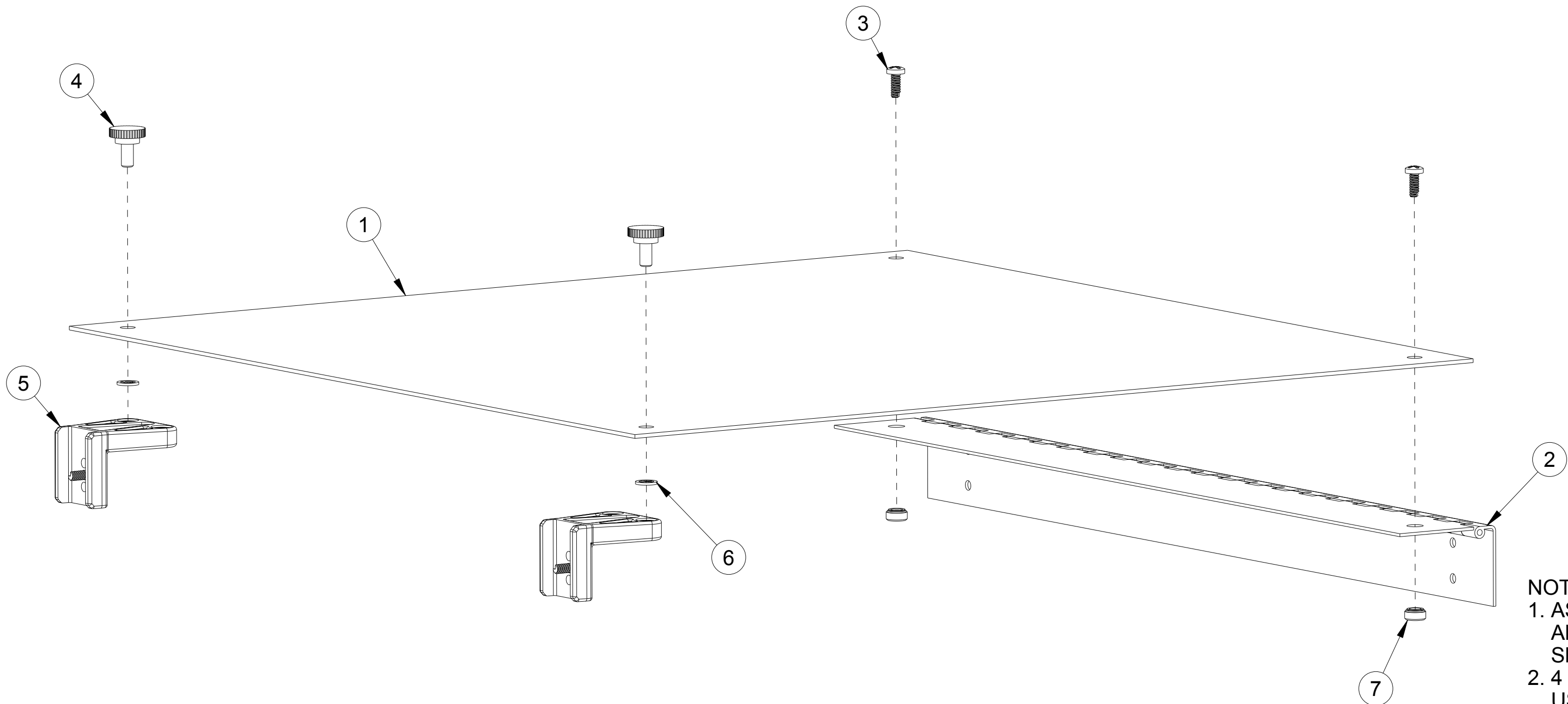
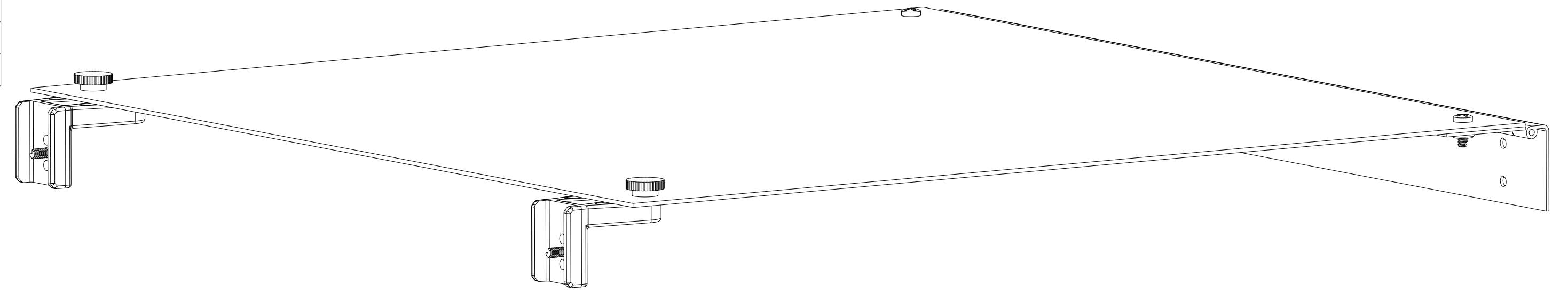
4

3

2

1

ITEM NO.	DESCRIPTION	QTY.
1.	PANEL	1
2.	HINGE	1
3.	PAN HEAD SCREW	2
4.	THUMB SCREW	2
5.	PANEL PAD KIT	2
6.	WASHER	2
7.	SELF CLINCHING NUT	2



NOTES:
 1. ASSEMBLY THE SAME FOR ABP-2016-GSOPK, ABP-2424-GSOPK, SBP-2016-GSOPK AND SBP-2424-GSOPK
 2. 4 ADDITIONAL PAN HEAD SCREWS ARE USED TO MOUNT HINGE TO ENCLOSURE

		MUM INDUSTRIES 8989 TYLER BLVD MENTOR, OHIO, U.S.A. (440) 269-8155 FAX (440) 269-8166
SCALE	SHEET	DRAWN BY
0.500	1 OF 1	M. CONSTABLE
TITLE		
GENERIC GENESIS SWING PANEL KIT		
DATE	DRAWING NUMBER	REV
11.10.2021	XBP-XXXX-GSOPK	A

UNLESS OTHERWISE SPECIFIED:
 DIMENSIONS ARE IN INCHES (mm)
 AND ARE NOMINAL ONLY

PROPRIETARY AND CONFIDENTIAL:
 THE INFORMATION CONTAINED IN THIS
 DRAWING IS THE SOLE PROPERTY OF
 INTEGRA ENCLOSURES. ANY
 REPRODUCTION IN PART OR AS A
 WHOLE WITHOUT THE WRITTEN
 PERMISSION OF INTEGRA
 ENCLOSURES IS PROHIBITED.

4

3

2

1