

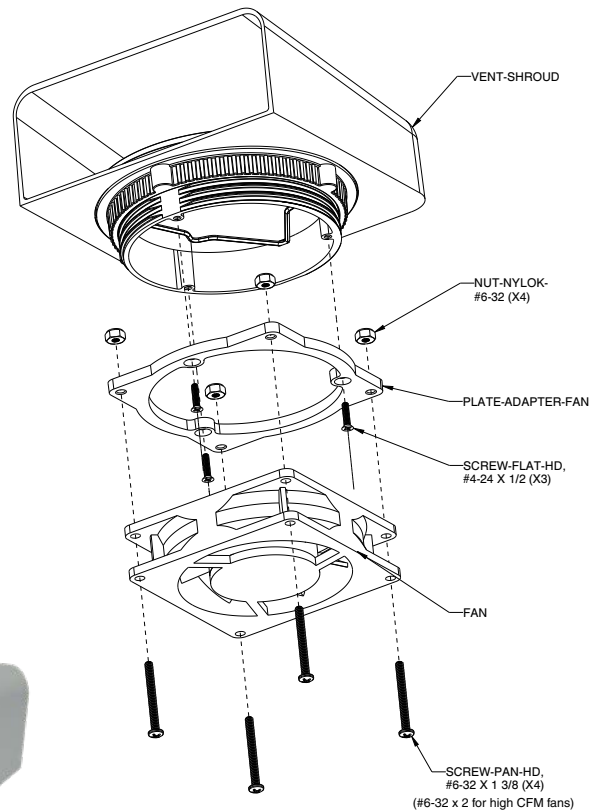
FORCED AIR FANS



Keep your electronics optimally cool with an Fan Shroud kit! Easily installed on any Integra enclosure. Fan Shrouds can be installed as a stand alone ventilation source or include one of our powered fans as a forced air solution.

Forced Air Fan Kits

Part Number	Voltage	CFM	Fan Depth (in)
KIT-FAN-120VAC-30	120 VAC	Low CFM (30)	1.0
KIT-FAN-120VAC-84	120 VAC	High CFM (84)	1.5
KIT-FAN-12VDC-49	12 VDC	Low CFM (49)	1.0
KIT-FAN-12VDC-135	12 VDC	High CFM (135)	1.5
KIT-FAN-24VDC-49	24 VDC	Low CFM (49)	1.0
KIT-FAN-24VDC-135	24 VDC	High CFM (135)	1.5
KIT-FAN-48VDC-50	48 VDC	Low CFM (50)	1.0
KIT-FAN-48VDC-135	48 VDC	High CFM (135)	1.5



Each Fan Kit Includes:

- Vent Shroud (Gasket Installed)
- Vent Nut
- Vent Grille
- Filter Disk
- Wire Filter Holder
- Fan Adapter Plate
- Forced Air Fan
- Flat Head Screw x3
- Pan Head Screw x4
- Hex Nut x4



TIP: When installing a forced air solution, a second Fan Shroud or Vent should be installed to allow free air movement.

Choose from multiple sizes and styles of vents from Integra!

For more information, contact sales@integraenclosures.com

