

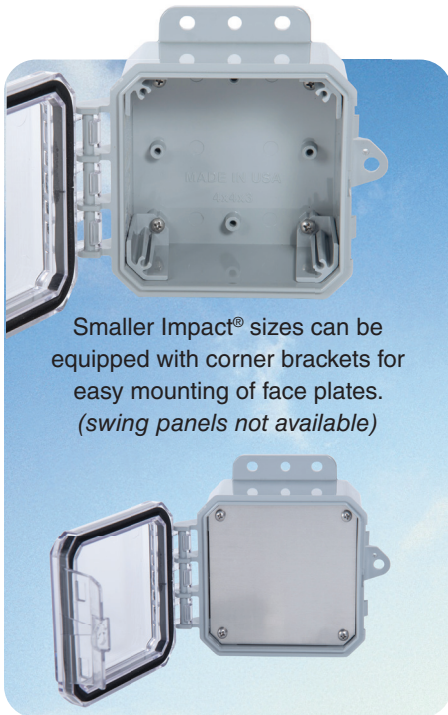


## INTEGRA'S EASY & UNIQUE SWING PANEL & FACE PLATE SYSTEM

### BENEFITS OF SWING PANEL AND FACE PLATE SYSTEM

*Smart, Simple and Easy!*

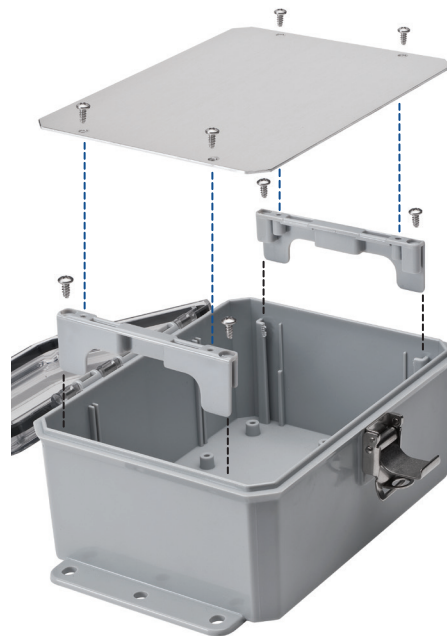
- Minimum number of parts to install
- A phillips head screwdriver is all that is needed to install either system.
- Face plates, swing panels and complete kits in stock
- Custom panels available (consult factory)



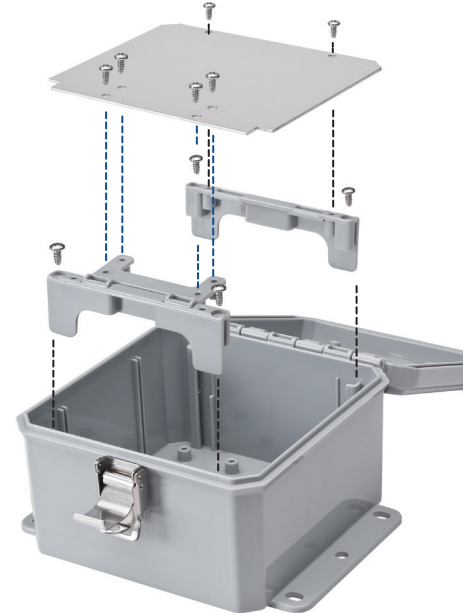
Smaller Impact® sizes can be equipped with corner brackets for easy mounting of face plates. (swing panels not available)

### EXCLUSIVELY AVAILABLE ON THE IMPACT® 6X6X3 AND 8X6X3 ENCLOSURES

Impact® Face plate Kit Assembly



Impact® Swing Panel Kit Assembly



### TWO SIMPLE STEPS...

#### FACE PLATE System

1. Install Four #8 self-tapping screws to secure the brackets to the enclosure.
2. Install Four #8 self-tapping screws to secure the face plate to brackets.

#### SWING PANEL System

1. Install Four #8 self-tapping screws to secure the brackets to the enclosure.
2. Install Four or Six (your choice) #8 self-tapping screws to secure the swing panel to the brackets.

\* Patent # 10,516,256



# SWING PANEL KITS

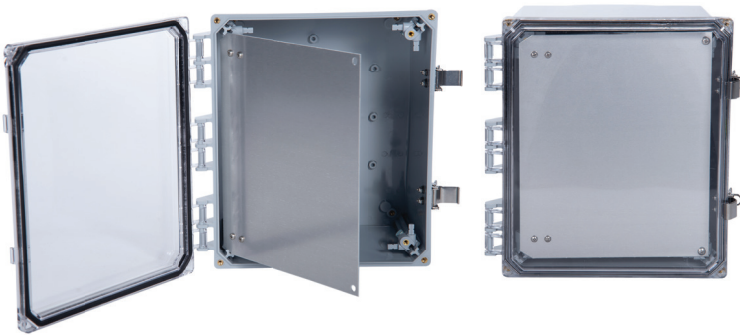
**FOR TIMES WHEN YOU NEED EASY ACCESS TO METERS, SWITCHES, READING GAUGES OR OTHER SIGNIFICANT COMPONENTS, INTEGRA'S SWING OUT PANEL KIT IS YOUR SOLUTION.**

Our advanced swing panel kits are cost-effective and designed for a quick and easy installation; panel mount brackets, hinge swing arms, hardware and the swing panel is all that is needed to quickly and cleanly install the swing panel system.

## No drilling required!

The swing panel kit provides an attractive solution for components mounted near the front of the enclosure. Swing panels can be modified to include custom machining and window kits. Swing panel kits are available for all Integra product lines.

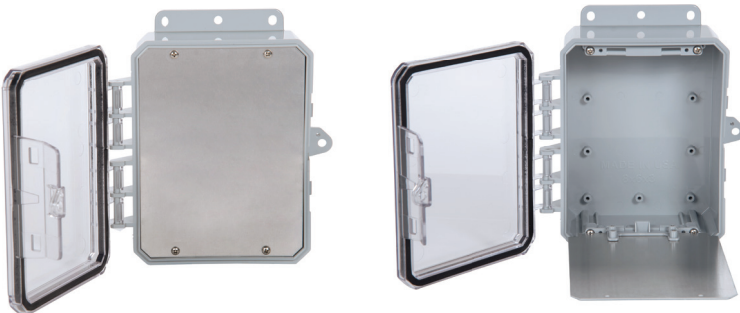
## PREMIUM SERIES



### Complete swing panel kit includes:

- Panel
  - Two hinge swing arms
  - Four panel mount brackets
  - Hardware for complete installation
- Panels and hardware for swing panel kits can also be purchased separately at any time.
  - Available in aluminum, white painted steel and PVC.
  - No drilling required!

## IMPACT® SERIES



### Complete swing panel kit includes:

- Panel
  - Two rigid brackets
  - One pivot bracket
  - 8 self-tapping screws
- Panels and hardware for swing panel kits can also be purchased separately at any time.
  - Available in aluminum, white painted steel and PVC.
  - P10084 and larger use Premium Series mounting style.

## GENESIS SERIES



### Complete swing panel kit includes:

- Panel
  - Hinge for swing panel
  - Hardware for complete installation
- Panels and hardware for swing panel kits can also be purchased separately at any time.
  - Full Piano Hinge supports weight of larger enclosure applications.
  - Available in aluminum, white painted steel and PVC.
  - No drilling required!



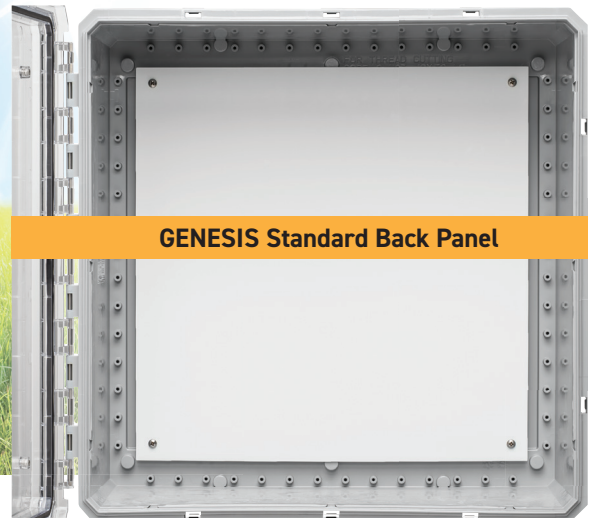
# GENESIS BACK PANELS



## MAKE THE MOST OF YOUR MOUNTING SPACE WITH GENESIS

**Our innovative panel options for Genesis enclosures allow for up to 20% more space.**

Available in Aluminum & Painted Steel. See page 84 for part numbers.

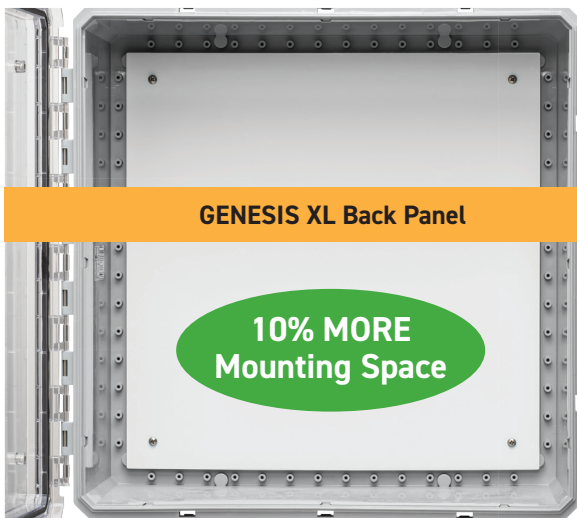


**GENESIS Standard Back Panel**

### PANEL DIMENSIONS

**G2016:** 18.80" x 14.88"

**G2424:** 21.0" x 21.0"



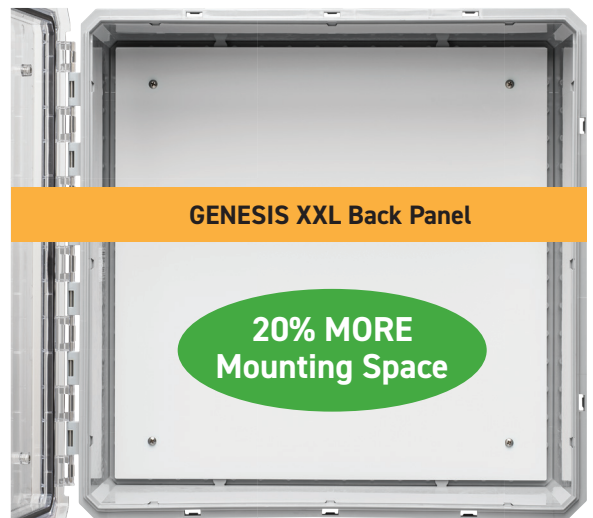
**GENESIS XL Back Panel**

**10% MORE Mounting Space**

### PANEL DIMENSIONS

**G2016:** 19.4" x 15.4"

**G2424:** 22.13" x 22.13"



**GENESIS XXL Back Panel**

**20% MORE Mounting Space**

### PANEL DIMENSIONS

**G2016:** 21.09" x 17.09"

**G2424:** 23.25" x 23.25"

\*NOT COMPATIBLE WITH MULTIMAX RAILS\*



## GENESIS SERIES SIDE PANELS PROVIDE A 3-DIMENSIONAL MOUNTING SPACE

Side panels mount to Integra's Multi-Max<sup>®</sup> Rail System to create unlimited mounting potential for your application.

### SIDE PANEL DIMENSIONS

**G2016:** 6.25" x 15"

**G2424:** 7.88" x 21.75"

