

10X8X2 PREMIUM SERIES



Features & Benefits

- **Quality material** – bases, opaque covers and clear covers are all made of high-impact, UV resistant polycarbonate.
- **Flexible interior mounting** – features the unique and patented Integra adjustable depth “T-Rail” back panel mounting system (back panel and adjustable brackets sold separately).
- **Wide range** of sizes, configurations and accessories provides capabilities for every application.
- **Brass inserts** – in corner bosses for easy component installation.
- **Standard color** – light gray with a gloss finish.
- **UL-50 / c-UL Listed** (files # E229365, # E207562)



Mounting Feet



Mounting Flanges



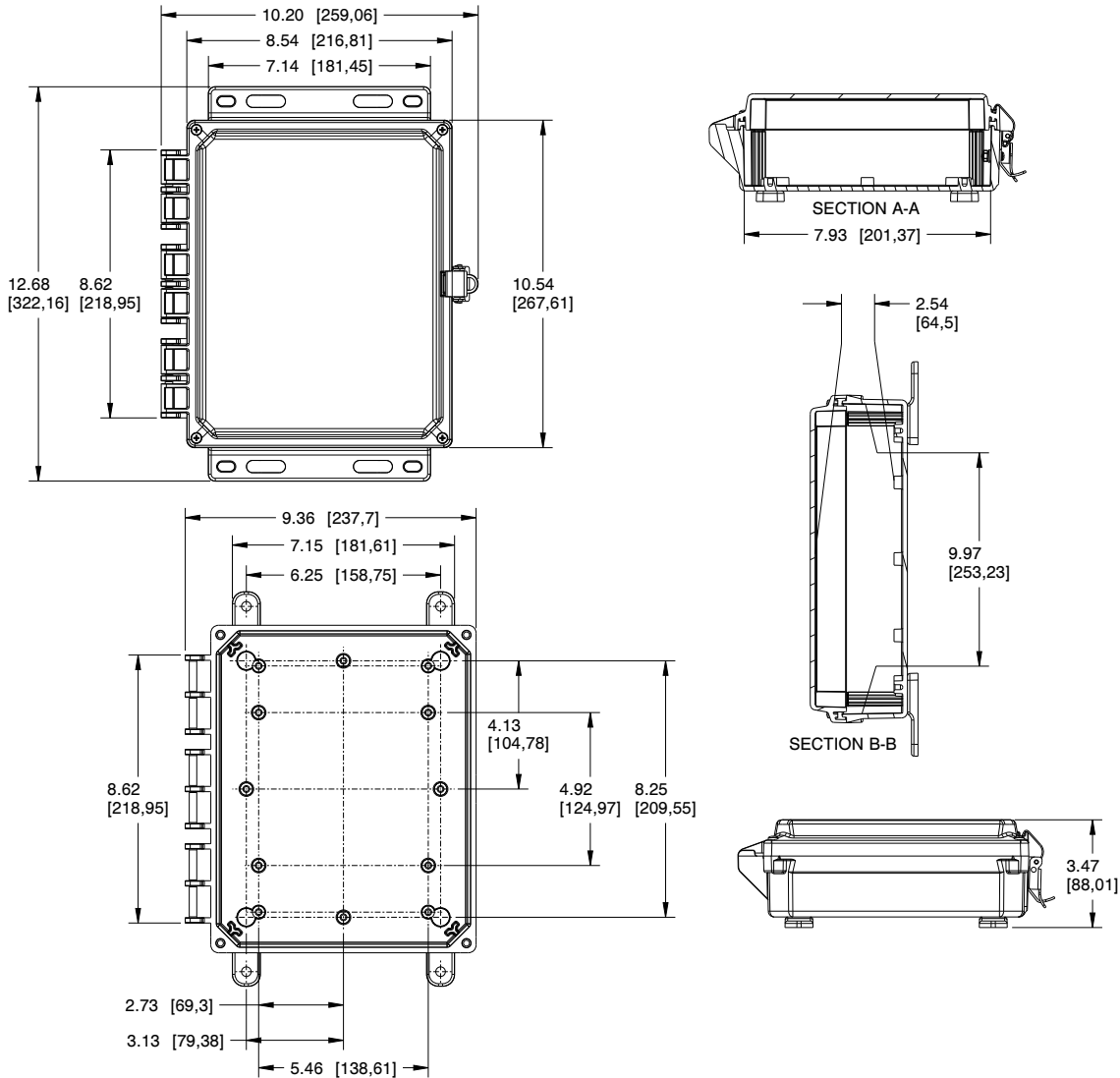
Mechanical & Thermal	Test Spec.	Unit	Rating
Instrumented Dart Impact @ 73° F	-	in-lbs	565
Falling Ball Impact @ 73° F	UL-746	in-lbs	900
Deflection Temperature @ 264 psi	ASTM D648	Deg. F	270
Modulus of Elasticity	ASTM D790	ksi	340
Temperature Range	-	Deg. F	-40 to 265
Flame Rating - UL	UL 94	-	5VA
Outdoor UV Exposure	UL	-	F1

Part Number	4X IP66	6P IP68	Hinged Cover	Screw Cover	Opaque Cover	Clear Cover	Mounting Feet	Mounting Flange	Stainless Steel Locking Latch	Non-Metallic Locking Latch
H10082S	✓	✓		✓	✓		✓			
H10082SC	✓	✓		✓		✓	✓			
H10082SF	✓	✓		✓	✓			✓		
H10082SCF	✓	✓		✓		✓		✓		
H10082H	✓		✓	✓	✓		✓			
H10082HC	✓		✓	✓		✓	✓			
H10082HF	✓		✓	✓	✓			✓		
H10082HCF	✓		✓	✓		✓		✓		
★ H10082HLL	✓		✓		✓		✓		✓	
★ H10082HCLL	✓		✓			✓	✓		✓	
H10082HFLL	✓		✓		✓			✓	✓	
H10082HCFLL	✓		✓			✓		✓	✓	
H10082HNL	✓		✓		✓		✓			✓
H10082HCNL	✓		✓			✓	✓			✓
H10082HFNL	✓		✓		✓			✓		✓
H10082HCFNL	✓		✓			✓		✓		✓
H10082H-6P	✓	✓	✓	✓	✓		✓			
H10082HC-6P	✓	✓	✓	✓		✓	✓			
H10082HF-6P	✓	✓	✓	✓	✓			✓		
H10082HCF-6P	✓	✓	✓	✓		✓		✓		

★ **POPULAR CONFIGURATIONS:** Most popular configurations are available for *QuickShip*. Please send requests to customerservice@integraenclosures.com to take advantage of our *QuickShip* option.



10X8X2 PREMIUM SERIES



TORQUE SPECIFICATIONS:

Mounting Feet - 1/4"-20 x 0.5" SS countersunk Phillips drive screws (torque limit = 32 in lbs)

Covers/Doors - #10-32 x 0.75" SS pan Phillips drive screws (torque limit = 10 in lbs)

Panels - #10-32 x 0.375" pan Phillips drive screws (torque limit = 10-15 in lbs)

[Bracketed dimensions in mm]

Register online to download detailed drawing files at www.integraenclosures.com

Accessories for 10x8x2 (For complete accessories, see pages 81-85)



Back Panels

ABP1082 - Aluminum panel
SBP1082 - Steel panel
PVCBP1082 - PVC panel



Aluminum Swing Panel Kits

ABP-108-USOPK - Complete kit
ABP-108USP - Panel only
USOPK - Hardware only



Back Panel Adjustment Kit

BPAKG - Gray, Set Screw
BPAKB - Black, Set Screw
UBPAKG - Gray, Thumb Screw
UBPAKB - Black Thumb Screw



Air Vents

VENT 3 - Aluminum louvered
VENT 2 - Outdoor labyrinth



Steel Swing Panel Kits

SBP-108-USOPK - Complete kit
SBP-108USP - Panel only
USOPK - Hardware only



Cord Grips

IP68/NEMA 4X/6P rated
 See page 78 for more details and part numbers.



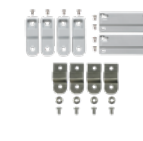
Din Rail

DIN 8 - 2 rails, 4 screws



Pole Mounting Kit

PMKG-28 - 2" pole
PMKG-38 - 3" pole
PMKG-48 - 4" pole
PMKG-128 - 12" pole



Mounting Feet & Flange Kits

MFKG - Premium line feet
MFKSS - Stainless steel feet
MFLK8 - 8" Flange kit