

18X16X8 PREMIUM LINE



Features & Benefits

- **Quality material** – bases, opaque covers and clear covers are all made of high-impact, UV resistant polycarbonate.
- **Flexible interior mounting** – features the unique and patented Integra adjustable depth “T-Rail” back panel mounting system (back panel and adjustable brackets sold separately).
- **Wide range** of sizes, configurations and accessories provides capabilities for every application.
- **Brass inserts** – in corner bosses for easy component installation.
- **Standard color** – light gray with a gloss finish.
- **UL-50 / c-UL Listed** (files # E229365, # E207562)



Mounting Feet

Mounting Flanges



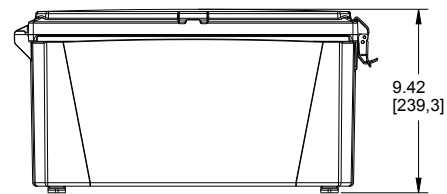
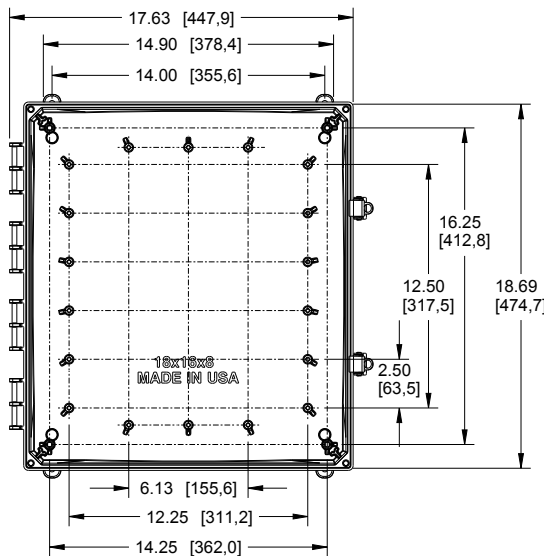
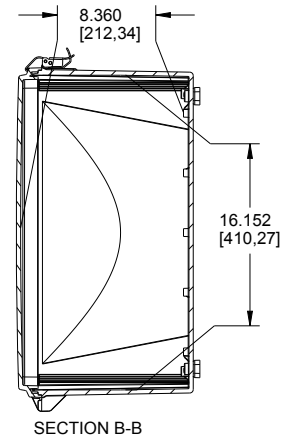
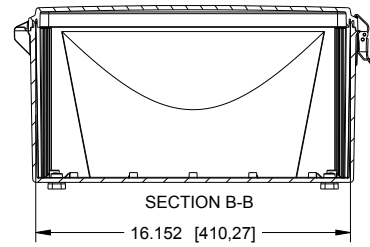
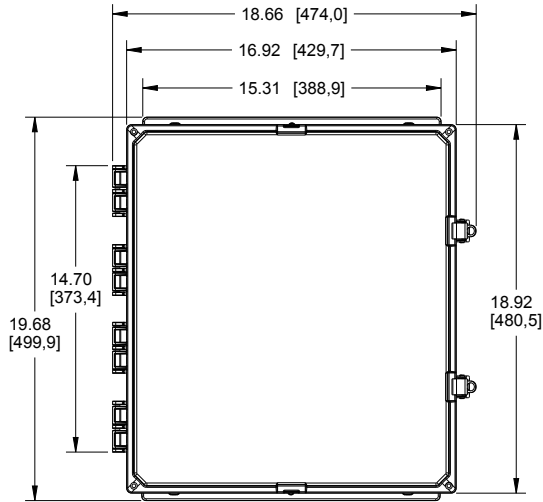
| Mechanical & Thermal | Test Spec. | Unit | Rating |
|----------------------------------|------------|--------|------------|
| Instrumented Dart Impact @ 73° F | - | in-lbs | 565 |
| Falling Ball Impact @ 73° F | UL-746 | in-lbs | 900 |
| Deflection Temperature @ 264 psi | ASTM D648 | Deg. F | 270 |
| Modulus of Elasticity | ASTM D790 | ksi | 340 |
| Temperature Range | - | Deg. F | -40 to 265 |
| Flame Rating - UL | UL 94 | - | 5VA |
| Outdoor UV Exposure | UL | - | F1 |

| Part Number | 4X IP66 | 6P IP68 | Hinged Cover | Screw Cover | Opaque Cover | Clear Cover | Mounting Feet | Mounting Flange | Stainless Steel Locking Latch | Non-Metallic Locking Latch |
|---------------|---------|---------|--------------|-------------|--------------|-------------|---------------|-----------------|-------------------------------|----------------------------|
| H181608S | ✓ | ✓ | | ✓ | ✓ | | ✓ | | | |
| H181608SC | ✓ | ✓ | | ✓ | | ✓ | ✓ | | | |
| H181608SF | ✓ | ✓ | | ✓ | ✓ | | | ✓ | | |
| H181608SCF | ✓ | ✓ | | ✓ | | ✓ | | ✓ | | |
| H181608H | ✓ | | ✓ | ✓ | ✓ | | ✓ | | | |
| H181608HC | ✓ | | ✓ | ✓ | | ✓ | ✓ | | | |
| H181608HF | ✓ | | ✓ | ✓ | ✓ | | | ✓ | | |
| H181608HCF | ✓ | | ✓ | ✓ | | ✓ | | ✓ | | |
| ★ H181608HLL | ✓ | | ✓ | | ✓ | | ✓ | | ✓ | |
| ★ H181608HCLL | ✓ | | ✓ | | | ✓ | ✓ | | ✓ | |
| H181608HFLL | ✓ | | ✓ | | ✓ | | | ✓ | ✓ | |
| H181608HCFLL | ✓ | | ✓ | | | ✓ | | ✓ | ✓ | |
| H181608HNL | ✓ | | ✓ | | ✓ | | ✓ | | | ✓ |
| H181608HCNL | ✓ | | ✓ | | | ✓ | ✓ | | | ✓ |
| H181608HFNL | ✓ | | ✓ | | ✓ | | | ✓ | | ✓ |
| H181608HCFNL | ✓ | | ✓ | | | ✓ | | ✓ | | ✓ |
| H181608H-6P | ✓ | ✓ | ✓ | ✓ | ✓ | | ✓ | | | |
| H181608HC-6P | ✓ | ✓ | ✓ | ✓ | | ✓ | ✓ | | | |
| H181608HF-6P | ✓ | ✓ | ✓ | ✓ | ✓ | | | ✓ | | |
| H181608HCF-6P | ✓ | ✓ | ✓ | ✓ | | ✓ | | ✓ | | |

★ **POPULAR CONFIGURATIONS:** Most popular configurations are available for *QuickShip*. Please send requests to customerservice@integraenclosures.com to take advantage of our *QuickShip* option.



18X16X8 PREMIUM LINE



TORQUE SPECIFICATIONS:

Mounting Feet - 1/4"-20 x 0.5" SS countersunk Phillips drive screws (torque limit = 32 in lbs)

Covers/Doors - #10-32 x 0.75" SS pan Phillips drive screws (torque limit = 10 in lbs)

Panels - #10-32 x 0.375" pan Phillips drive screws (torque limit = 10-15 in lbs)

[Bracketed dimensions in mm]

Register online to download detailed drawing files at www.integraenclosures.com

Accessories for 18x16x8 (For complete accessories, see pages 81-85)



Back Panels

- ABP1816** - Aluminum panel
- SBP1816** - Steel panel
- PVCBP1816** - PVC panel



Aluminum Swing Panel Kits

- ABP-1816-USOPK** - Complete kit
- ABP-1816USP** - Panel only
- USOPK** - Hardware only



Back Panel Adjustment Kit

- BPAKG** - Gray, Set Screw
- BPABK** - Black, Set Screw
- UBPAKG** - Gray, Thumb Screw
- UBPAKB** - Black Thumb Screw



Air Vents / Fan Shrouds

- VENT 3** - Aluminum louvered
- VENT 2** - Outdoor labyrinth
- FS KIT1** - 1 piece kit
- FS KIT2** - 2 piece kit



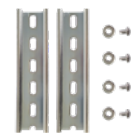
Steel Swing Panel Kits

- SBP-1816-USOPK** - Complete kit
- SBP-1816USP** - Panel only
- USOPK** - Hardware only



Cord Grips

- IP68/NEMA 4X/6P rated
- See page 78 for more details and part numbers.



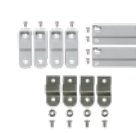
Din Rail

- DIN 16** - 2 rails, 4 screws



Pole Mounting Kit

- PMKG-216** - 2" pole
- PMKG-316** - 3" pole
- PMKG-416** - 4" pole
- PMKG-1216** - 12" pole



Mounting Feet & Flange Kits

- MFKG** - Premium line feet
- MFKSS** - Stainless steel feet
- MFLK16** - 16" Flange kit