

# 8X6X4 PREMIUM SERIES



## Features & Benefits

- **Quality material** – bases, opaque covers and clear covers are all made of high-impact, UV resistant polycarbonate.
- **Flexible interior mounting** – features the unique and patented Integra adjustable depth “T-Rail” back panel mounting system (back panel and adjustable brackets sold separately).
- **Wide range** of sizes, configurations and accessories provides capabilities for every application.
- **Brass inserts** – in corner bosses for easy component installation.
- **Standard color** – light gray with a gloss finish.
- **UL-50 / c-UL Listed** (files # E229365, # E207562)



Mounting Feet



Mounting Flanges



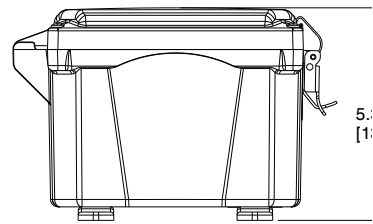
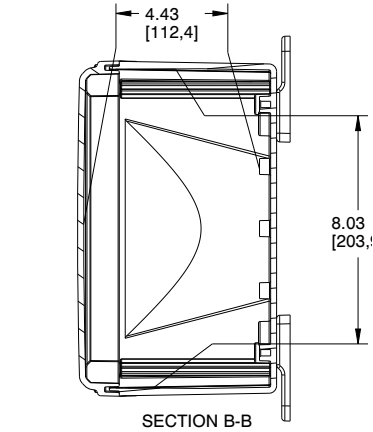
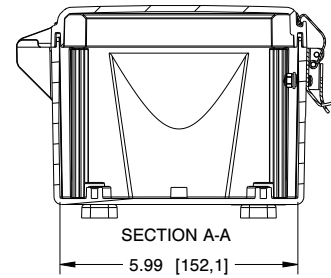
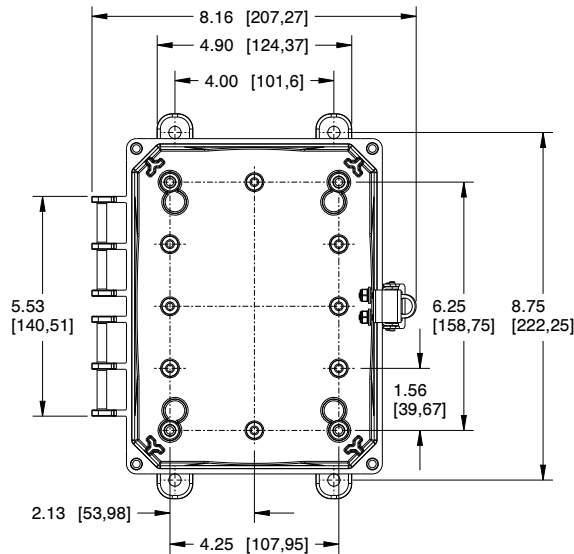
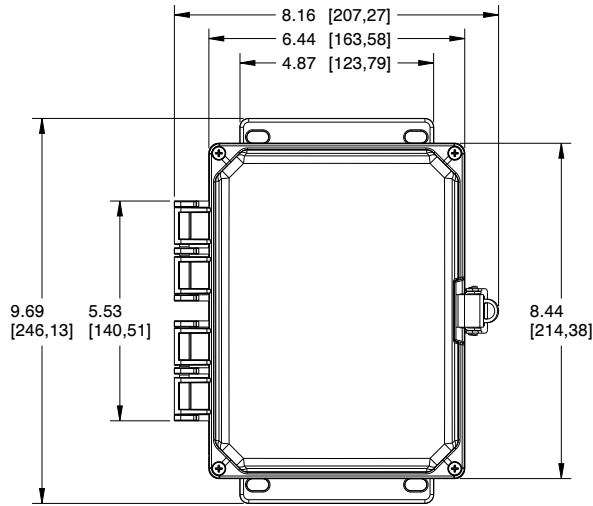
| Mechanical & Thermal             | Test Spec. | Unit   | Rating     |
|----------------------------------|------------|--------|------------|
| Instrumented Dart Impact @ 73° F | -          | in-lbs | 565        |
| Falling Ball Impact @ 73° F      | UL-746     | in-lbs | 900        |
| Deflection Temperature @ 264 psi | ASTM D648  | Deg. F | 270        |
| Modulus of Elasticity            | ASTM D790  | ksi    | 340        |
| Temperature Range                | -          | Deg. F | -40 to 265 |
| Flame Rating - UL                | UL 94      | -      | 5VA        |
| Outdoor UV Exposure              | UL         | -      | F1         |

| Part Number | 4X IP66 | 6P IP68 | Hinged Cover | Screw Cover | Opaque Cover | Clear Cover | Mounting Feet | Mounting Flange | Stainless Steel Locking Latch | Non-Metallic Locking Latch |
|-------------|---------|---------|--------------|-------------|--------------|-------------|---------------|-----------------|-------------------------------|----------------------------|
| H8064S      | ✓       | ✓       |              | ✓           | ✓            |             | ✓             |                 |                               |                            |
| H8064SC     | ✓       | ✓       |              | ✓           |              | ✓           | ✓             |                 |                               |                            |
| H8064SF     | ✓       | ✓       |              | ✓           | ✓            |             |               | ✓               |                               |                            |
| H8064SCF    | ✓       | ✓       |              | ✓           |              | ✓           |               | ✓               |                               |                            |
| H8064H      | ✓       |         | ✓            | ✓           | ✓            |             | ✓             |                 |                               |                            |
| H8064HC     | ✓       |         | ✓            | ✓           |              | ✓           | ✓             |                 |                               |                            |
| H8064HF     | ✓       |         | ✓            | ✓           | ✓            |             |               | ✓               |                               |                            |
| H8064HCF    | ✓       |         | ✓            | ✓           |              | ✓           |               | ✓               |                               |                            |
| ★ H8064HLL  | ✓       |         | ✓            |             | ✓            |             | ✓             |                 | ✓                             |                            |
| ★ H8064HCLL | ✓       |         | ✓            |             |              | ✓           | ✓             |                 | ✓                             |                            |
| H8064HFLL   | ✓       |         | ✓            |             | ✓            |             |               | ✓               | ✓                             |                            |
| H8064HCFLL  | ✓       |         | ✓            |             |              | ✓           |               | ✓               | ✓                             |                            |
| H8064HNL    | ✓       |         | ✓            |             | ✓            |             | ✓             |                 |                               | ✓                          |
| H8064HCNL   | ✓       |         | ✓            |             |              | ✓           | ✓             |                 |                               | ✓                          |
| H8064HFNL   | ✓       |         | ✓            |             | ✓            |             |               | ✓               |                               | ✓                          |
| H8064HCFNL  | ✓       |         | ✓            |             |              | ✓           |               | ✓               |                               | ✓                          |
| H8064H-6P   | ✓       | ✓       | ✓            | ✓           | ✓            |             | ✓             |                 |                               |                            |
| H8064HC-6P  | ✓       | ✓       | ✓            | ✓           |              | ✓           | ✓             |                 |                               |                            |
| H8064HF-6P  | ✓       | ✓       | ✓            | ✓           | ✓            |             |               | ✓               |                               |                            |
| H8064HCF-6P | ✓       | ✓       | ✓            | ✓           |              | ✓           |               | ✓               |                               |                            |

★ **POPULAR CONFIGURATIONS:** Most popular configurations are available for *QuickShip*. Please send requests to [customerservice@integraenclosures.com](mailto:customerservice@integraenclosures.com) to take advantage of our *QuickShip* option.



# 8X6X4 PREMIUM SERIES



**TORQUE SPECIFICATIONS:**

**Mounting Feet** - 1/4"-20 x 0.5" SS countersunk Phillips drive screws (torque limit = 32 in lbs)

**Covers/Doors** - #10-32 x 0.75" SS pan Phillips drive screws (torque limit = 10 in lbs)

**Panels** - #10-32 x 0.375" pan Phillips drive screws (torque limit = 10-15 in lbs)

[Bracketed dimensions in mm]

Register online to download detailed drawing files at [www.integraenclosures.com](http://www.integraenclosures.com)

## Accessories for 8x6x4 (For complete accessories, see pages 81-85)



**Back Panels**

- ABP86** - Aluminum panel
- SBP86** - Steel panel
- PVCBP86** - PVC panel



**Aluminum Swing Panel Kits**

- ABP-86-USOPK** - Complete kit
- ABP-86USP** - Panel only
- USOPK** - Hardware only



**Back Panel Adjustment Kit**

- BPAKG** - Gray, Set Screw
- BPAKB** - Black, Set Screw
- UBPAKG** - Gray, Thumb Screw
- UBPAKB** - Black Thumb Screw



**Air Vents**

- VENT 3** - Aluminum louvered
- VENT 2** - Outdoor labyrinth



**Steel Swing Panel Kits**

- SBP-86-USOPK** - Complete kit
- SBP-86USP** - Panel only
- USOPK** - Hardware only



**Cord Grips**

- IP68/NEMA 4X/6P** rated
- See page 78 for more details and part numbers.



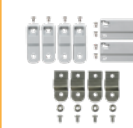
**Din Rail**

- DIN 6** - 2 rails, 4 screws



**Pole Mounting Kit**

- PMKG-26** - 2" pole
- PMKG-36** - 3" pole
- PMKG-46** - 4" pole
- PMKG-126** - 12" pole



**Mounting Feet & Flange Kits**

- MFKG** - Premium line feet
- MFKSS** - Stainless steel feet
- MFLK6** - 6" Flange kit