

Quality Stainless Steel Enclosures, available for *QuickShip!*

Ideal for indoor or outdoor applications that require protection against water, oil and dirt.
Our Strongbox Series enclosures come in multiple standard sizes.

FEATURES & BENEFITS

- NEMA 4X Corrosion Protection
- 304 Stainless Steel with #4 Brush Finish
- Drainage Channel Flange on all sides of door
- Water-Resistant FIP Gasket
- Grounding Studs on Door and Body
- Rivet Nuts & Panel Standoffs installed

STANDARD FEATURES:

- » Bolt-On Tabs
- » Stainless Steel Quarter-Turn Latch
- » 316 SS Pin Hinge (Pinge™)



STANDARD ENCLOSURE SIZES

Part Number	Height	Width	Depth	Material Thickness Cover / Base	Enclosure Weight (lbs.)	Optional Subpanel Part #	Subpanel Dimensions
W100804-4PQ-BT	10"	8"	4"	16 Gauge / 16 Gauge	6.0	PNLB1008GVN	8x6
W100806-4PQ-BT	10"	8"	6"	16 Gauge / 16 Gauge	7.2	PNLB1008GVN	8x6
W121004-4PQ-BT	12"	10"	4"	16 Gauge / 16 Gauge	8.1	PNLB1210GVN	10x8
W121006-4PQ-BT	12"	10"	6"	16 Gauge / 16 Gauge	9.6	PNLB1210GVN	10x8
W141206-4PQ-BT	14"	12"	6"	16 Gauge / 16 Gauge	12.3	PNLB1412GVN	12x10
W201608-4PQ-BT	20"	16"	8"	14 Gauge / 16 Gauge	22.6	PNLB2016GVN	18x14
W202008-4PQ-BT	20"	20"	8"	14 Gauge / 16 Gauge	26.6	PNLB2020GVN	18x18
W202010-4PQ-BT	20"	20"	10"	14 Gauge / 16 Gauge	36.8	PNLB2020GVN	18x18
W242008-4PQ-BT	24"	20"	8"	14 Gauge / 16 Gauge	30.7	PNLB2420GVN	22x18
W242010-4PQ-BT	24"	20"	10"	14 Gauge / 16 Gauge	42.2	PNLB2420GVN	22x18
W242408-4PQ-BT	24"	24"	8"	14 Gauge / 16 Gauge	35.3	PNLB2424GVN	22x22
W242410-4PQ-BT	24"	24"	10"	14 Gauge / 16 Gauge	48.4	PNLB2424GVN	22x22
W302410-4PQ-BT	30"	24"	10"	14 Gauge / 14 Gauge	57.6	PNLB3024GVN	28x22
W302412-4PQ-BT	30"	24"	12"	14 Gauge / 14 Gauge	62.3	PNLB3024GVN	28x22
W363012-4PQ-BT	36"	30"	12"	14 Gauge / 14 Gauge	84.9	PNLB3630GVN	34x28

*Standard QuickShip lead time is 1-2 business days and is based on available quantities of unmodified enclosures. Call sales department for details.

Looking for something different?
Custom Sizing & Accessories Available!

LATCHES

- » Quarter-Turn Latch
- » Pad Lockable 3-Point Latch
- » Integra Locking Latch



HINGES

- » Removable Pin Hinge (Pinge™)
- » Continuous Piano Hinge
- » Lift Off Hinge



MOUNTING

- » Welded or Bolted Mounting Tabs
- » Welded or Bolted Mounting Flange
- » Rivet Nuts or Through Holes
- » Multiple Sizes of Legs



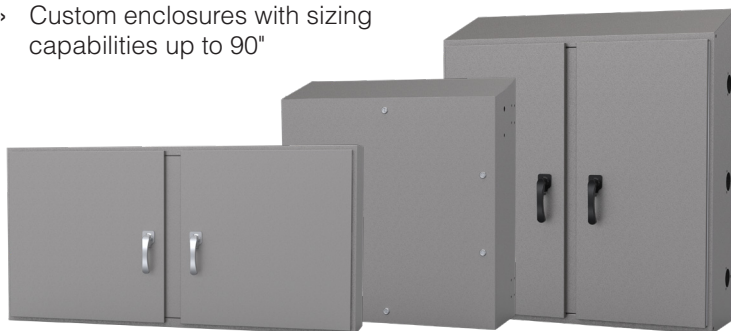
ARTWORK & MACHINING

- » Choose from a wide range of RAL powder coat colors.
- » Full color silk screening with optional UV protective coating.
- » Laser etching for precise, durable graphics.
- » Precision laser cut machining is available on all models



CUSTOM SIZING

- » Custom enclosures with sizing capabilities up to 90"



SLOPE TOP

The angled roof on our slope top enclosures prevents water from sitting on top and guides it away from electronics.



WALL MOUNT

Mount your enclosure up and out of the way with wall mounting tabs that can be integrated to the back of any standard. Also, chose from a variety of latches and handles.



COMPLETELY YOURS

Customize your entire enclosure to meet your needs. Contact us to receive a quote today!



Not seeing what you're looking for? Contact us!

Work with our Sales & Engineering experts to build the right enclosure for your project.

To request a quote, email plans to sales@integraenclosures.com