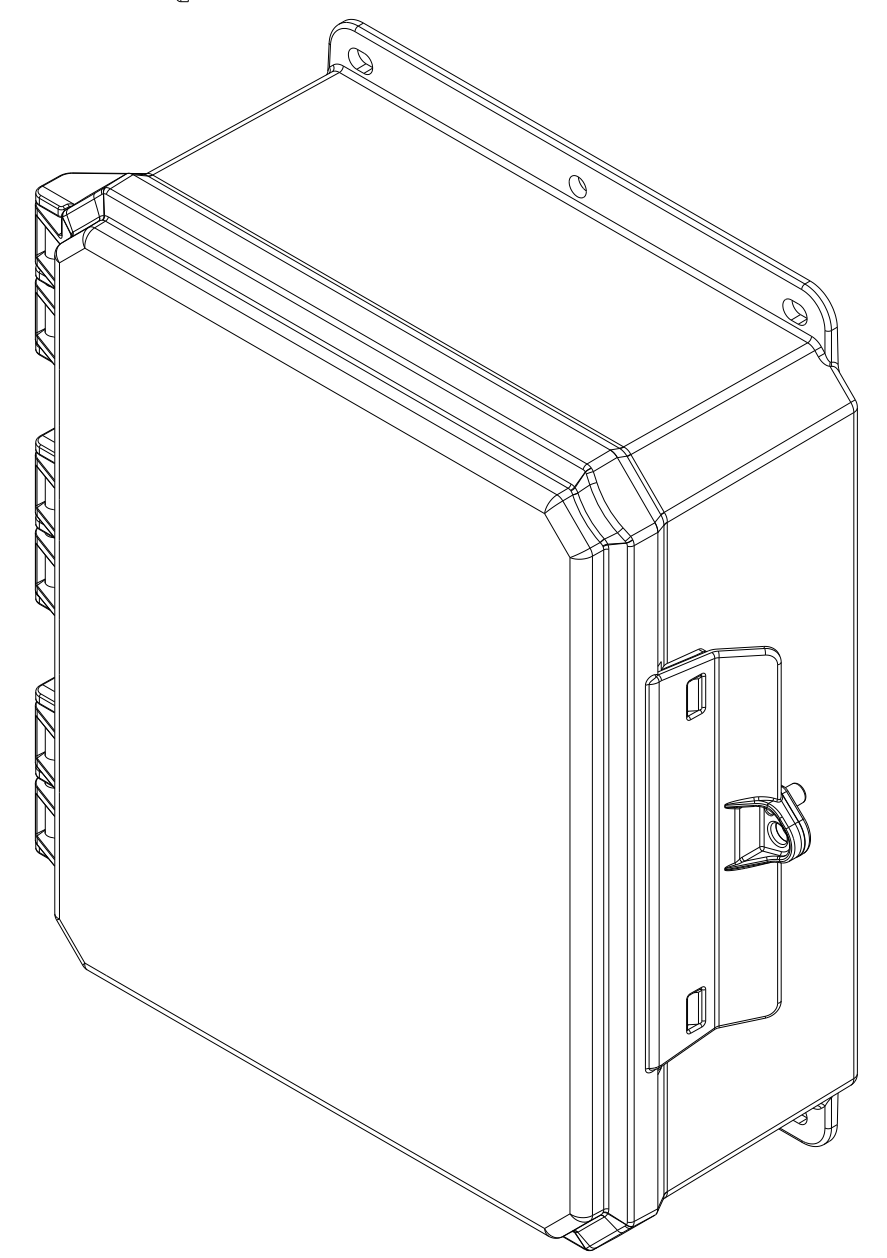
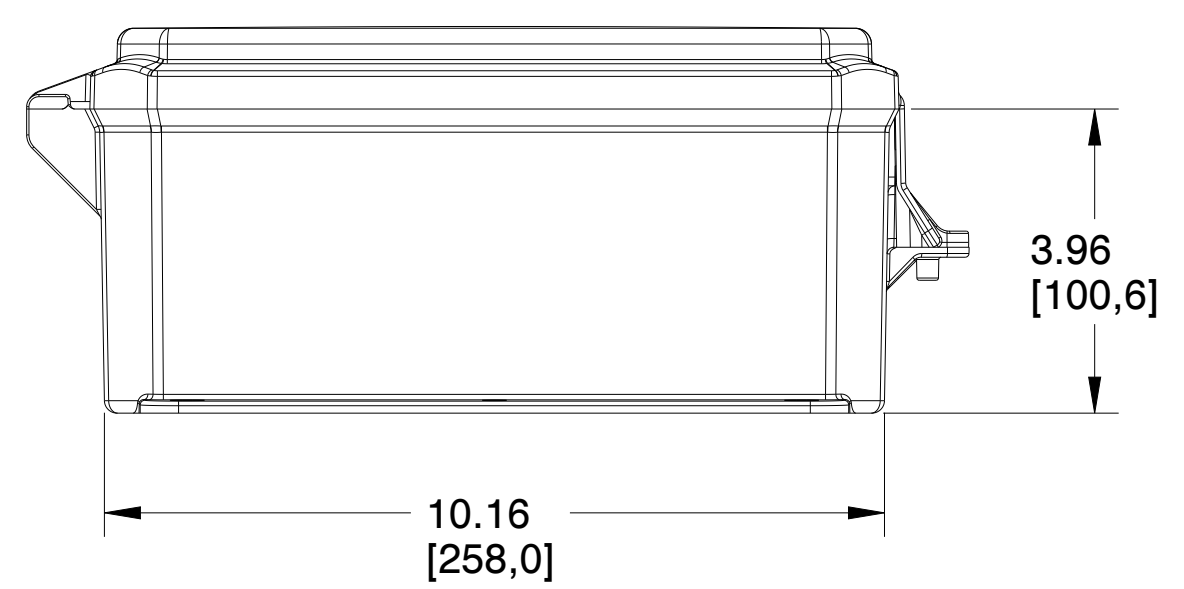
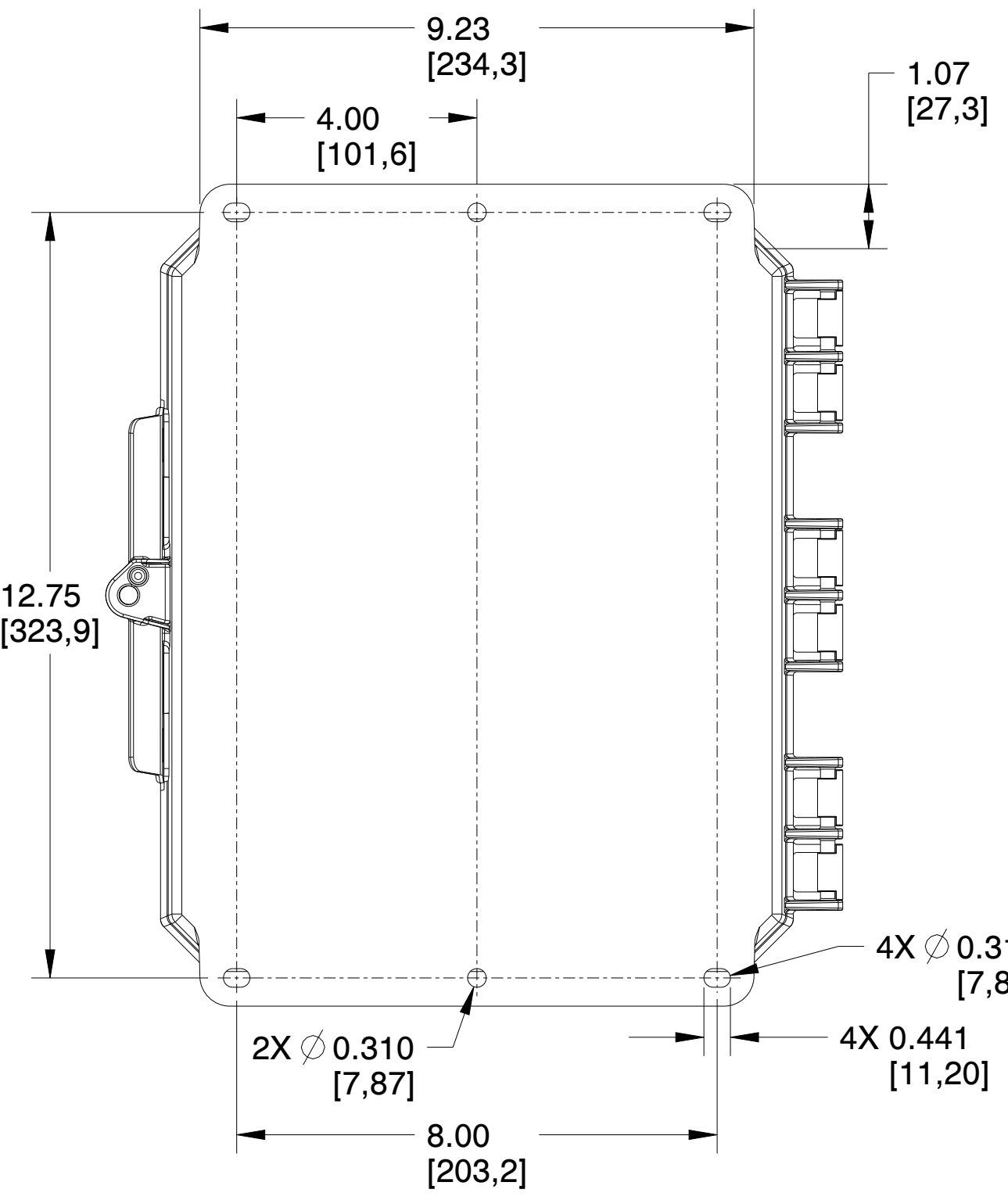
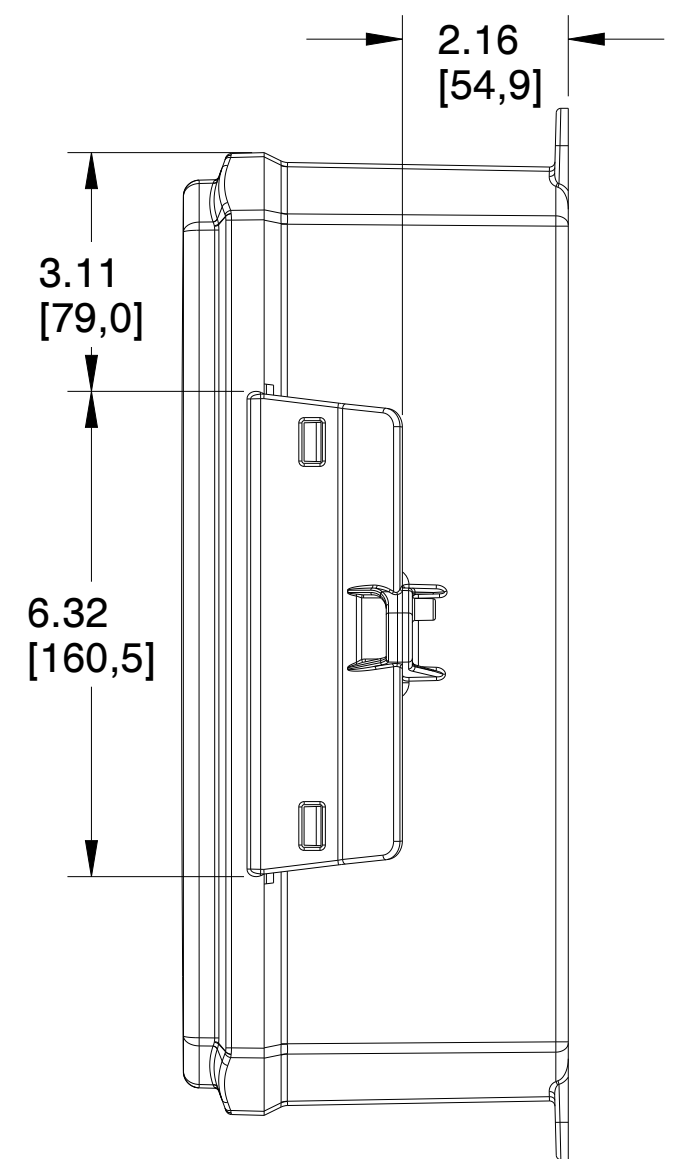
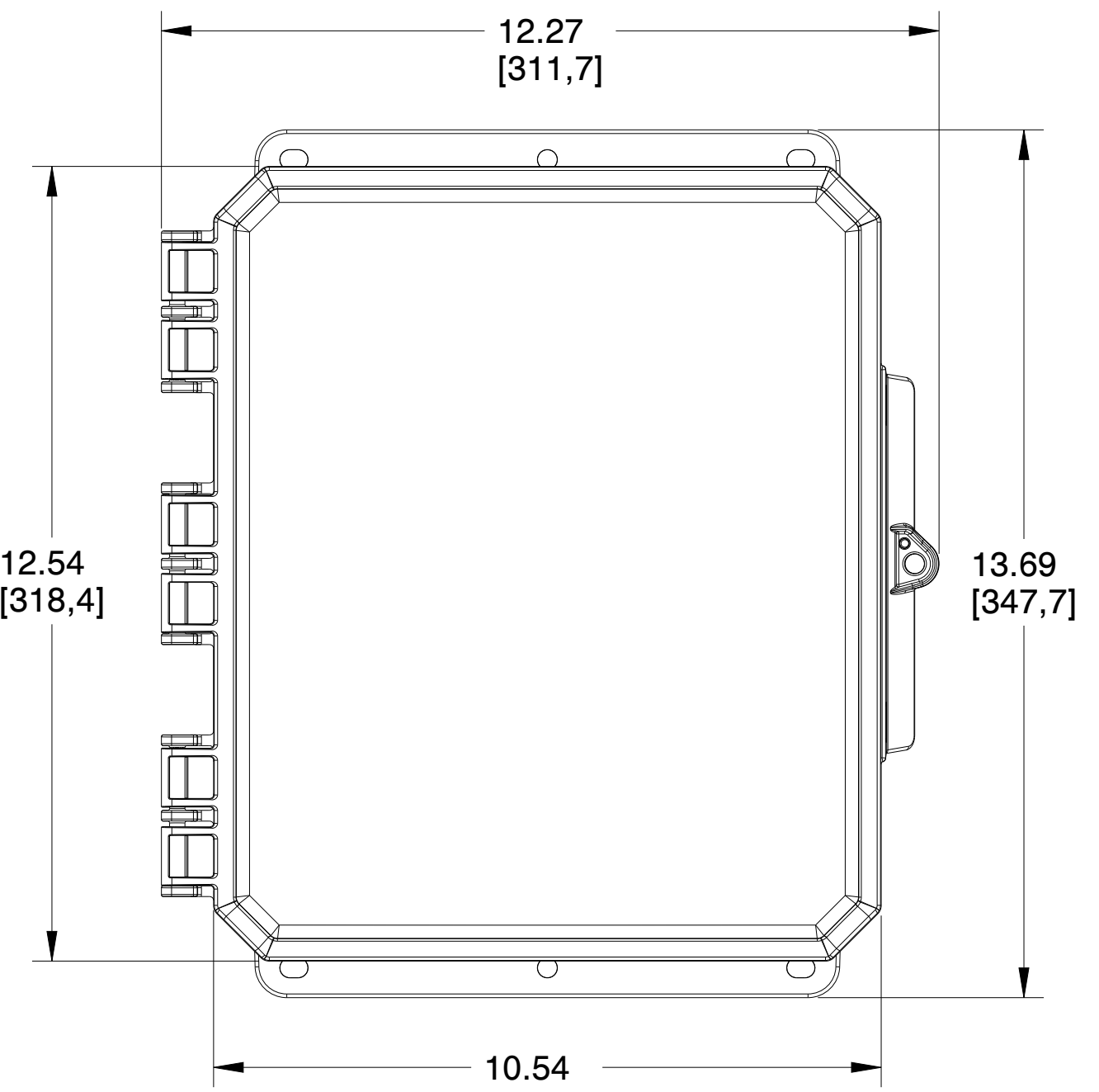
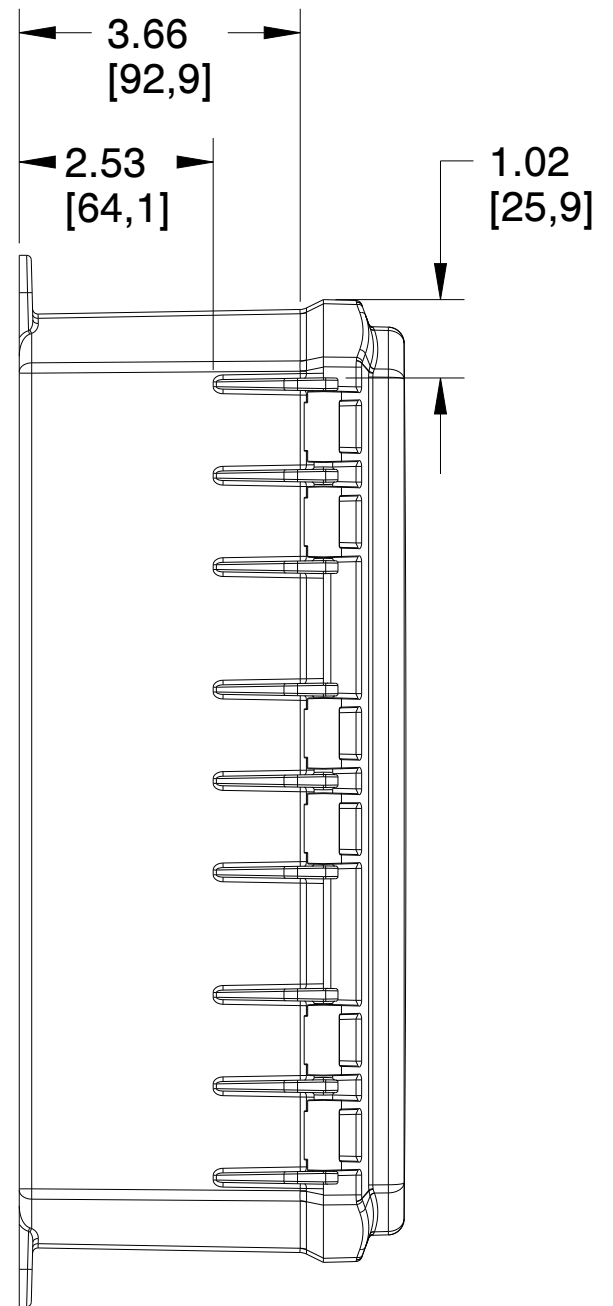


4

3

2

1



DEFAULT TOLERANCES		<b>INTEGRA ENCLOSURES</b>		MUM INDUSTRIES 8989 TYLER BLVD MENTOR, OHIO, U.S.A. (440) 269-8155 FAX (440) 269-8166	
DECIMAL .XX ±0.03 .XXX ±0.010	SCALE <b>0.400</b>	SHEET 1 of 2	DRAWN BY <b>A. MORSE</b>		
FRACTIONAL ± 1/16	TITLE <b>IMP-12X10X4-HNG-GRY-INT</b>				
ANGULAR ±5°	DATE 04.18.2024	DRAWING NUMBER P12104	REV <b>A</b>		

4

3

2

1

4

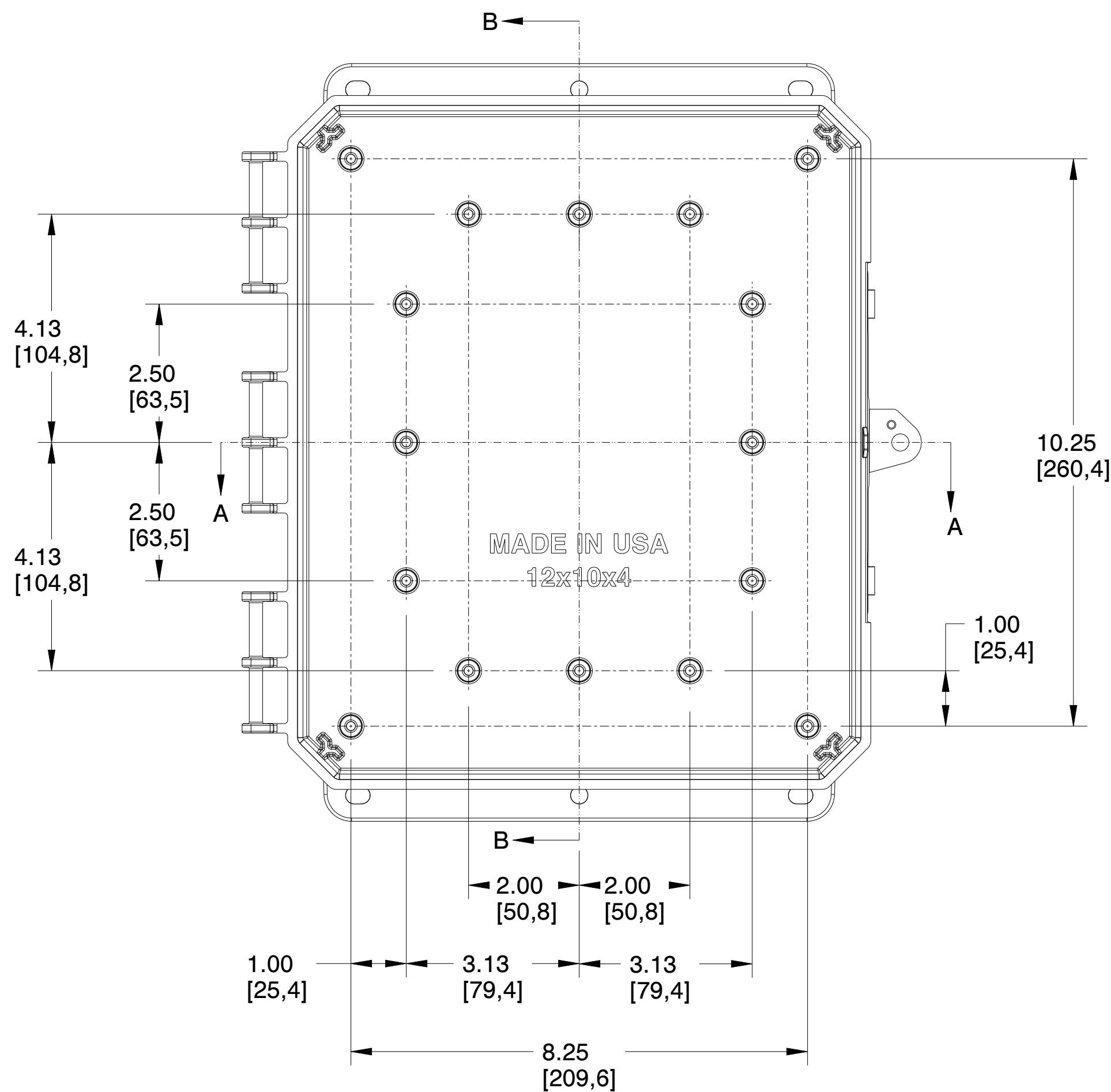
3

2

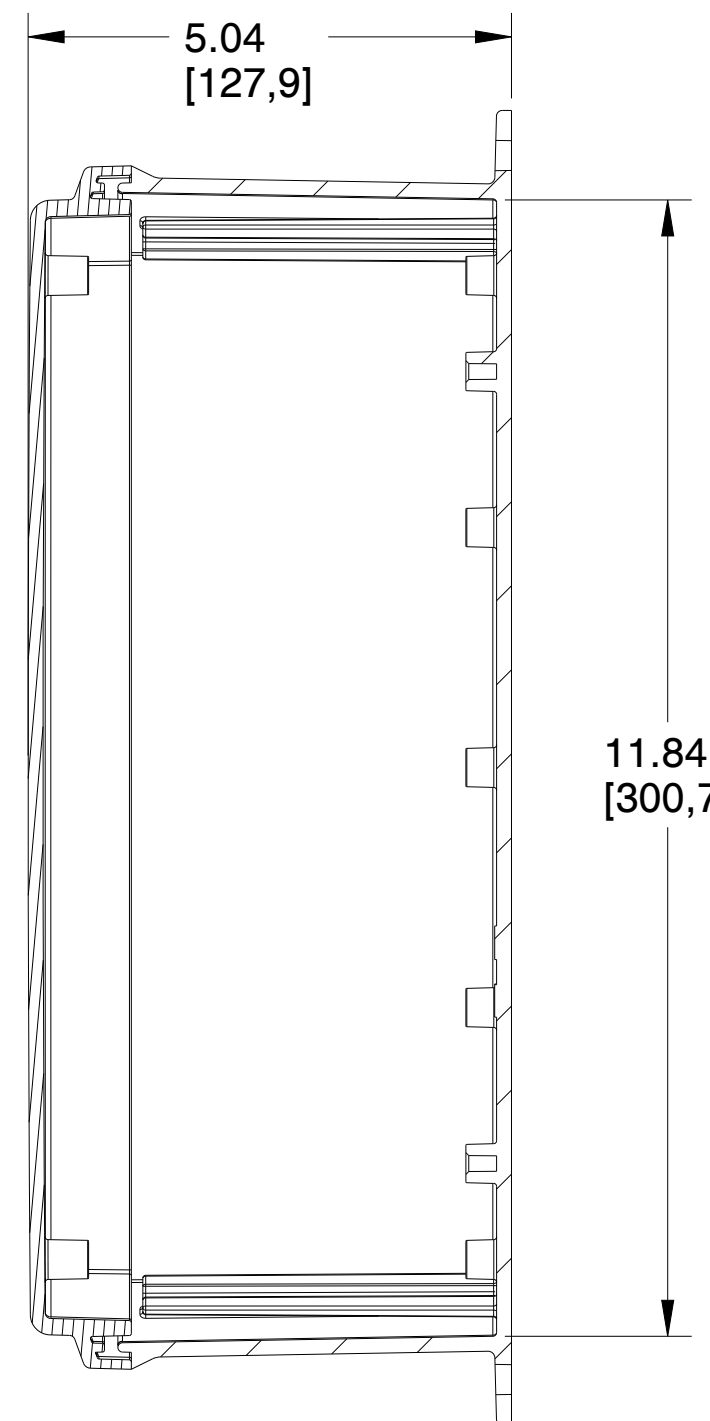
1



SECTION A-A



MADE IN USA  
12x10x4



SECTION B-B

DEFAULT TOLERANCES	<b>INTEGRA ENCLOSURES</b>	MUM INDUSTRIES 8989 TYLER BLVD MENTOR, OHIO, U.S.A. (440) 269-8155 FAX (440) 269-8166		
DECIMAL .XX ±0.03 .XXX ±0.010	SCALE <b>0.500</b>	SHEET 2 of 2	DRAWN BY <b>A. MORSE</b>	
FRACTIONAL ± 1/16	TITLE <b>IMP-12X10X4-HNG-GRY-INT</b>			
ANGULAR ±5°	DATE 04.19.2024	DRAWING NUMBER P12104	REV <b>A</b>	

4

3

2

1