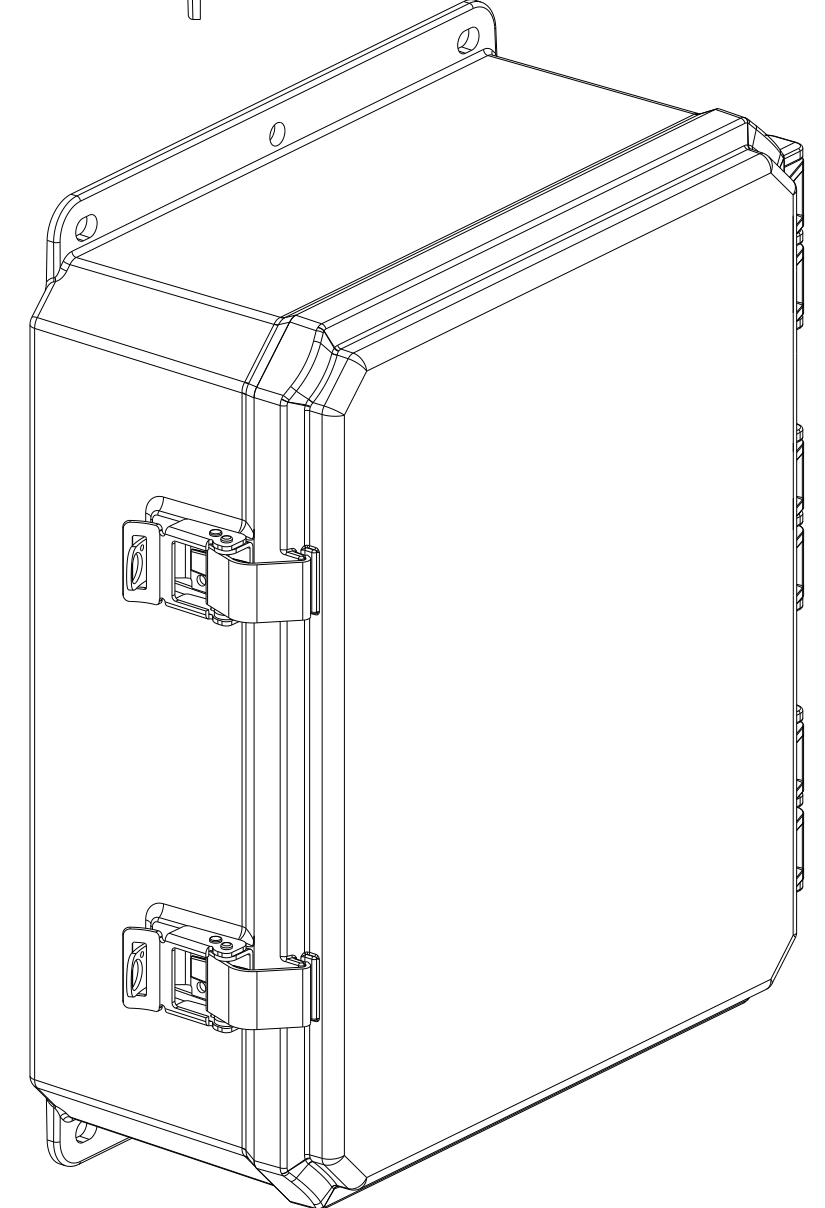
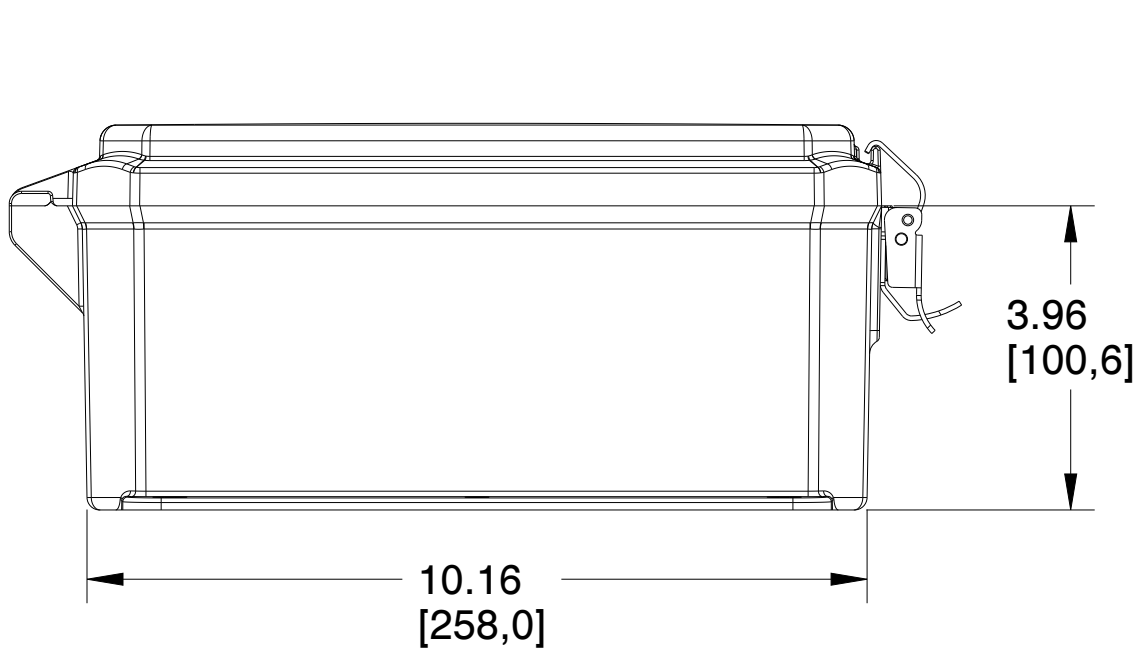
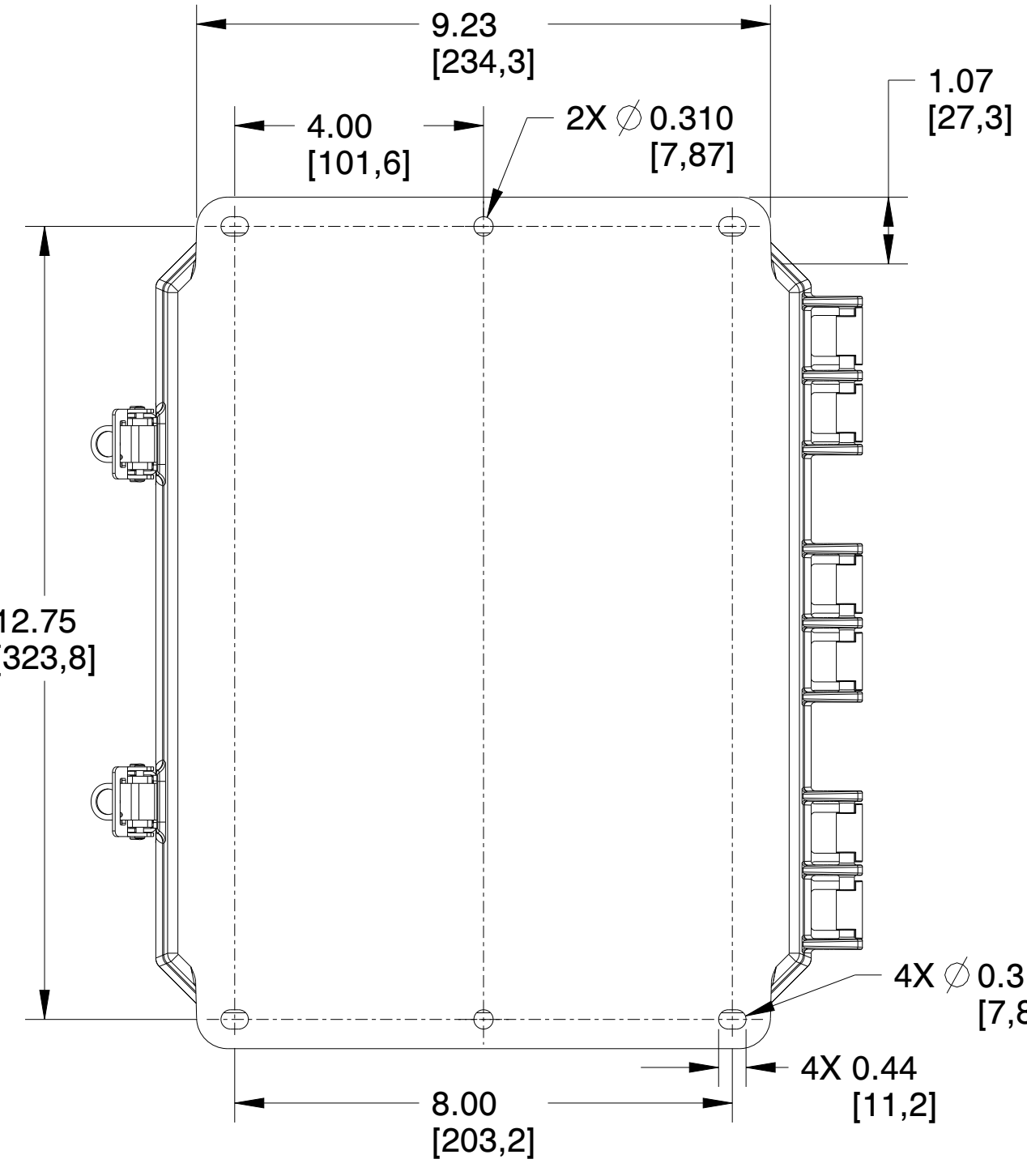
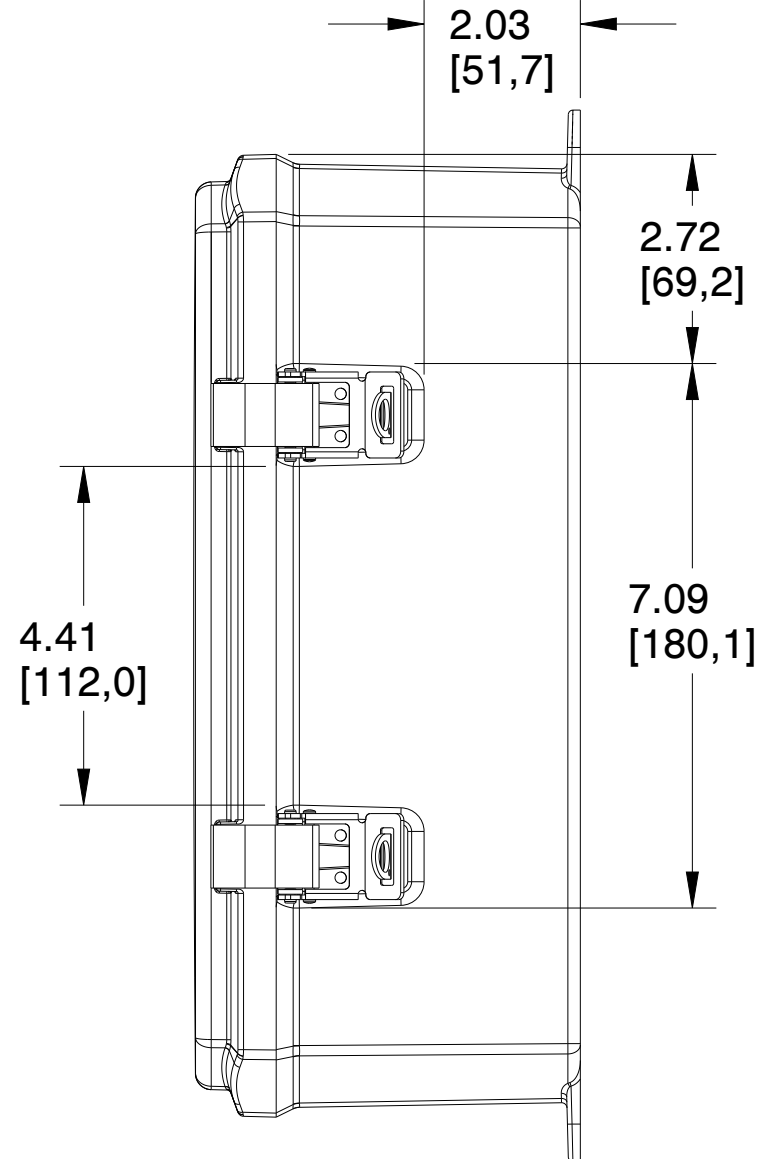
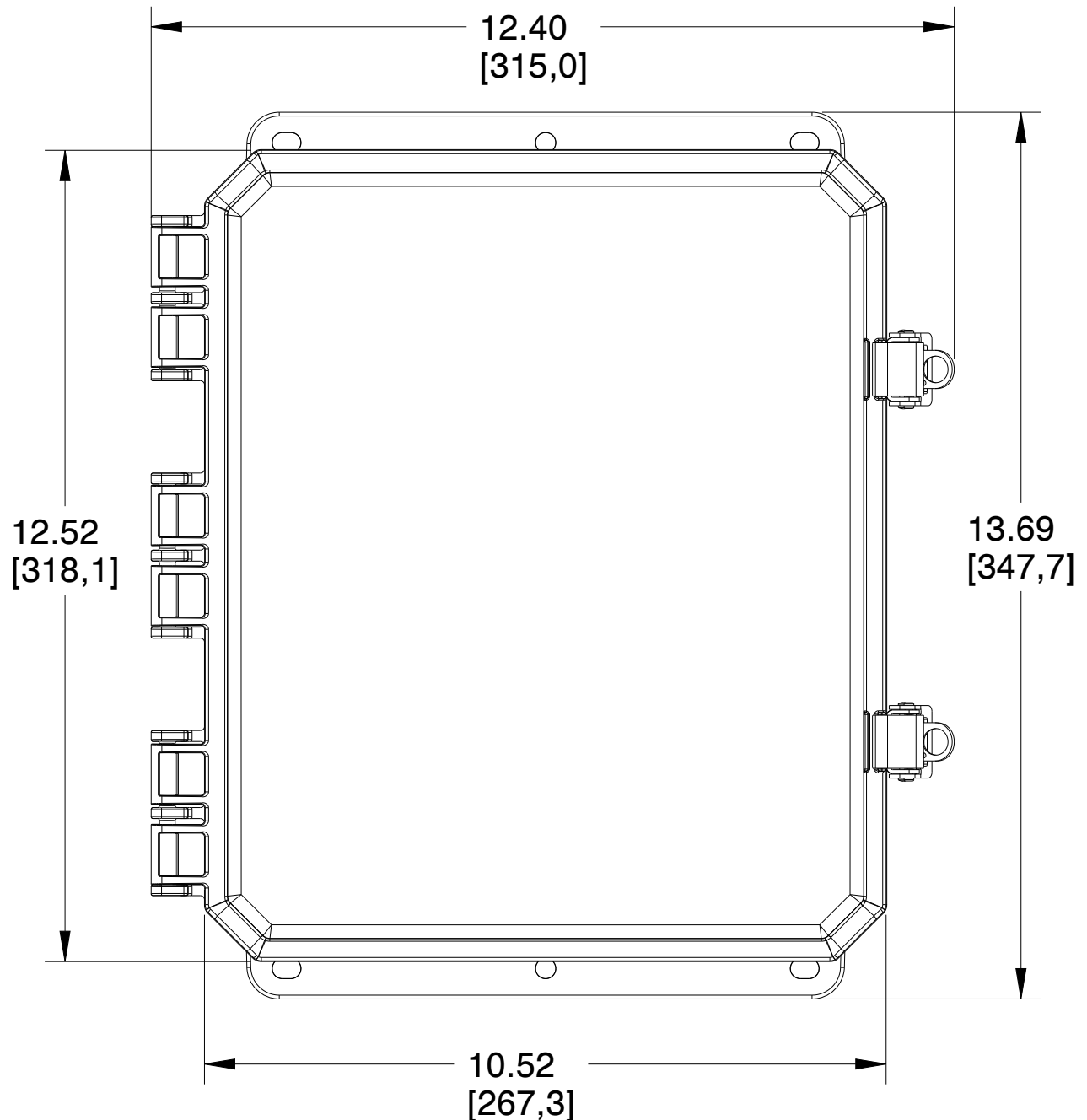
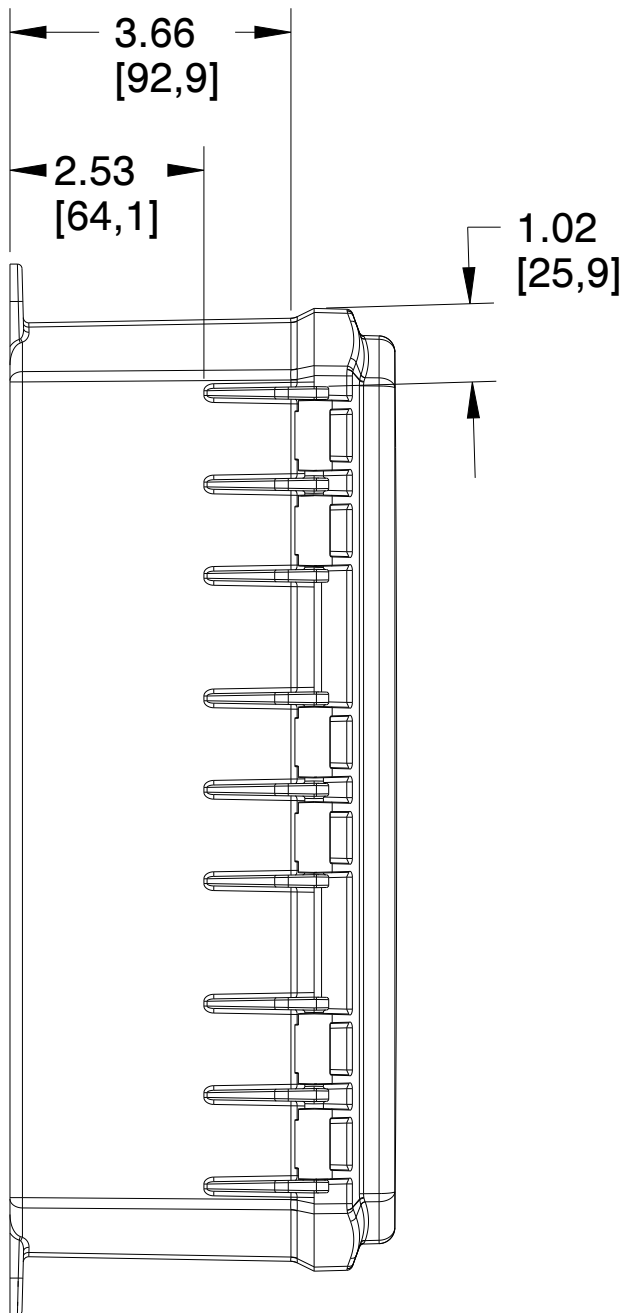


4

3

2

1



4X Ø 0.310 [7,87]

4X 0.44 [11,2]

DEFAULT TOLERANCES		<b>INTEGRA ENCLOSURES</b>		MUM INDUSTRIES 8989 TYLER BLVD MENTOR, OHIO, U.S.A. (440) 269-8155 FAX (440) 269-8166	
DECIMAL .XX ±0.03 .XXX ±0.010	SCALE <b>0.400</b>	SHEET 1 of 2	DRAWN BY <b>A. MORSE</b>		
FRACTIONAL ± 1/16	TITLE <b>IMP-12X10X4-HNG-GRY-SLL</b>				
ANGULAR ±5°	DATE 04.30.2024	DRAWING NUMBER P12104LL	REV <b>A</b>		

4

3

2

1

D

D

C

C

B

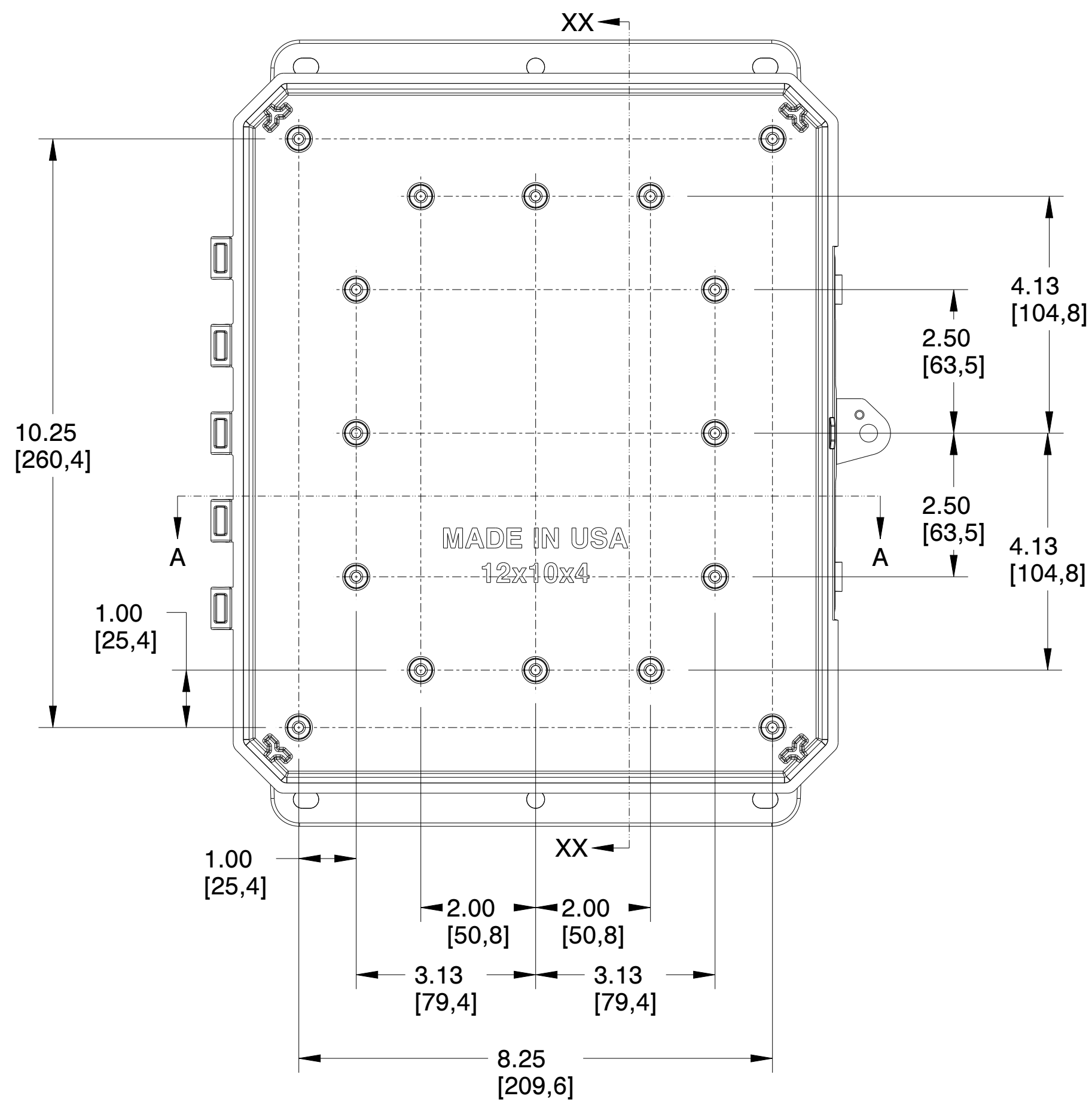
B

A

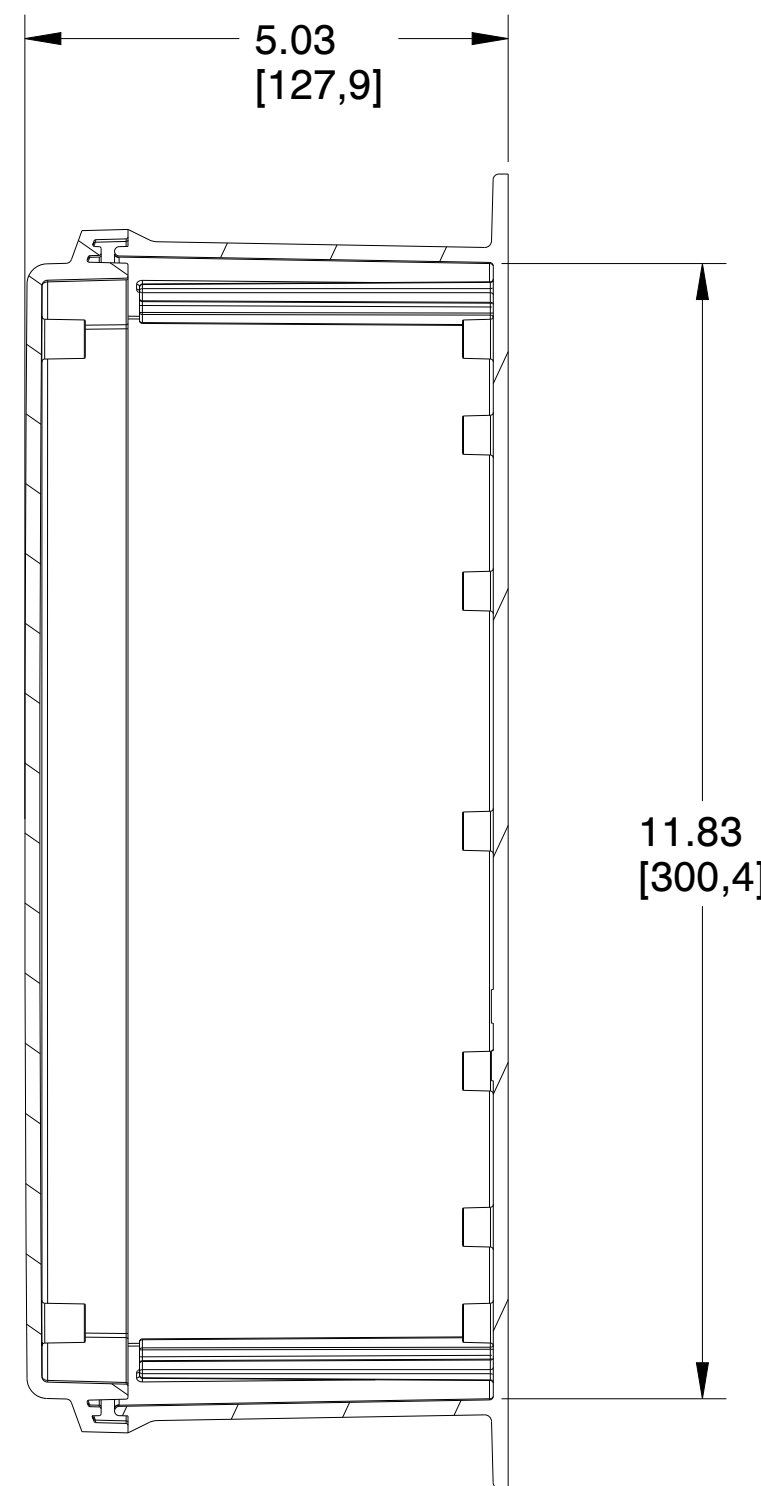
A



SECTION A-A



MADE IN USA  
12x10x4



SECTION XX-XX

DEFAULT TOLERANCES	<b>INTEGRA ENCLOSURES</b>		MUM INDUSTRIES 8989 TYLER BLVD MENTOR, OHIO, U.S.A. (440) 269-8155 FAX (440) 269-8166
DECIMAL .XX ±0.03 .XXX ±0.010	SCALE <b>0.500</b>	SHEET <b>2 of 2</b>	DRAWN BY <b>A. MORSE</b>
FRACTIONAL ± 1/16	TITLE <b>IMP-12X10X4-HNG-GRY-SLL</b>		
ANGULAR ±5°	DATE <b>04.30.2024</b>	DRAWING NUMBER <b>P12104LL</b>	REV <b>A</b>