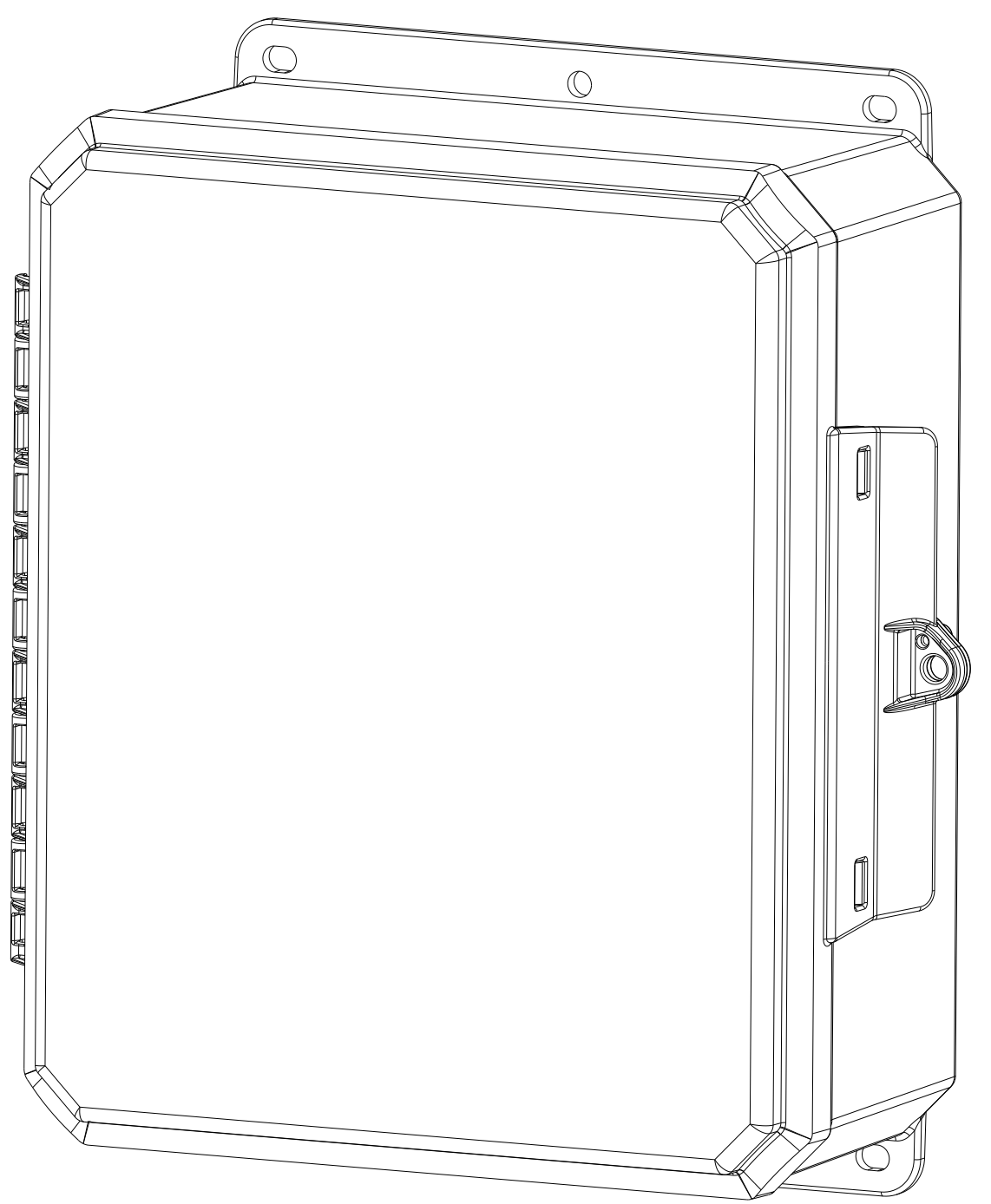
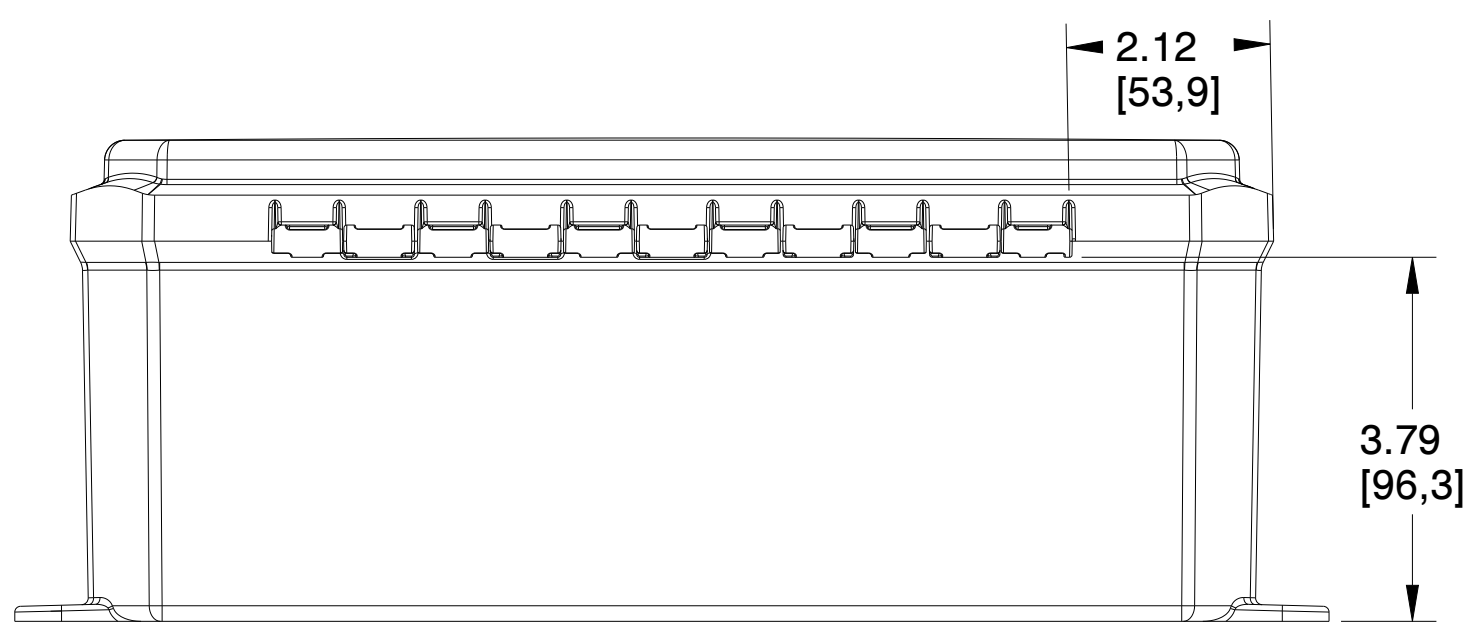
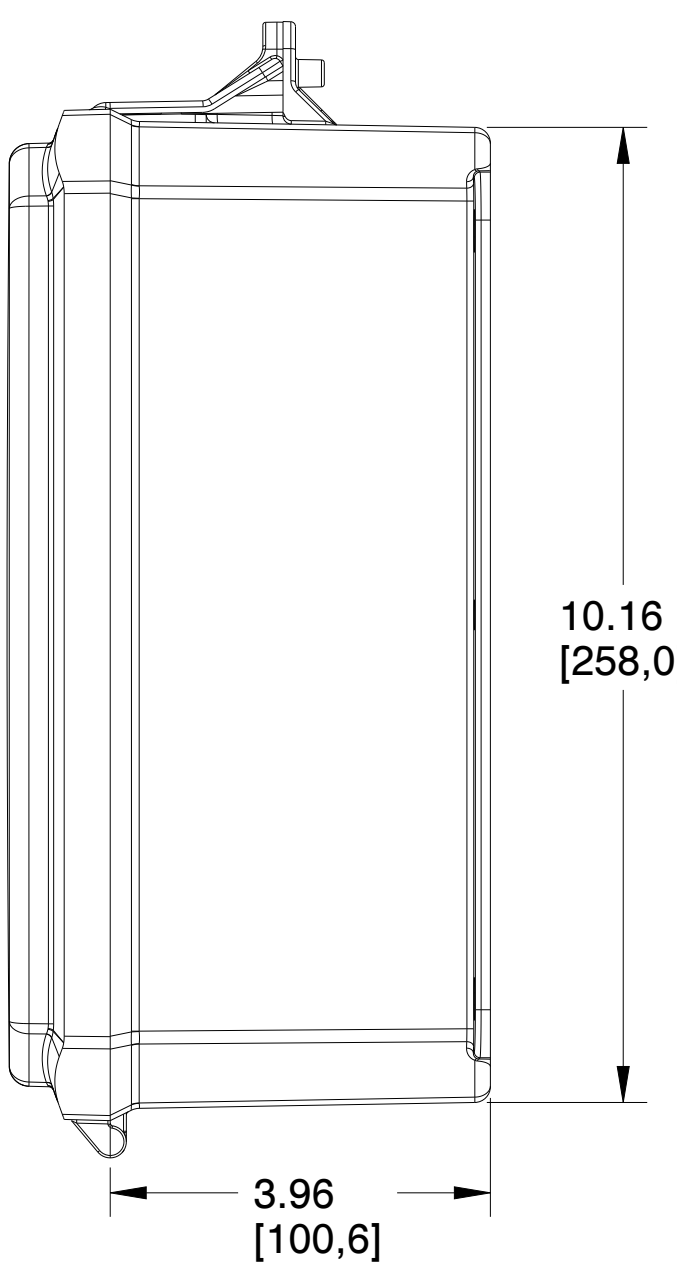
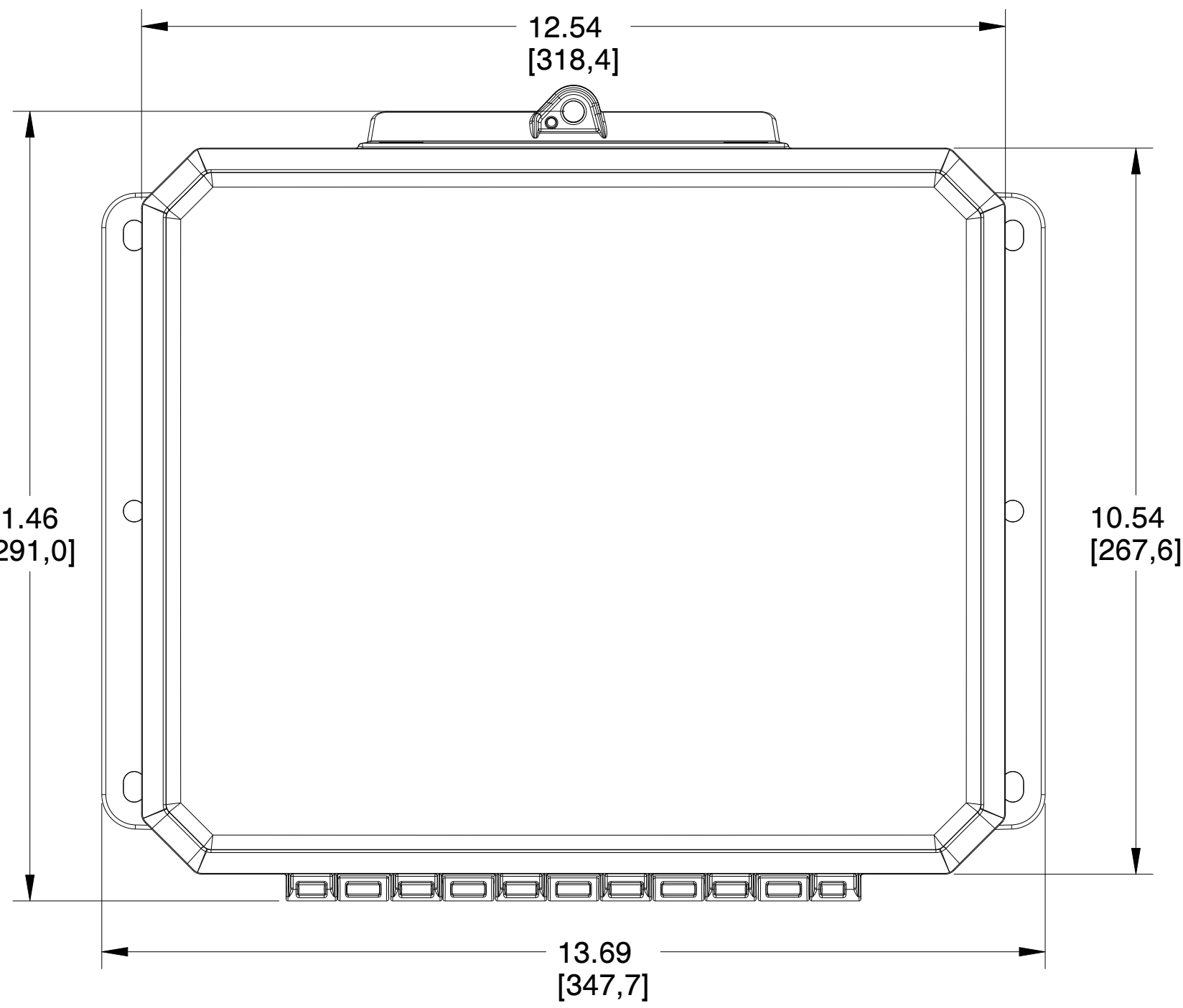
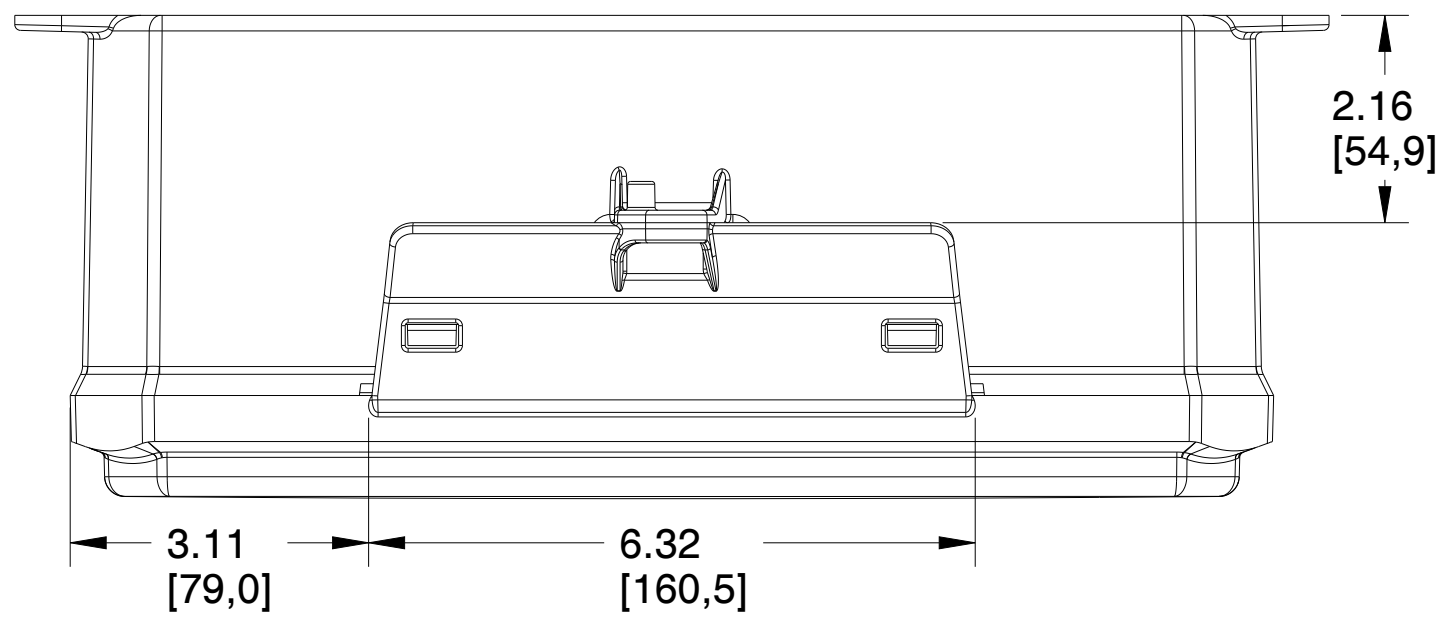


4

3

2

1



DEFAULT TOLERANCES DECIMAL .XX ±0.03 .XXX ±0.010 FRACTIONAL ± 1/16 ANGULAR ±5°			MUM INDUSTRIES 8989 TYLER BLVD MENTOR, OHIO, U.S.A. (440) 269-8155 · FAX (440) 269-8166	
SCALE	SHEET	DRAWN BY		
0.500	1 of 2	A. MORSE		
TITLE		DRAWING NUMBER		
IMP-12X10X4-LPH-GRY-INT		P12104LP		
DATE	DRAWING NUMBER	REV		
04.30.2024		A		

4

3

2

1

D

D

C

C

B

B

A

A

4

3

2

1

D

D

C

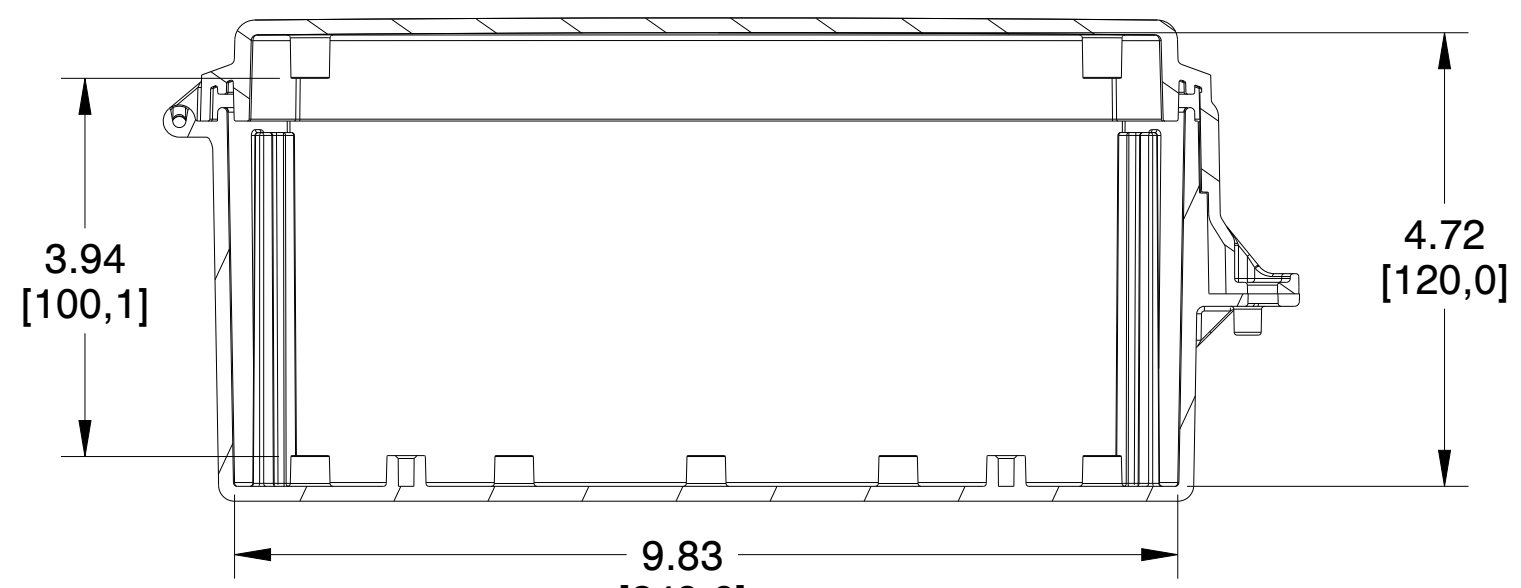
C

B

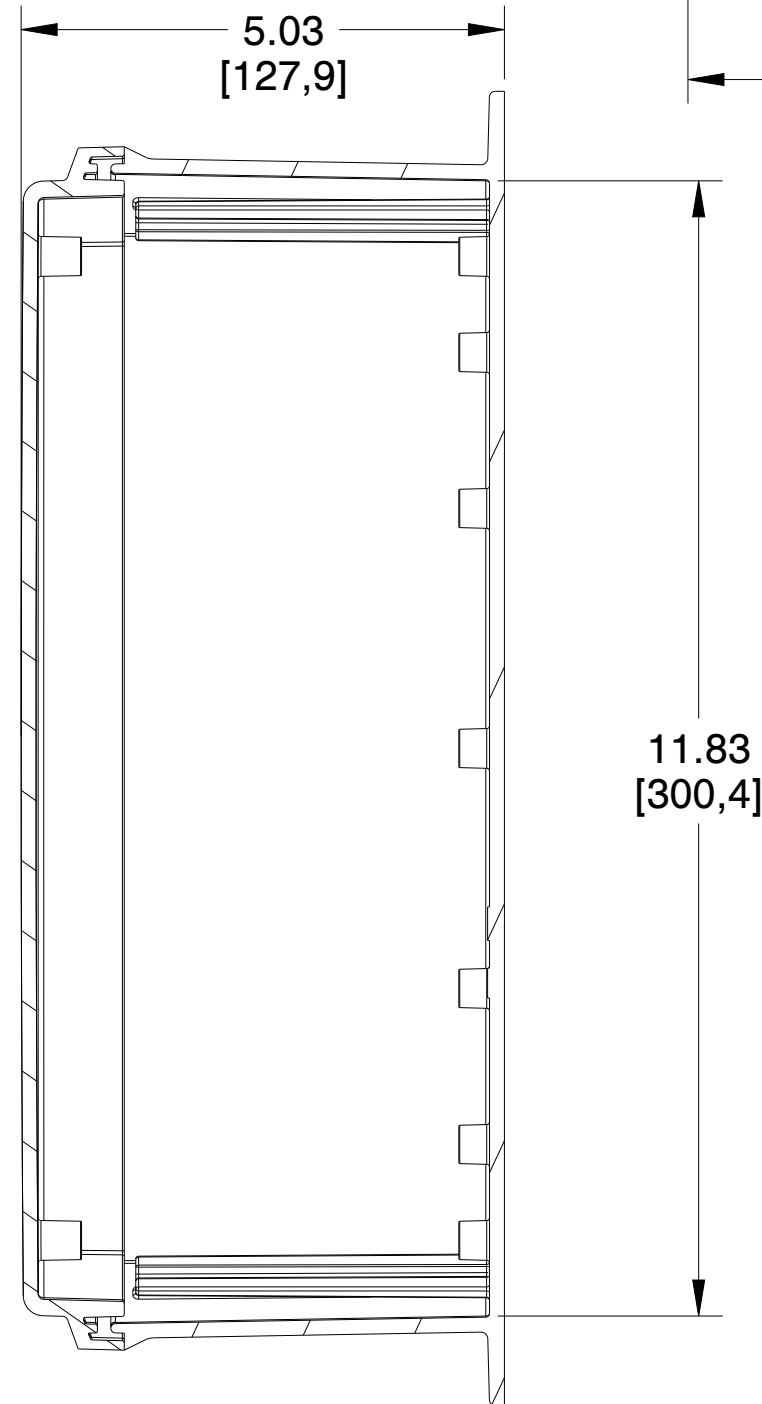
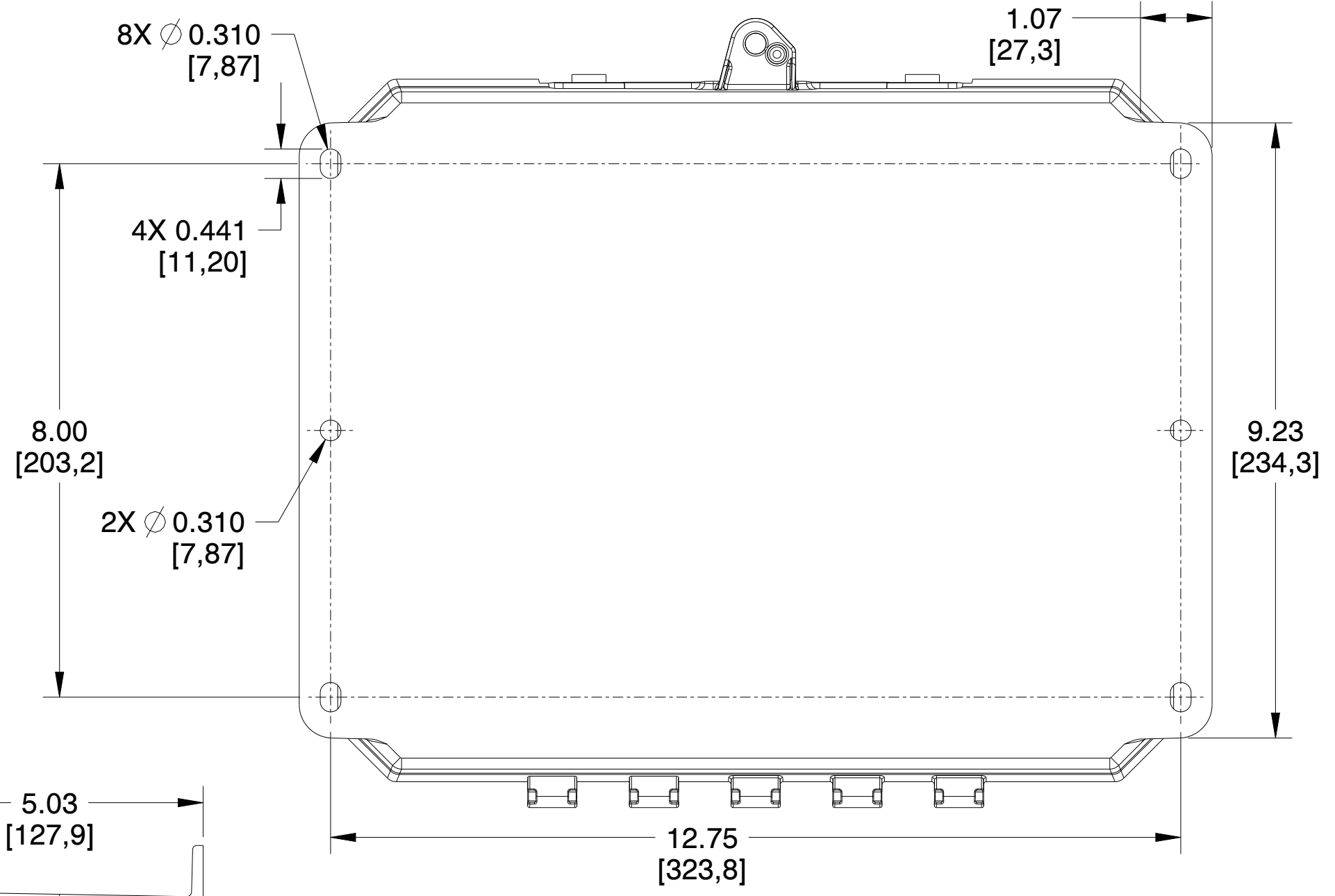
B

A

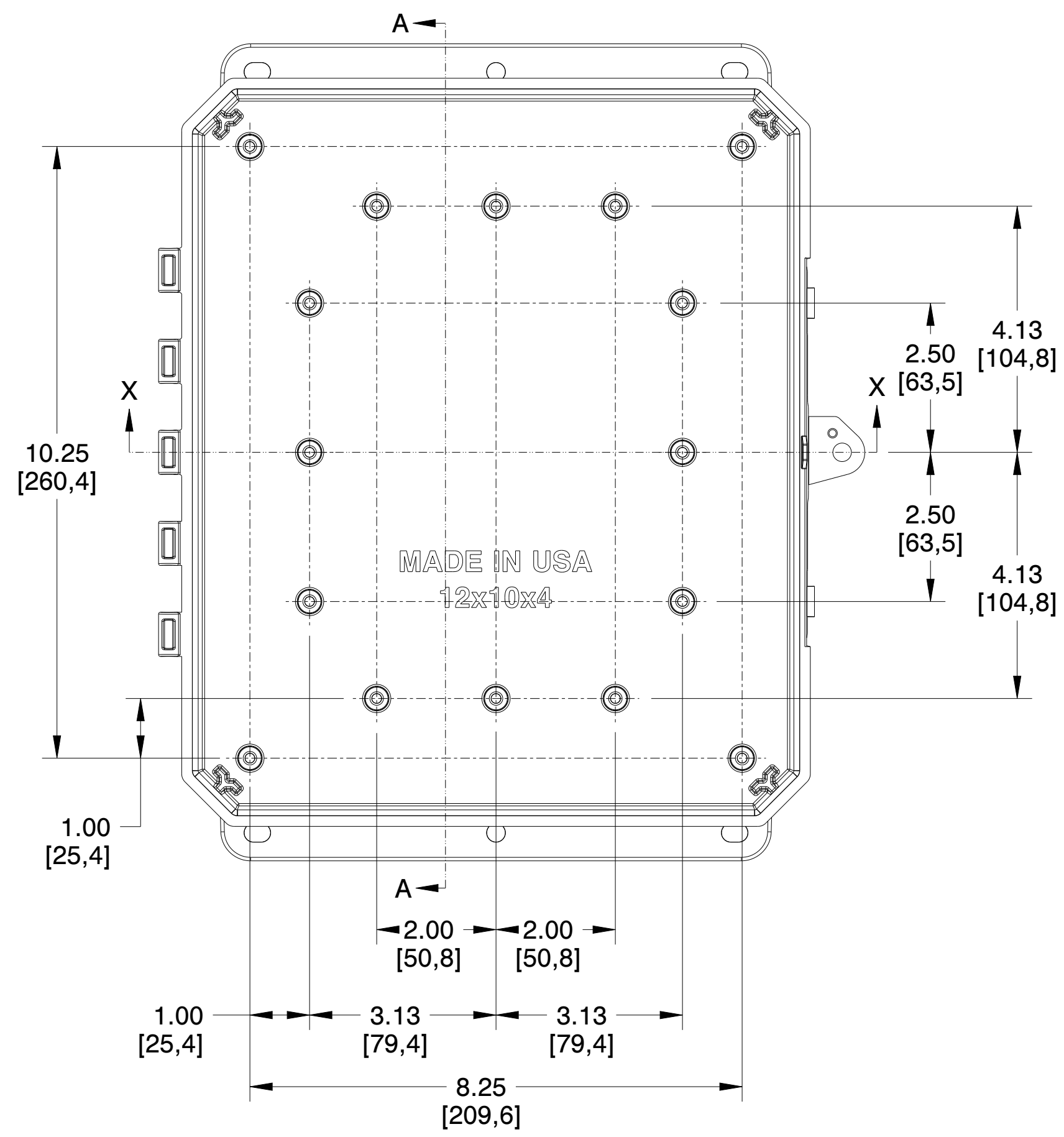
A



SECTION X-X



SECTION A-A



DEFAULT TOLERANCES	INTEGRA ENCLOSURES		MUM INDUSTRIES 8989 TYLER BLVD MENTOR, OHIO, U.S.A. (440) 269-8155 FAX (440) 269-8166
DECIMAL .XX ±0.03 .XXX ±0.010	SCALE 0.500	SHEET 2 of 2	DRAWN BY A. MORSE
FRACTIONAL ± 1/16	TITLE IMP-12X10X4-LPH-GRY-INT		
ANGULAR ±5°	DATE 04.19.2024	DRAWING NUMBER P12104LP	REV A

4

3

2

1