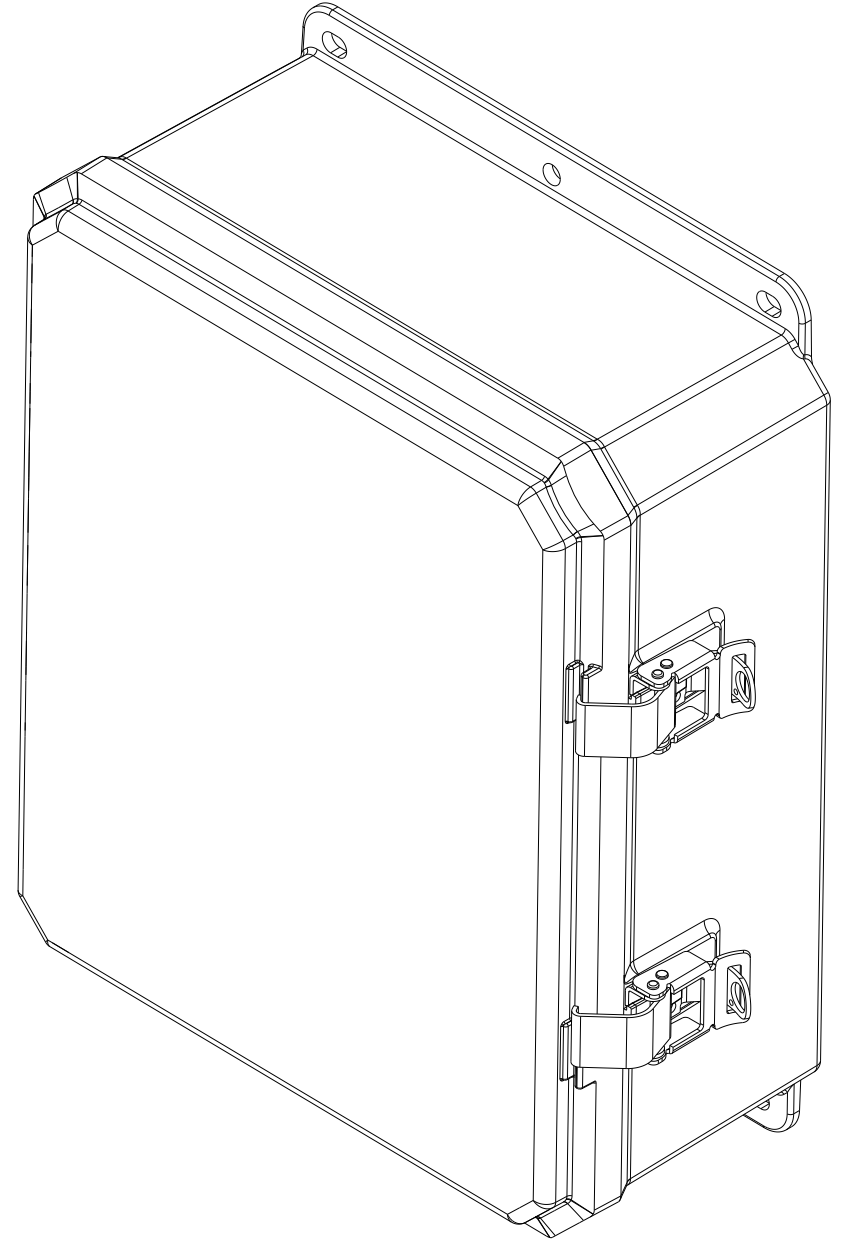
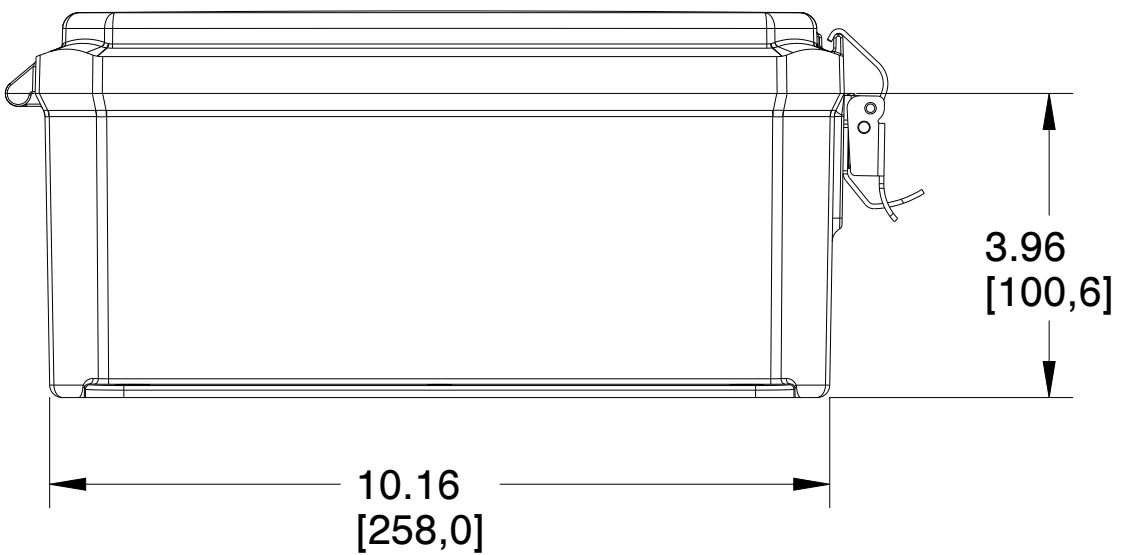
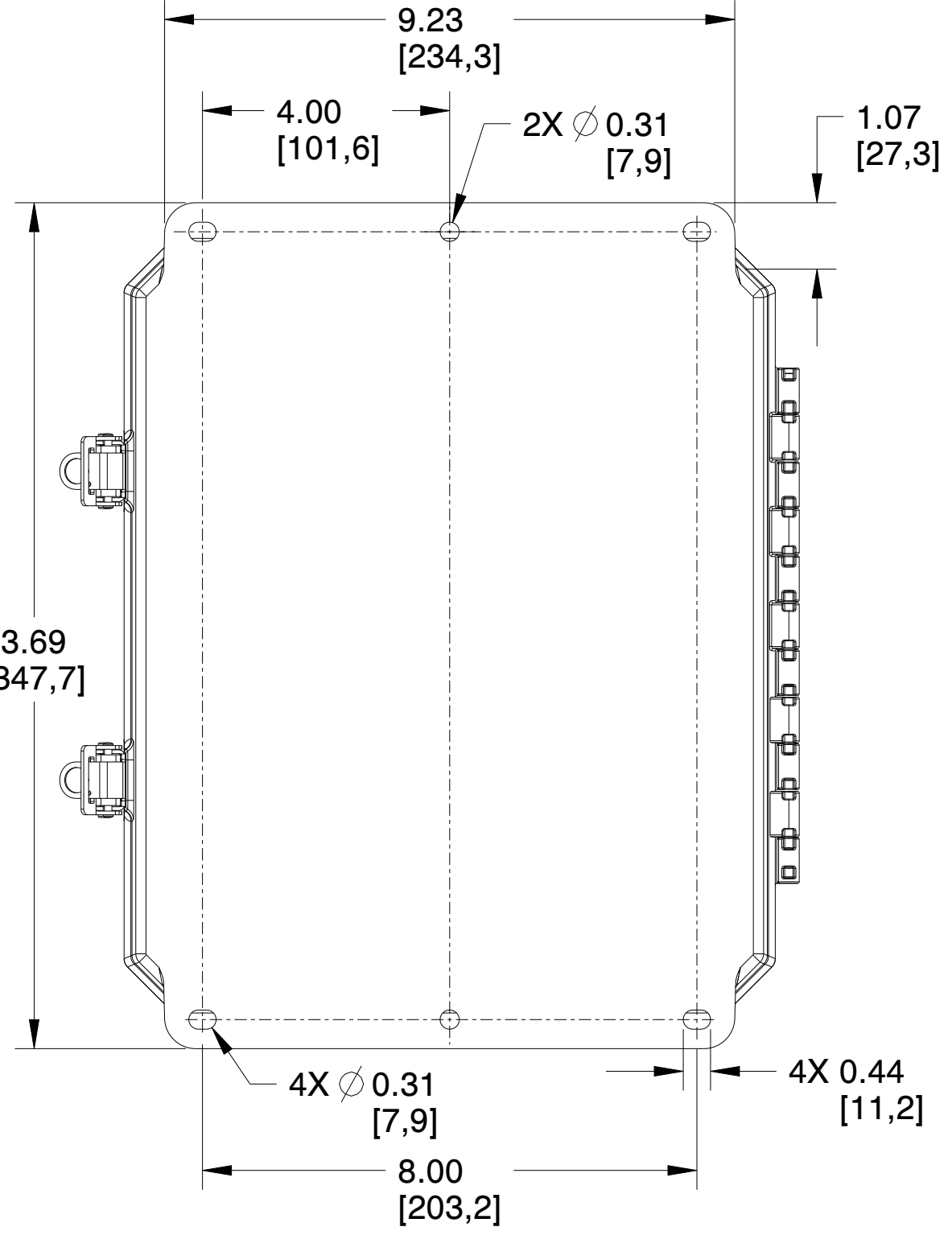
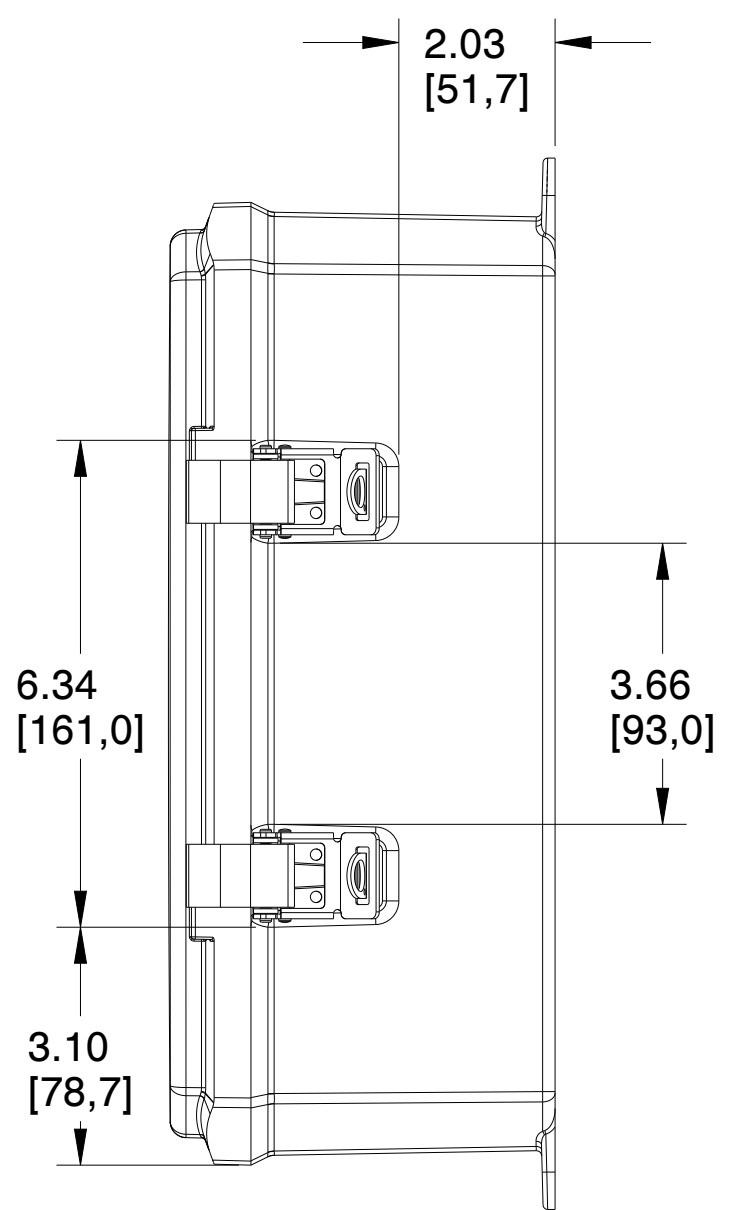
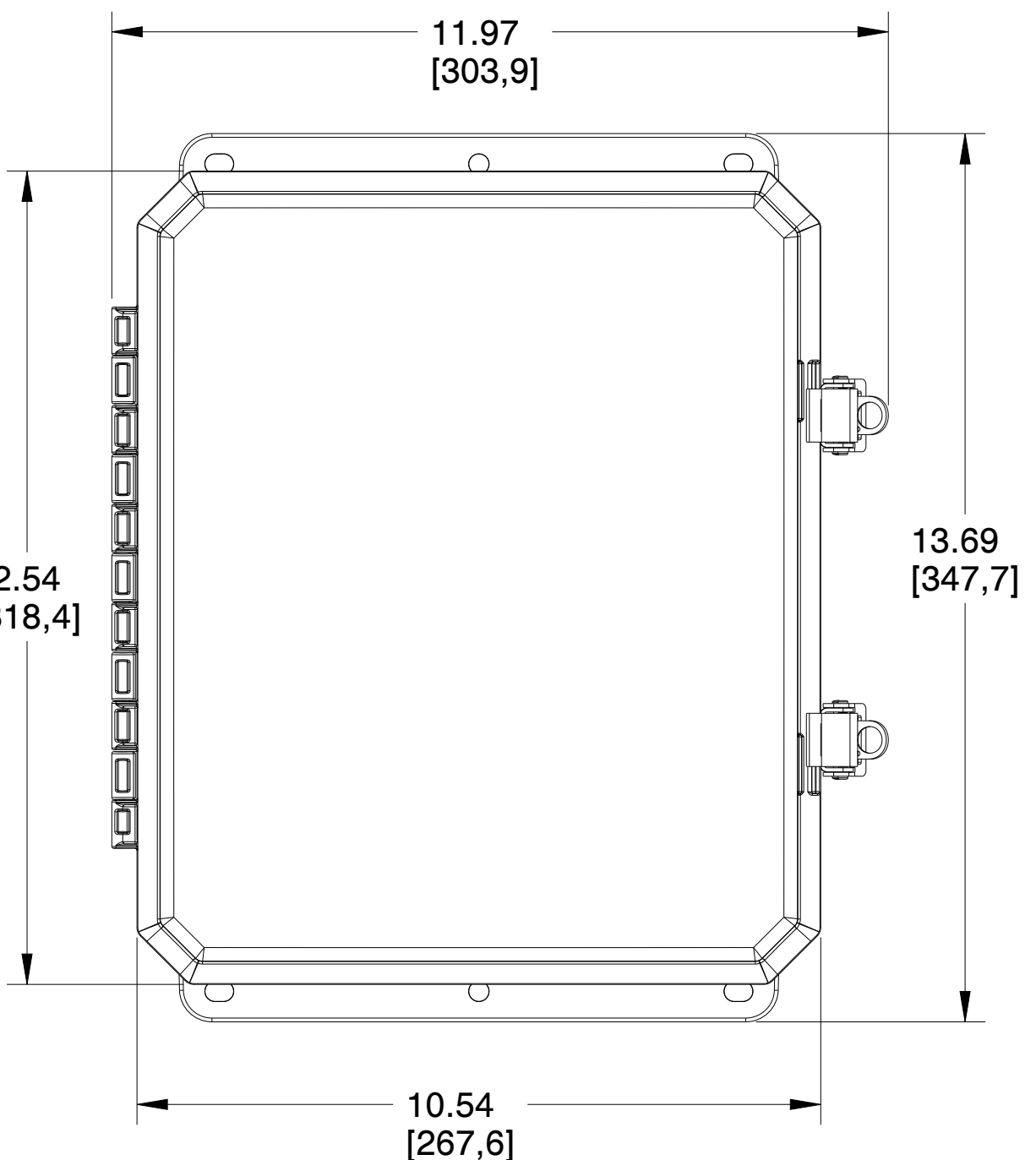
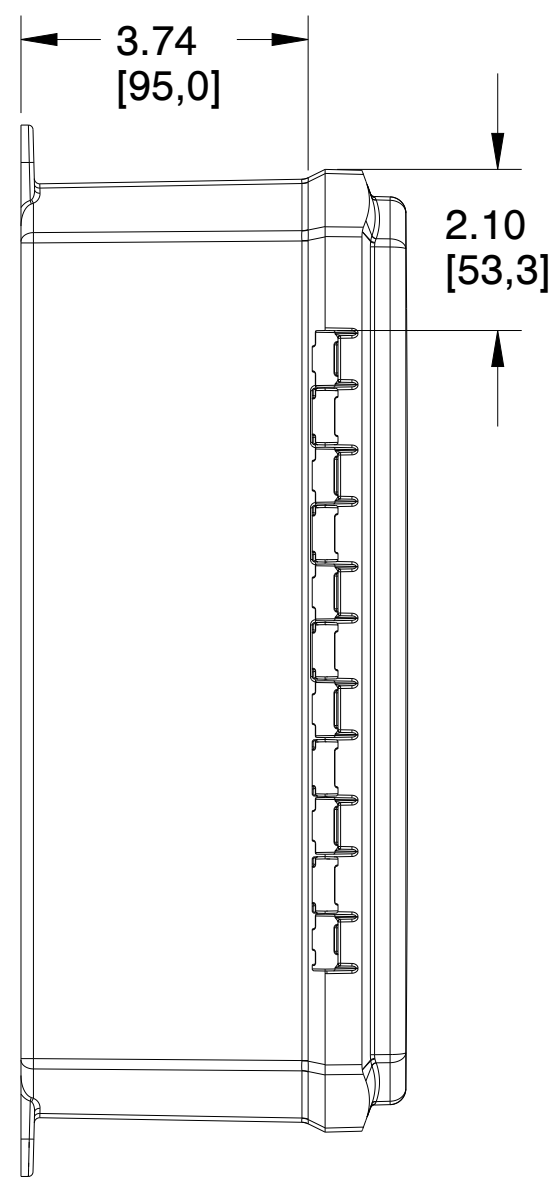


4

3

2

1



DEFAULT TOLERANCES		INTEGRA ENCLOSURES		MUM INDUSTRIES 8989 TYLER BLVD MENTOR, OHIO, U.S.A. (440) 269-8155 FAX (440) 269-8166	
DECIMAL .XX ±0.03 .XXX ±0.010	SCALE 0.400	SHEET 1 of 2	DRAWN BY A. MORSE		
FRACTIONAL ± 1/16	TITLE IMP-12X10X4-LPH-GRY-SLL				
ANGULAR ±5°	DATE 04.30.2024	DRAWING NUMBER P12104LPLL		REV A	

4

3

2

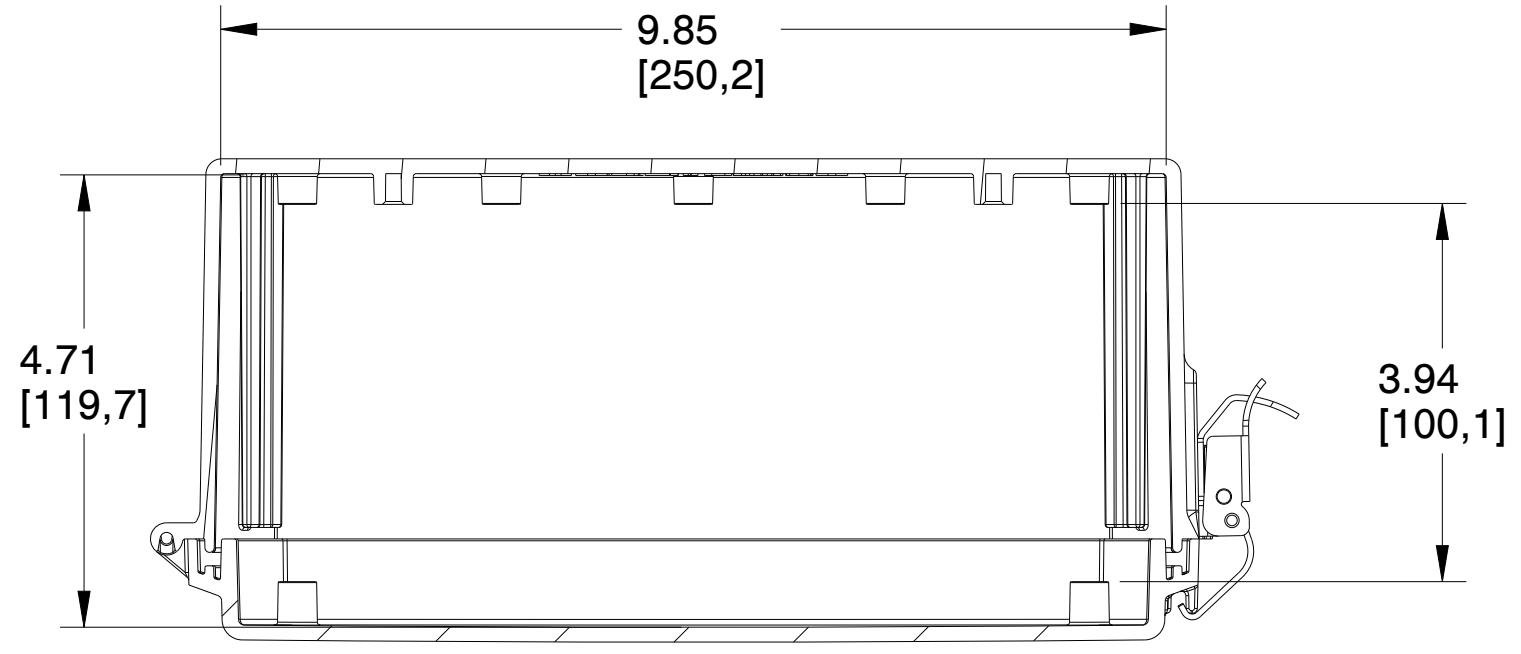
1

4

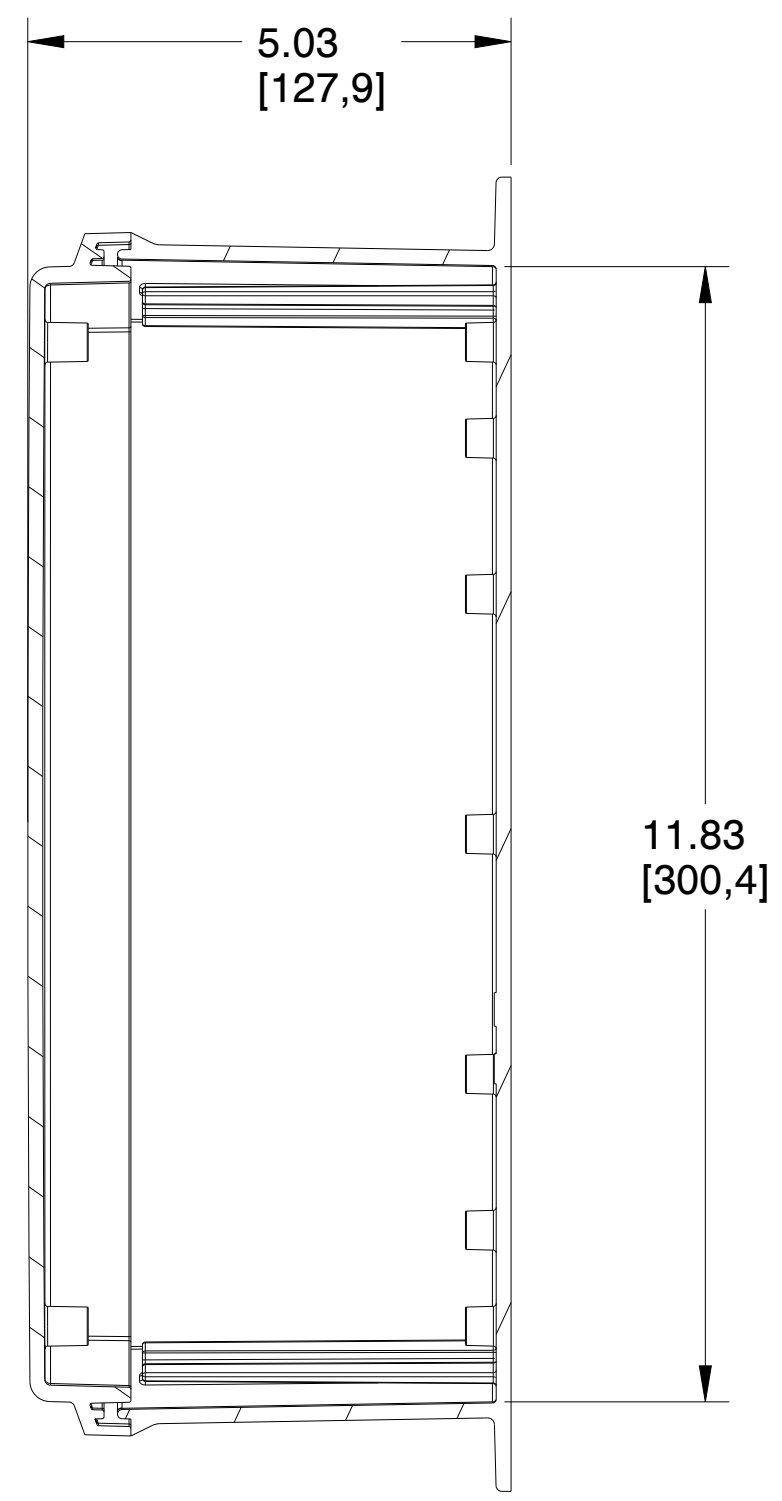
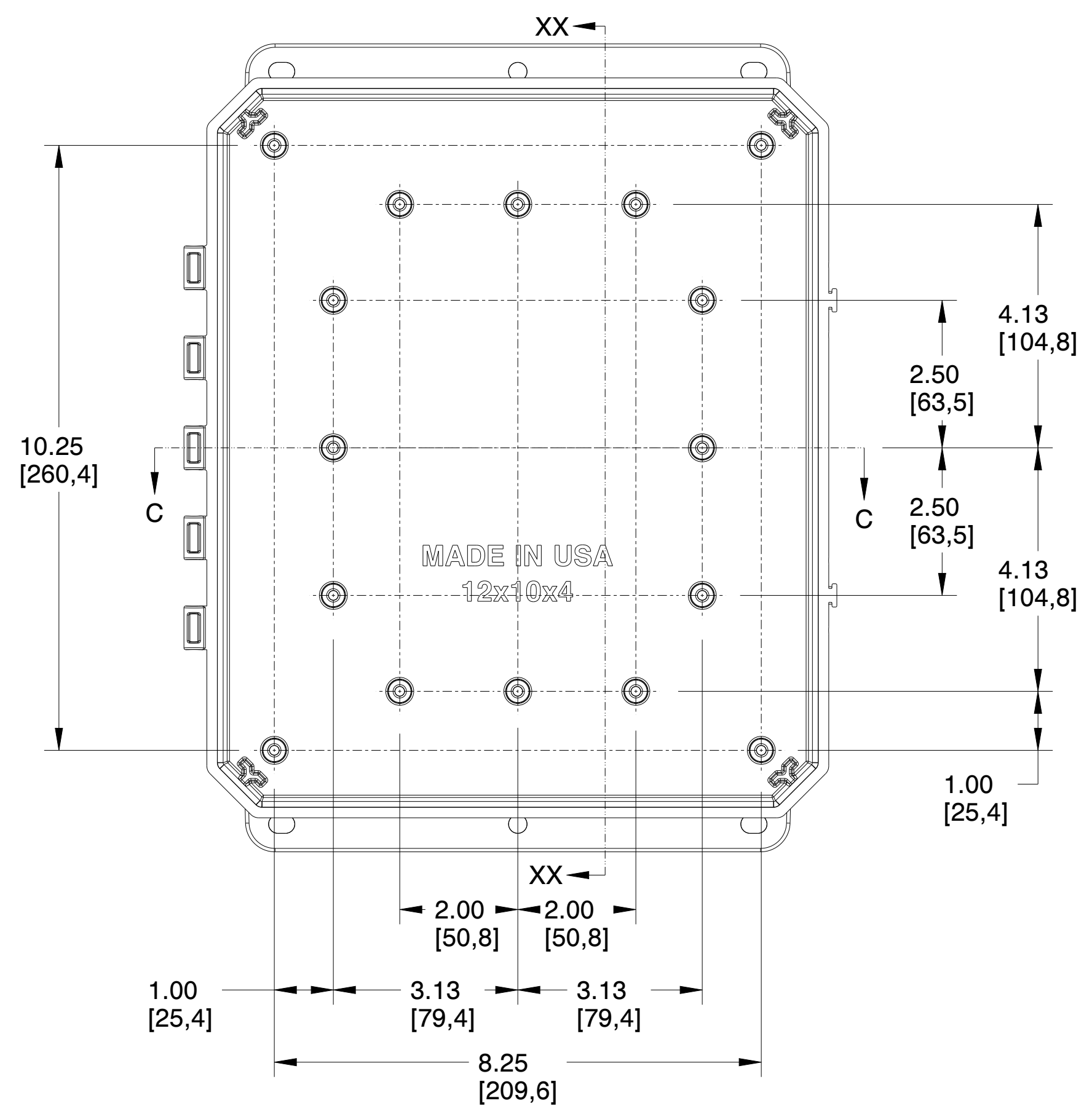
3

2

1



SECTION C-C



SECTION XX-XX

DEFAULT TOLERANCES	INTEGRA ENCLOSURES	MUM INDUSTRIES 8989 TYLER BLVD MENTOR, OHIO, U.S.A. (440) 269-8155 FAX (440) 269-8166
DECIMAL .XX ±0.03 .XXX ±0.010	SCALE 0.500	SHEET 2 of 2
FRACTIONAL ± 1/16	DRAWN BY A. MORSE	
ANGULAR ±5°	DATE 04.30.2024	DRAWING NUMBER P12104LPLL
		REV A

4

3

2

1