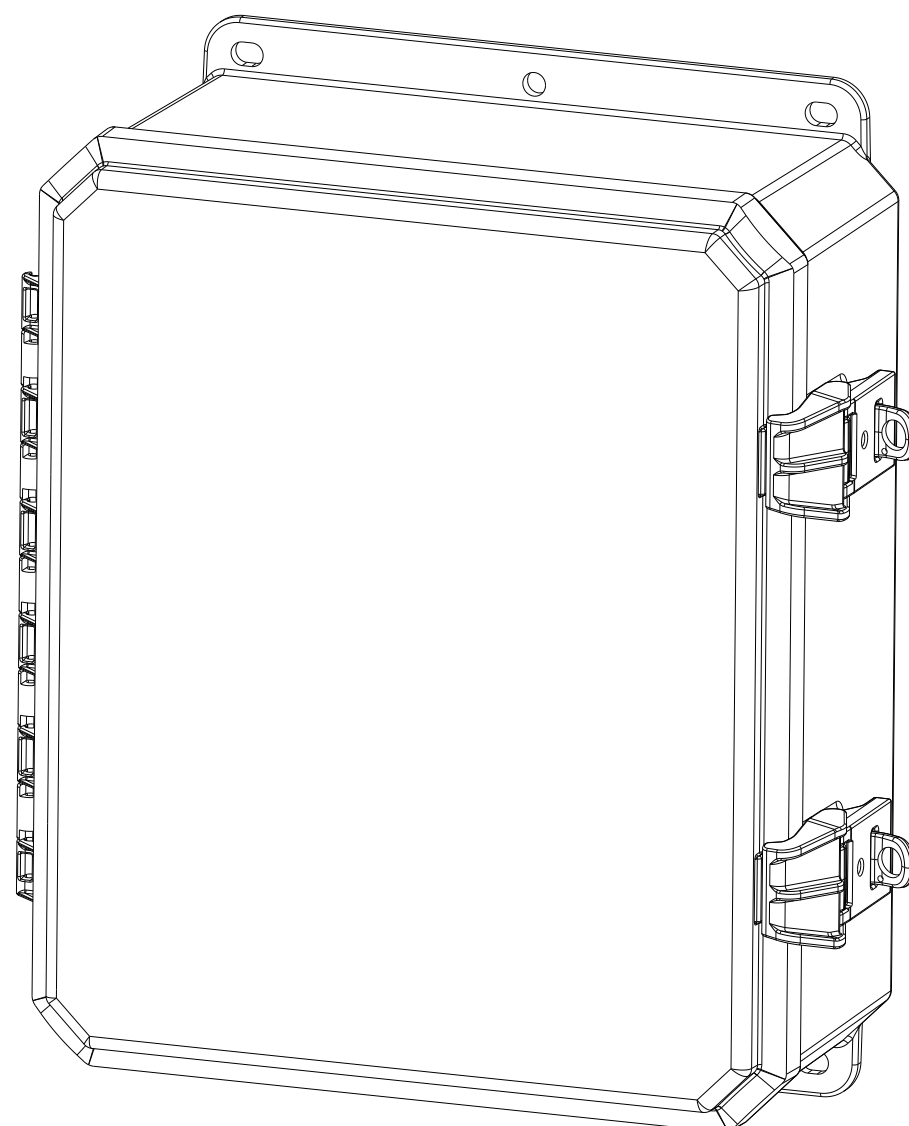
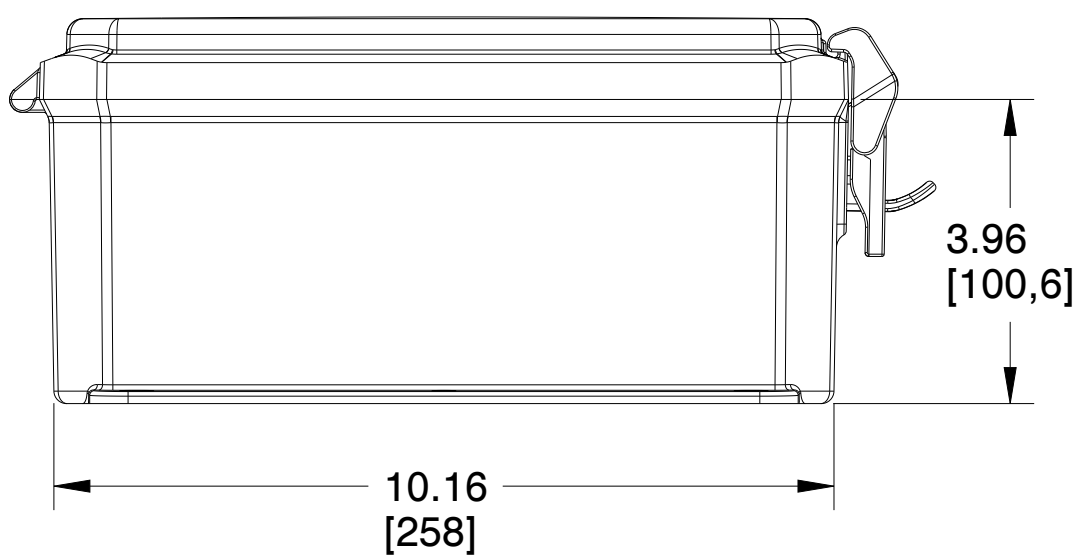
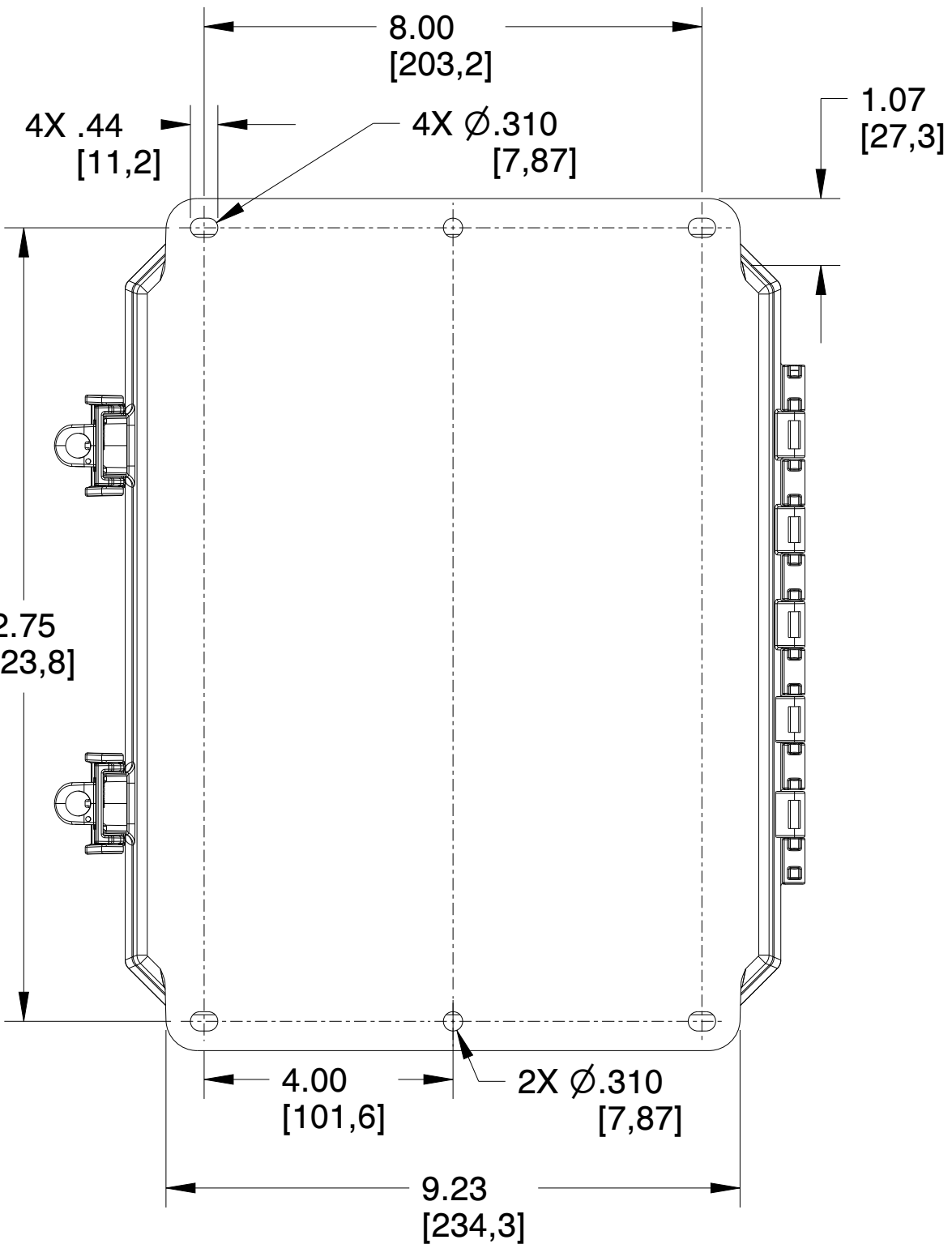
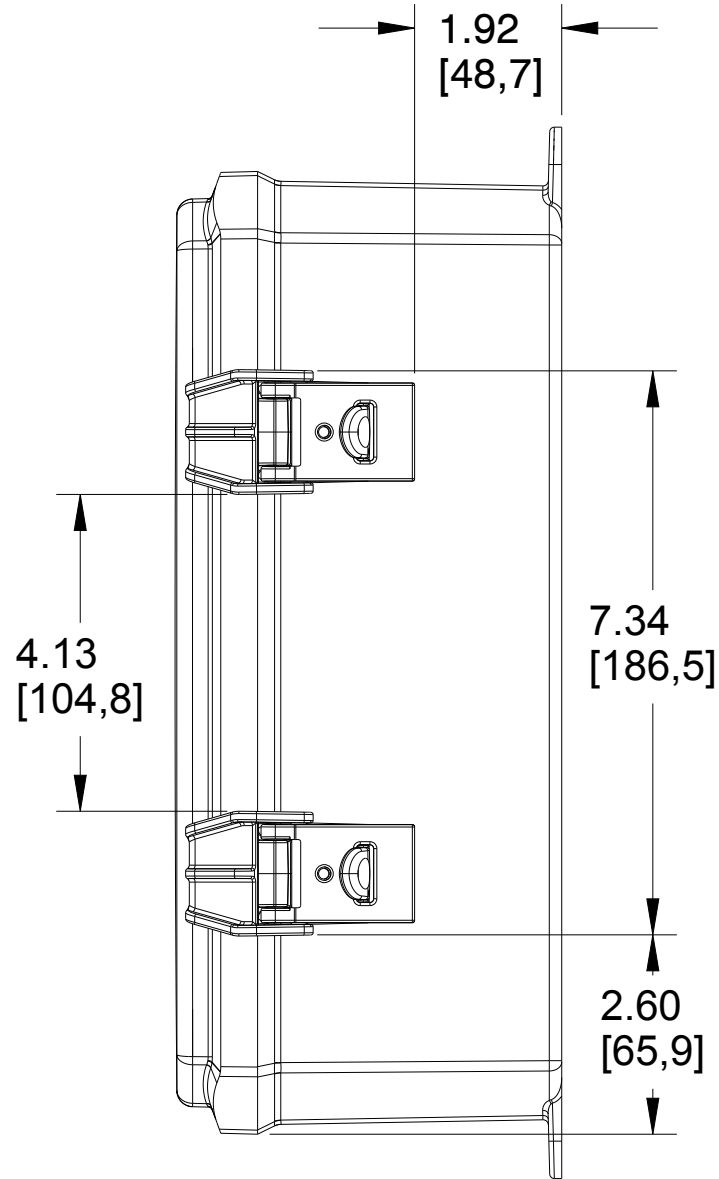
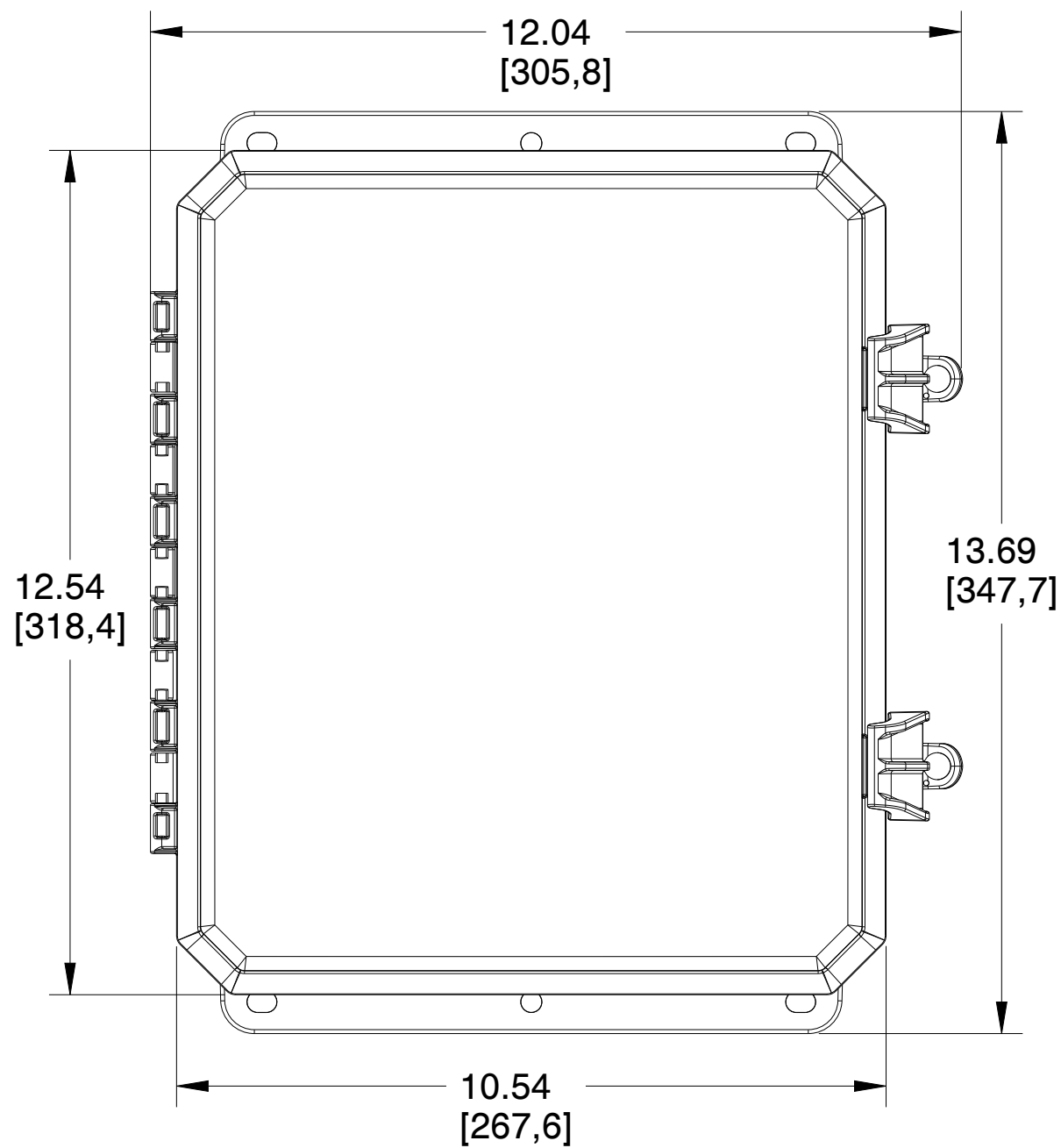
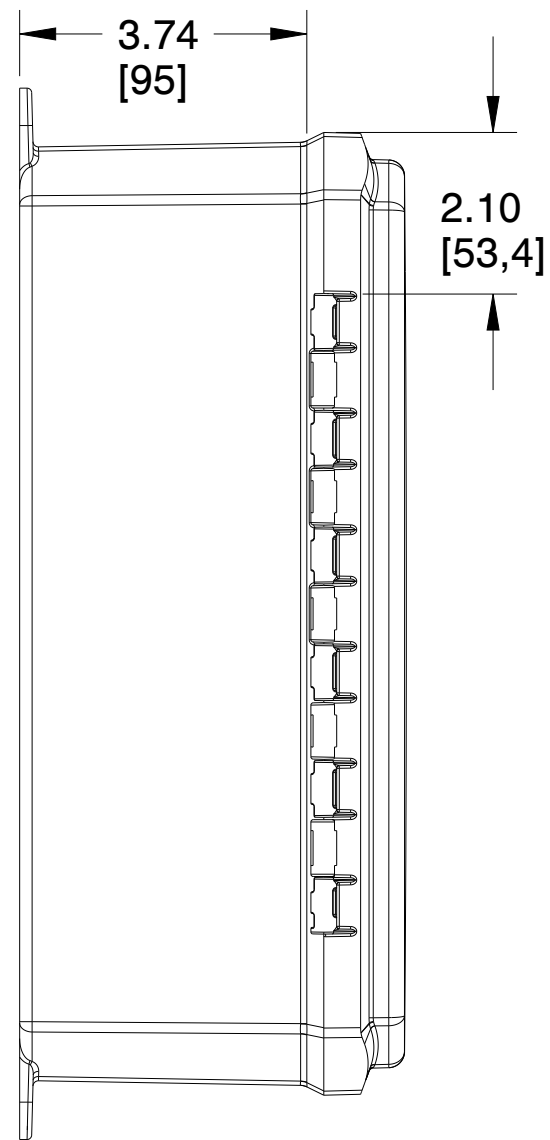


4

3

2

1



DEFAULT TOLERANCES		<b>INTEGRA ENCLOSURES</b>		MUM INDUSTRIES 8989 TYLER BLVD MENTOR, OHIO, U.S.A. (440) 269-8155 FAX (440) 269-8166	
DECIMAL	SCALE	SHEET	DRAWN BY		
.XX ±0.03 .XXX ±0.010	0.400	1 of 2	A. MORSE		
FRACTIONAL	TITLE				
± 1/16	IMP-12X10X4-LPH-GRY-SLL				
ANGULAR	DATE	DRAWING NUMBER	REV		
±5°	05.02.2024	P12104LPNL	A		

4

3

2

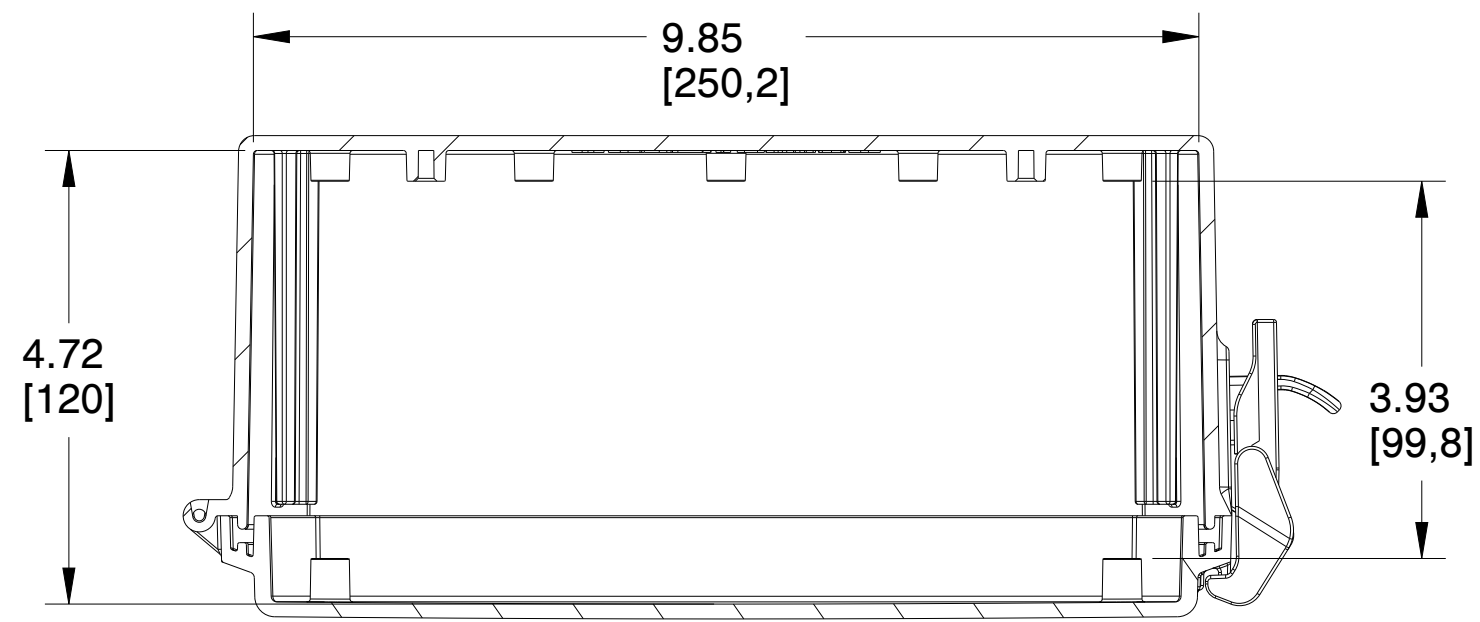
1

4

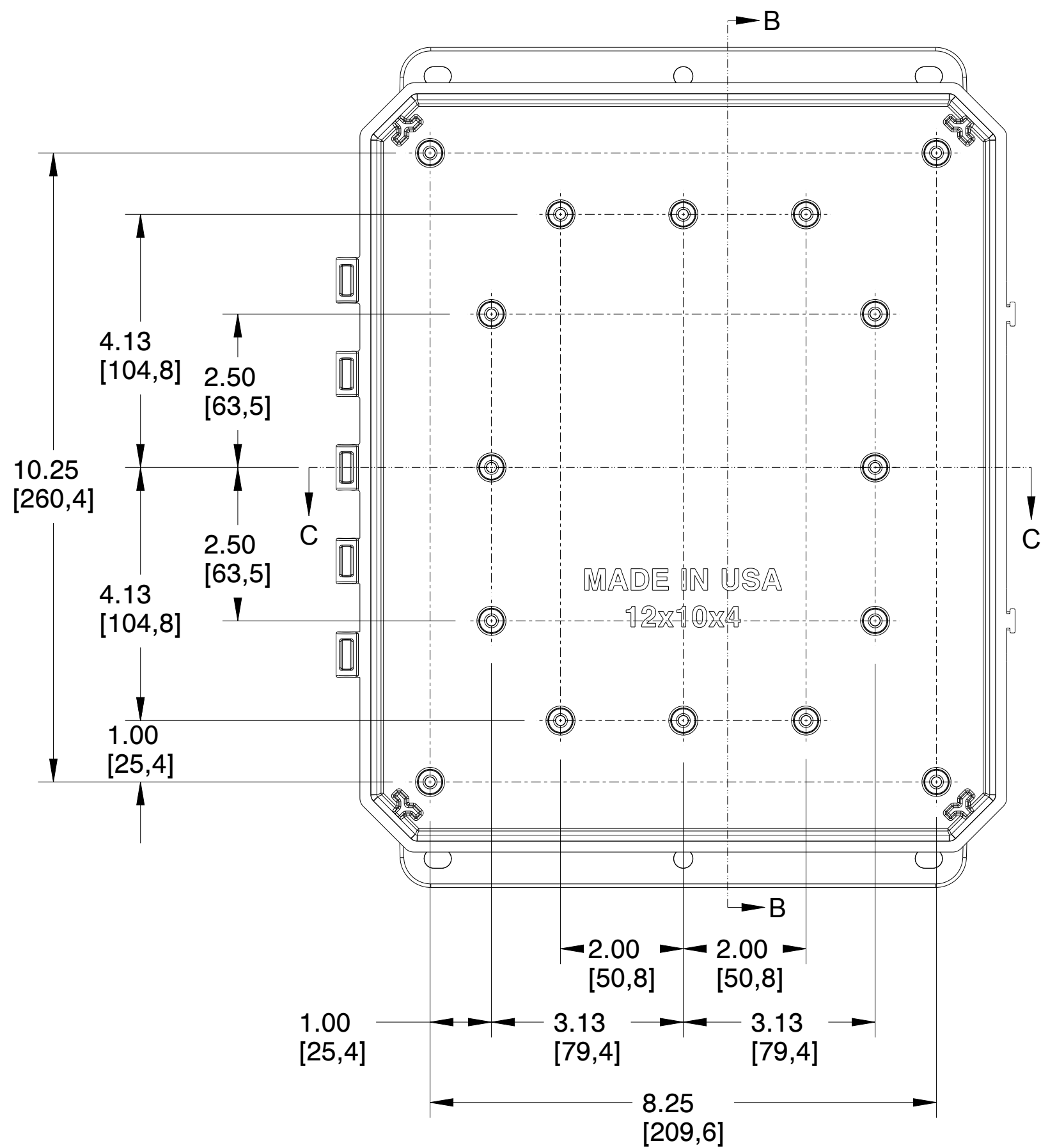
3

2

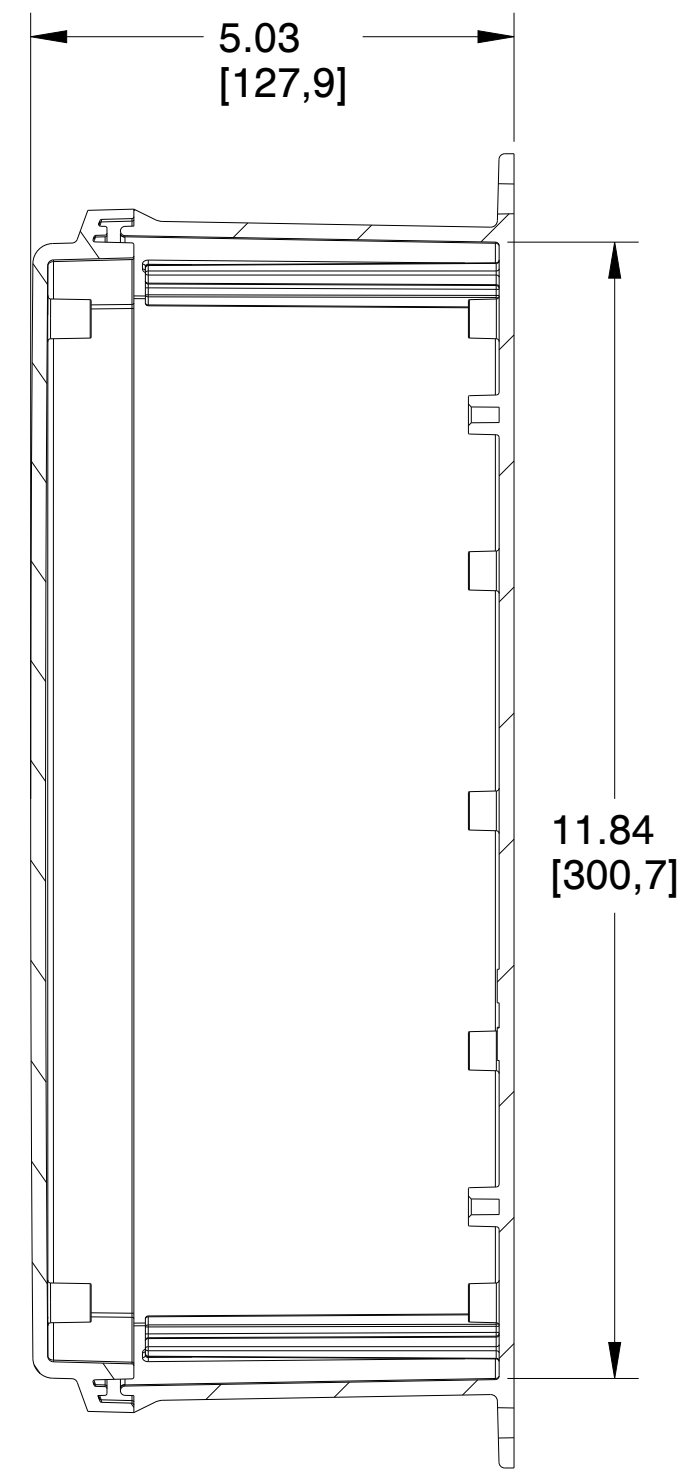
1



SECTION C-C



MADE IN USA  
12x10x4



SECTION B-B

DEFAULT TOLERANCES	<b>INTEGRA ENCLOSURES</b>	MUM INDUSTRIES 8989 TYLER BLVD MENTOR, OHIO, U.S.A. (440) 269-8155 FAX (440) 269-8166	
DECIMAL .XX ±0.03 .XXX ±0.010	SCALE <b>0.400</b>	SHEET <b>2 of 2</b>	DRAWN BY <b>A. MORSE</b>
FRACTIONAL ± 1/16	TITLE <b>IMP-12X10X4-LPH-GRY-SLL</b>		
ANGULAR ±5°	DATE <b>05.02.2024</b>	DRAWING NUMBER <b>P12104LPNL</b>	REV <b>A</b>

4

3

2

1