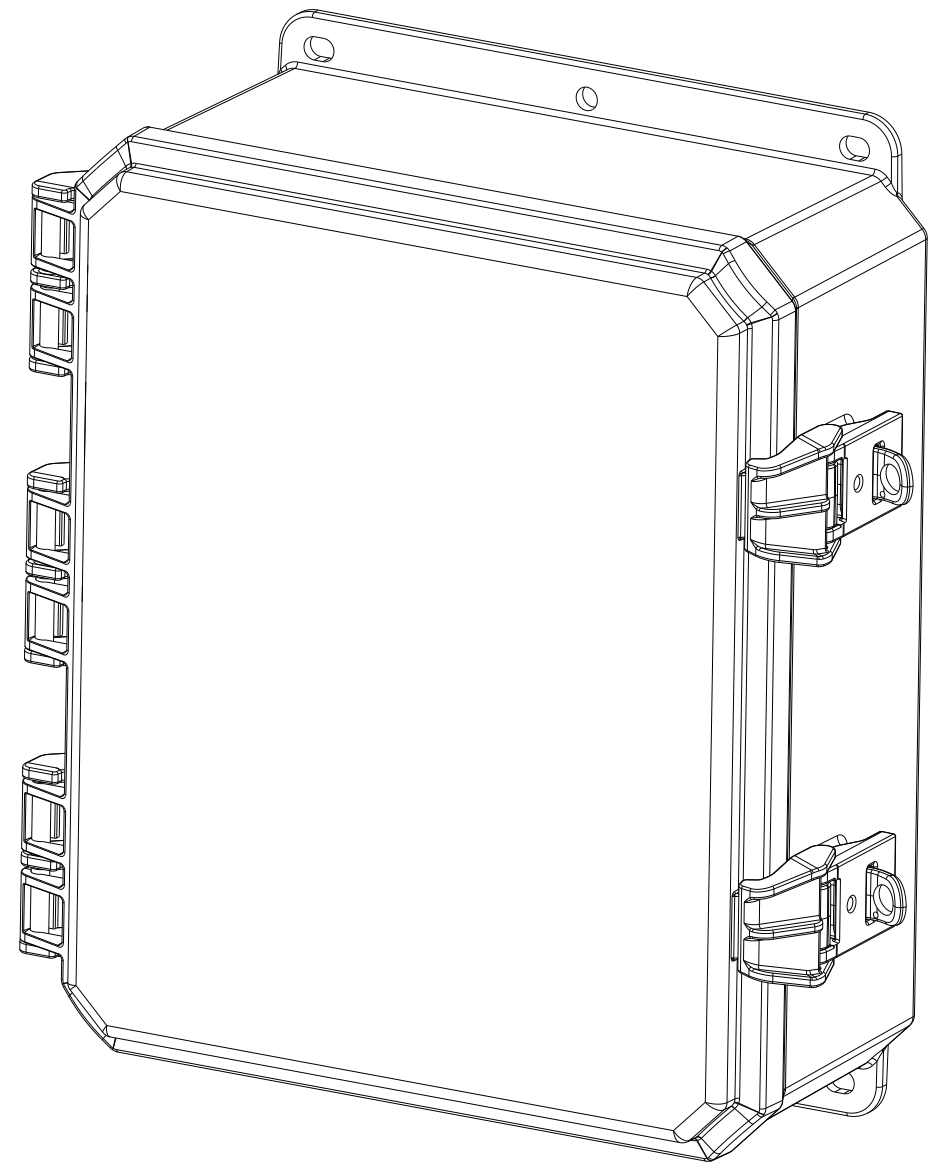
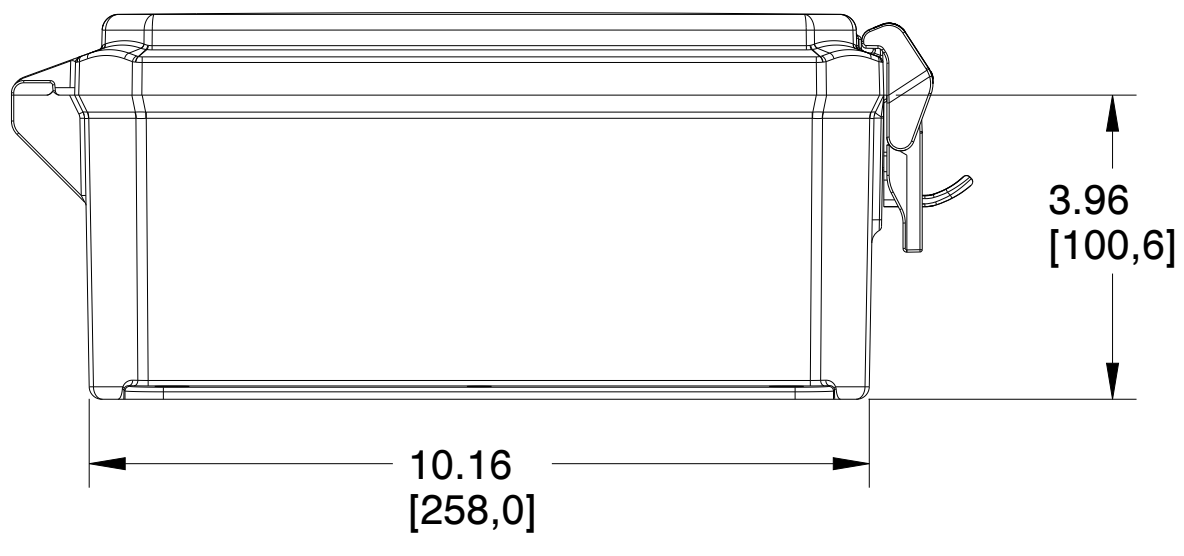
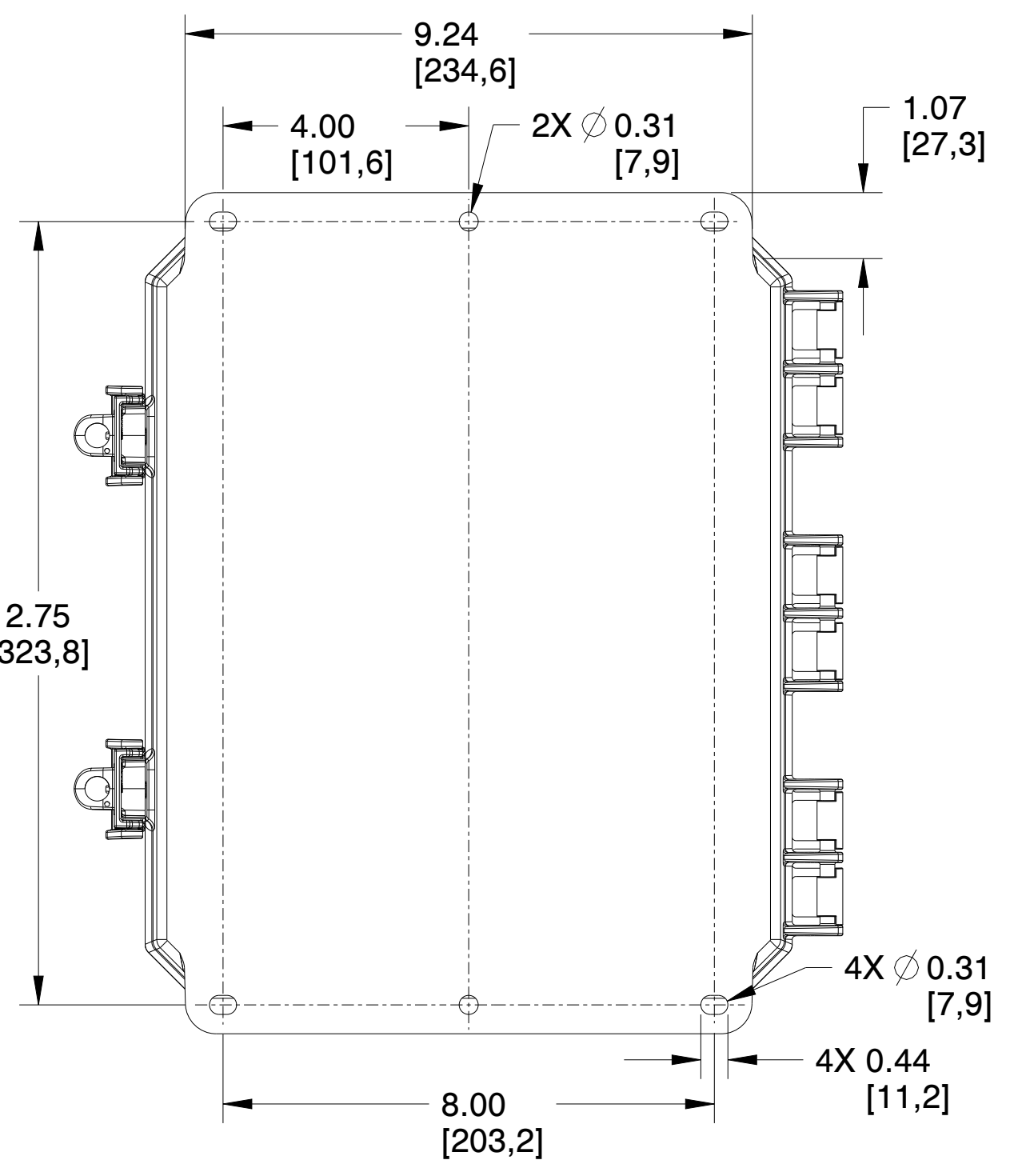
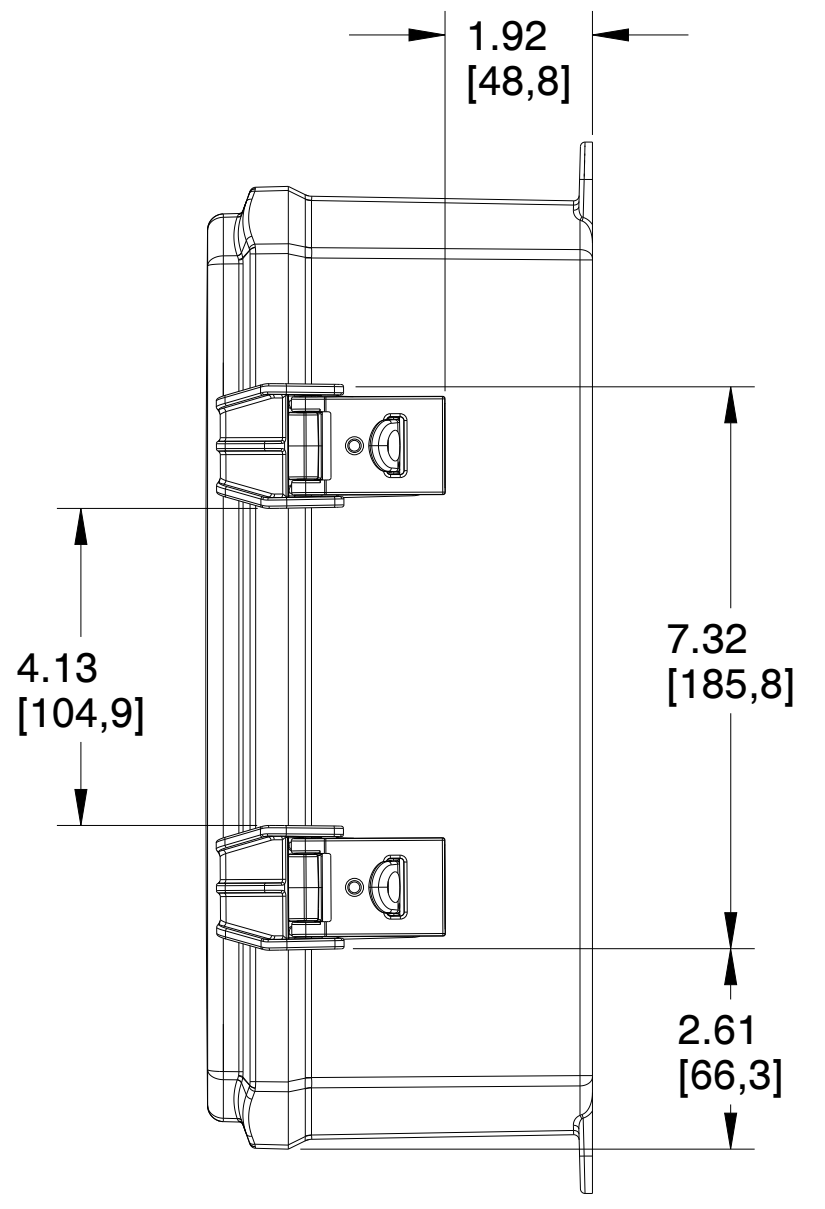
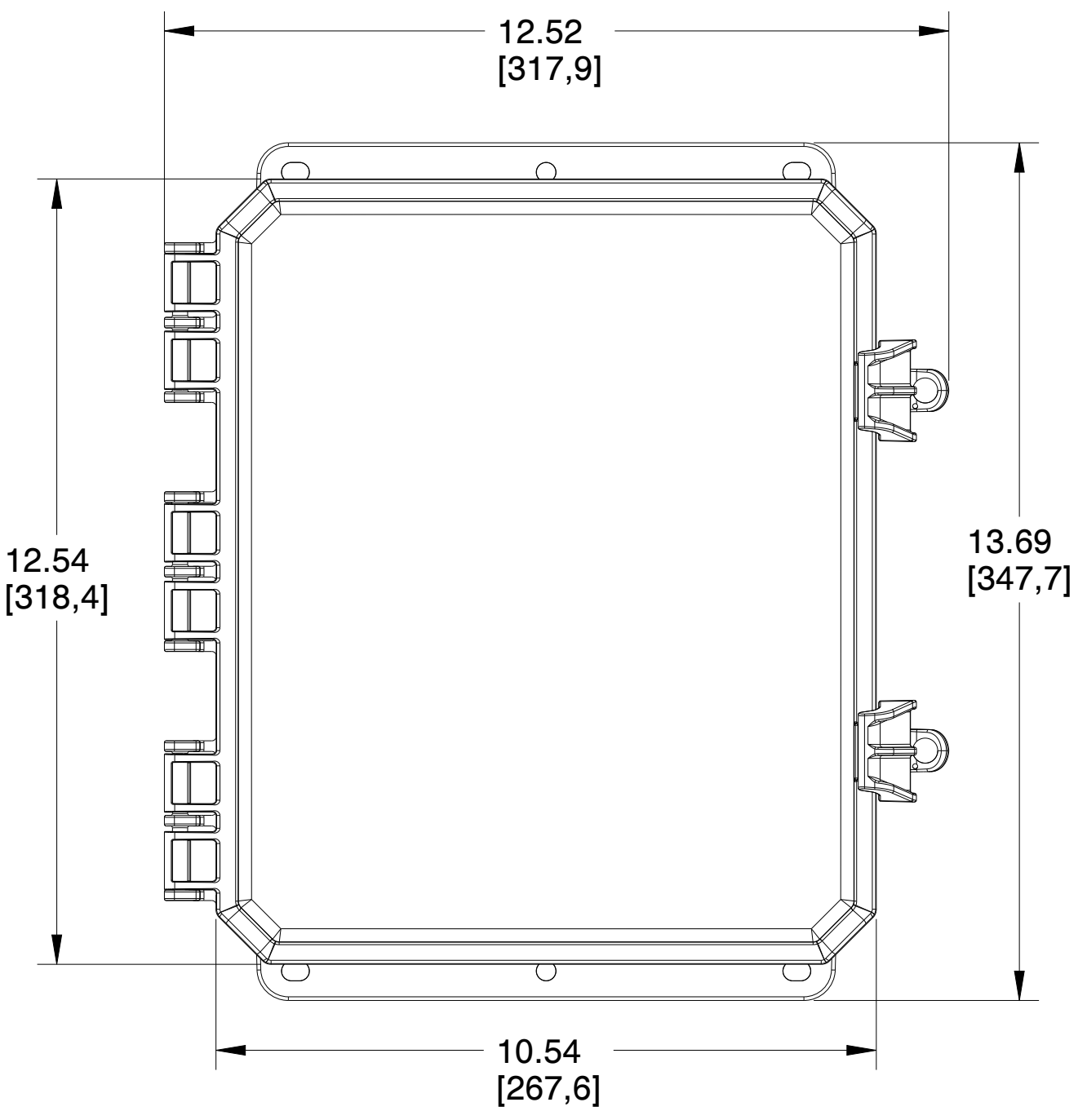
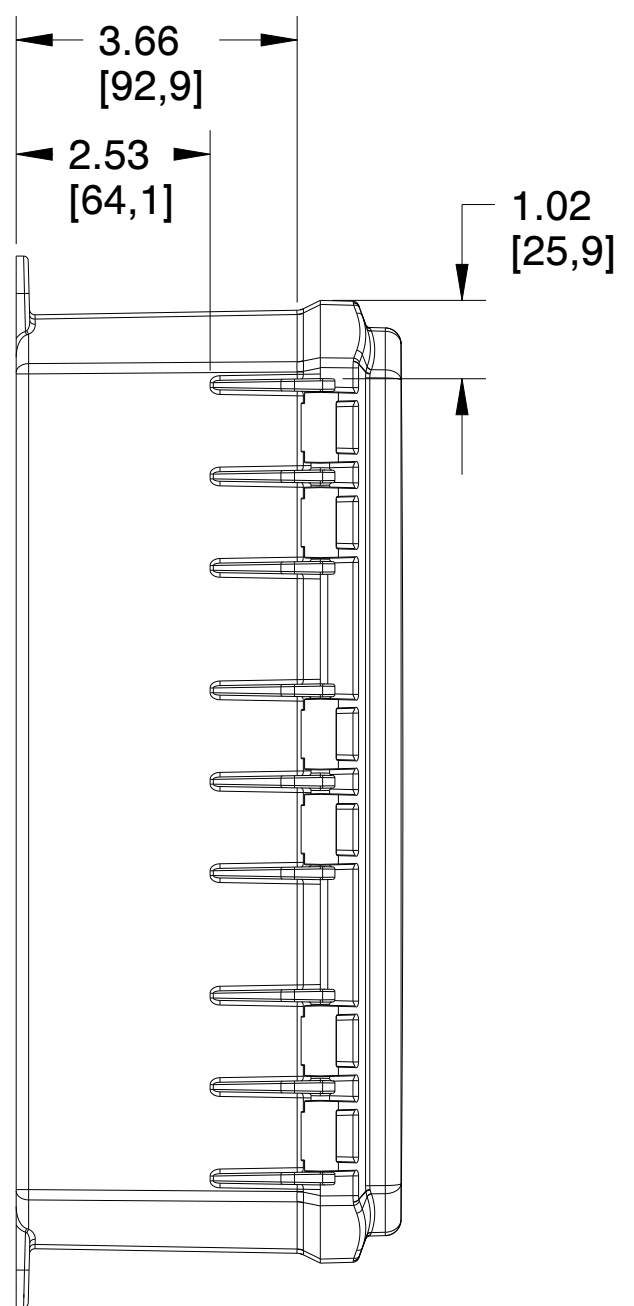


4

3

2

1



| | | | | | |
|-------------------------------------|-----------------------------------------|----------------------------|-----------------------------|------------------------------------------------------------------------------------------------|--|
| DEFAULT TOLERANCES | | INTEGRA ENCLOSURES | | MUM INDUSTRIES 8989 TYLER BLVD MENTOR, OHIO, U.S.A. (440) 269-8155 FAX (440) 269-8166 | |
| DECIMAL .XX ±0.03 .XXX ±0.010 | SCALE 0.400 | SHEET 1 of 2 | DRAWN BY A. MORSE | | |
| FRACTIONAL ± 1/16 | TITLE IMP-12X10X4-HNG-GRY-NML | | | | |
| ANGULAR ±5° | DATE 04.30.2024 | DRAWING NUMBER P12104NL | | REV A | |

4

3

2

1

D

D

C

C

B

B

A

A

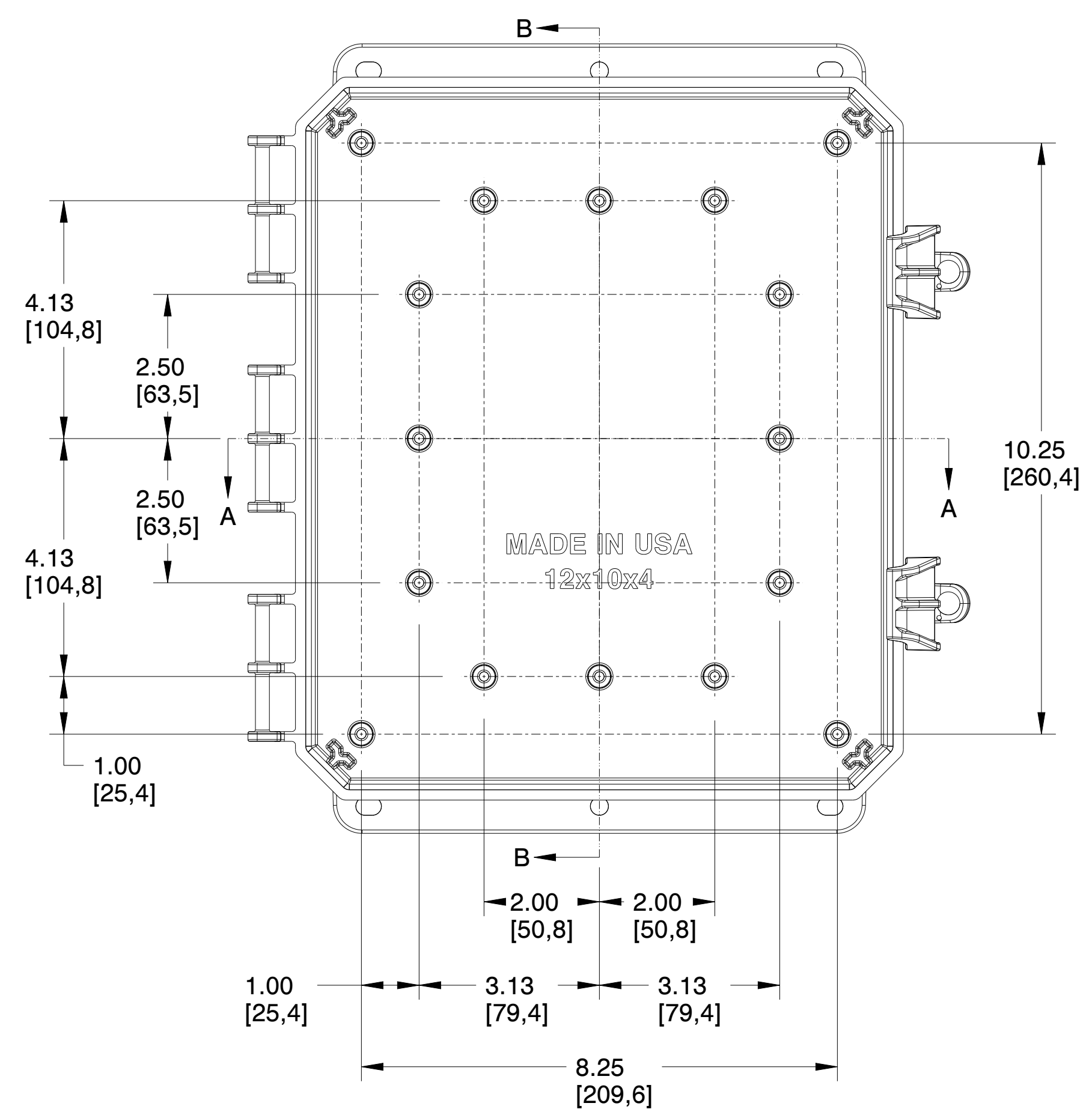


9.84
[249,9]

3.93
[99,8]

4.72
[120,0]

SECTION A-A



4.13
[104,8]

2.50
[63,5]

2.50
[63,5]

4.13
[104,8]

1.00
[25,4]

10.25
[260,4]

2.00
[50,8]

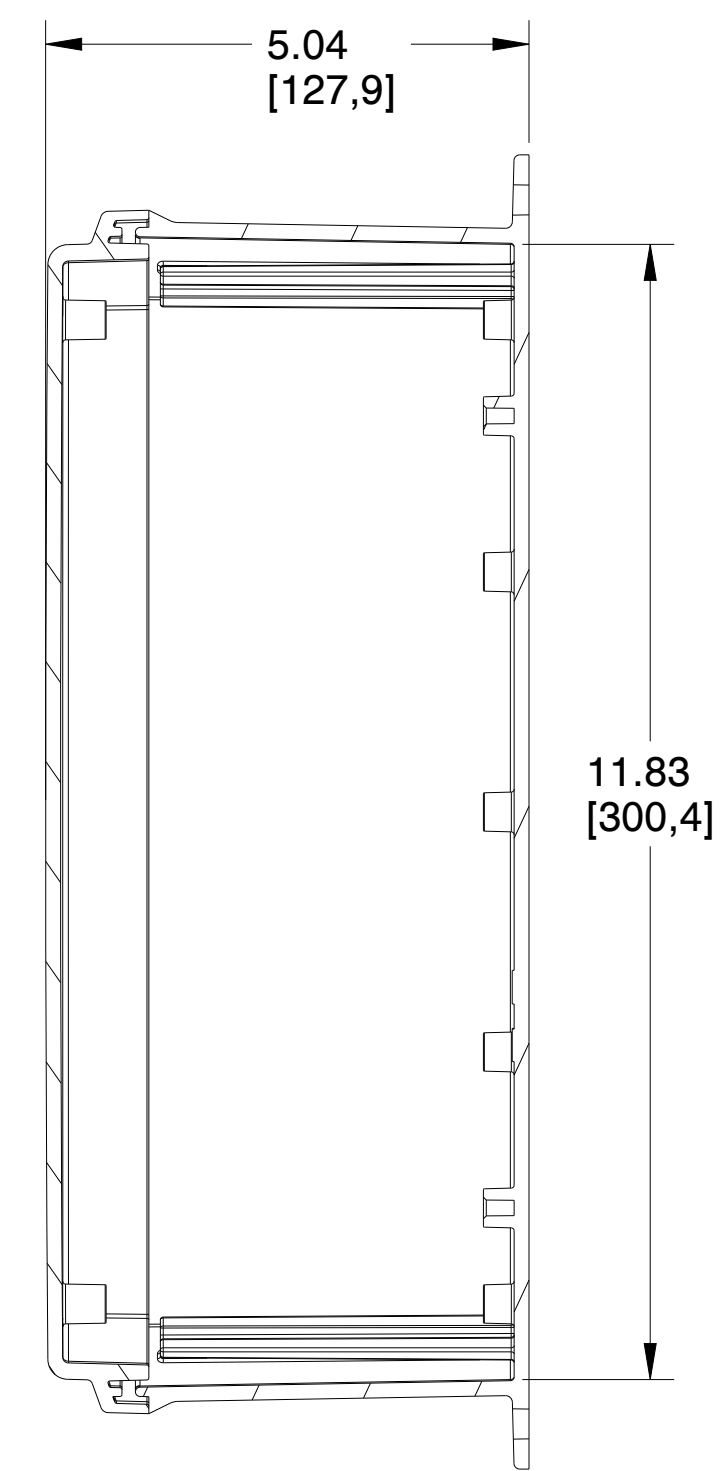
2.00
[50,8]

1.00
[25,4]

3.13
[79,4]

3.13
[79,4]

8.25
[209,6]



5.04
[127,9]

11.83
[300,4]

SECTION B-B

| | | | |
|-------------------------------------|-----------------------------------------|-----------------------------------|------------------------------------------------------------------------------------------------|
| DEFAULT TOLERANCES | INTEGRA ENCLOSURES | | MUM INDUSTRIES 8989 TYLER BLVD MENTOR, OHIO, U.S.A. (440) 269-8155 FAX (440) 269-8166 |
| DECIMAL .XX ±0.03 .XXX ±0.010 | SCALE 0.500 | SHEET 2 of 2 | DRAWN BY A. MORSE |
| FRACTIONAL ± 1/16 | TITLE IMP-12X10X4-HNG-GRY-NML | | |
| ANGULAR ±5° | DATE 04.30.2024 | DRAWING NUMBER P12104NL | REV A |