

10X8X4 IMPACT[®] SERIES



Features & Benefits

- **Quality material** – bases, opaque covers and clear covers are all made of high-impact, UV resistant polycarbonate.
- **Frequency friendly** – 100% metal free configurations available which is extremely favorable for sending and receiving wireless signals.
- **Easy installation** – with molded mounting flanges, so no extra hardware is needed.
- **Flexible interior mounting** – bosses on rear wall and lid of opaque enclosure provide multiple mounting options for DIN rail, back panels, or other components.
- **Standard color** – light gray with a gloss finish.
- **UL-50 / c-UL Listed** (file # E207562)

Mechanical & Thermal	Test Spec.	Unit	Rating
Instrumented Dart Impact @ 73° F	-	in-lbs	565
Falling Ball Impact @ 73° F	UL-746	in-lbs	900
Deflection Temperature @ 264 psi	ASTM D648	Deg. F	270
Modulus of Elasticity	ASTM D790	ksi	340
Temperature Range	-	Deg. F	-40 to 265
Flame Rating - UL	UL 94	-	5VA
Outdoor UV Exposure	UL	-	f1



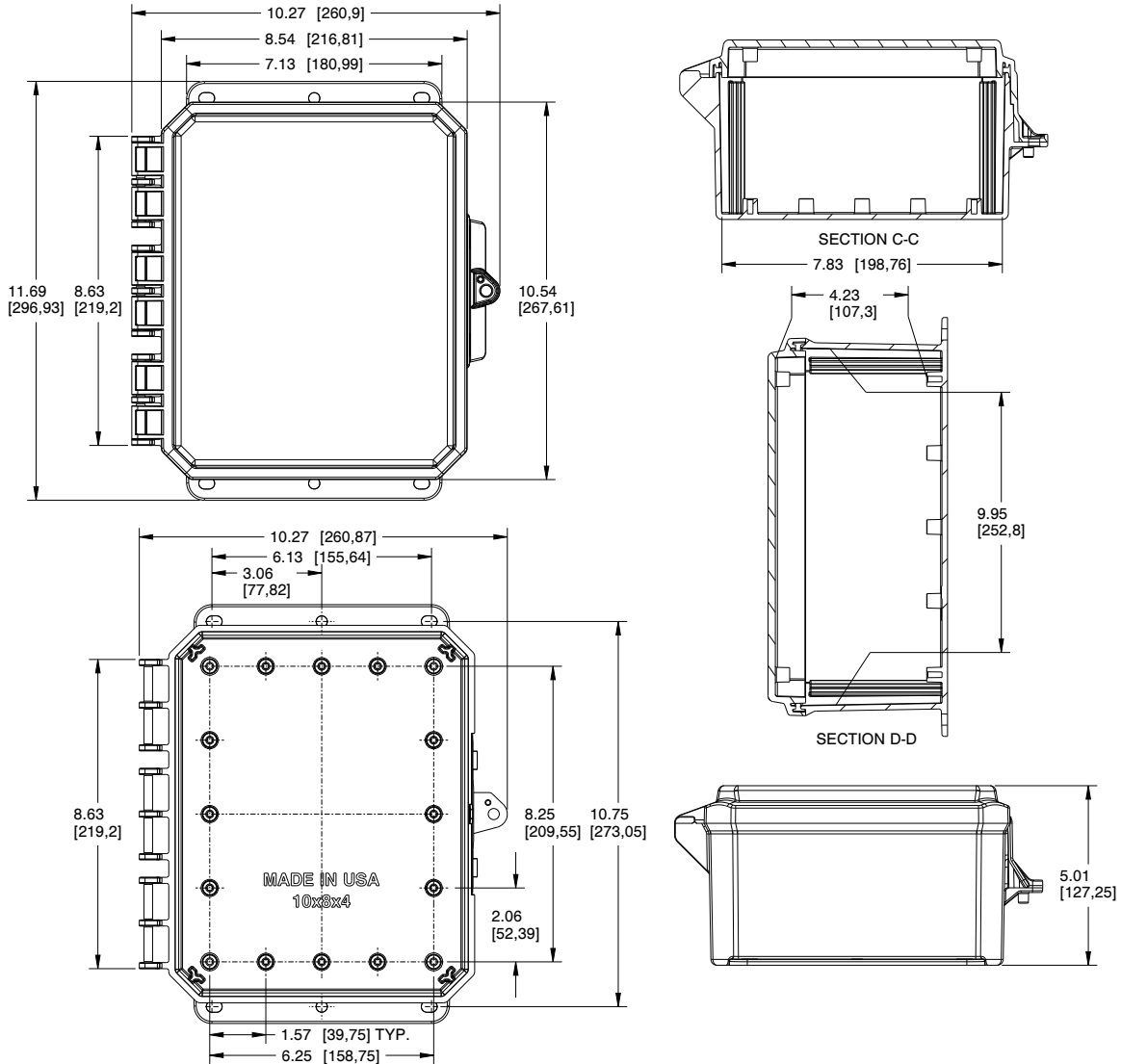
Part Number	4X IP66	6P IP68	Standard Hinge	Low Profile Hinge	Opaque Cover	Clear Cover	Integrated Mounting Flange	Integrated Locking Latch	Stainless Steel Locking Latch	Non-Metallic Locking Latch
★ P10084	✓	✓	✓		✓		✓	✓		
★ P10084C	✓	✓	✓			✓	✓	✓		
P10084LL	✓		✓		✓		✓		✓	
P10084CLL	✓		✓			✓	✓		✓	
P10084NL	✓		✓		✓		✓			✓
P10084CNL	✓		✓			✓	✓			✓
P10084LP▲	✓	✓		✓	✓		✓	✓		
P10084LPC▲	✓	✓		✓		✓	✓	✓		
P10084LPLL▲	✓			✓	✓		✓		✓	
P10084LPCLL▲	✓			✓		✓	✓		✓	
P10084LPNL▲	✓			✓	✓		✓			✓
P10084LPCNL▲	✓			✓		✓	✓			✓

★ **POPULAR CONFIGURATIONS:** Most popular configurations are available for *QuickShip*. Please send requests to customerservice@integraenclosures.com to take advantage of our *QuickShip* option.

▲Low Profile models require a minimum order quantity. Contact factory for details.



10X8X4 IMPACT® SERIES



[Bracketed dimensions in mm]

TORQUE SPECIFICATIONS:

Panels - #10 thread cutter pan head 18-8 SS (torque limit = 10 in lbs)

Register online to download detailed drawing files at www.integraenclosures.com

Accessories for 10x8x4 (For complete accessories, see pages 86-89)



Back Panels

- ABP108-IMP** - Aluminum panel
- SBP108-IMP** - Steel panel
- PVCBP108-IMP** - PVC panel



Aluminum Swing Panel Kits

- ABP-108-USOPK** - Complete kit
- ABP-108USP** - Panel only
- USOPK** - Hardware only



Back Panel Adjustment Kit

- BPAKG** - Gray, Set Screw
- BPAKB** - Black, Set Screw
- UBPAKG** - Gray, Thumb Screw
- UBPAKB** - Black Thumb Screw



Air Vents

- VENT 3** - Aluminum louvered
- VENT 2** - Outdoor labyrinth



Steel Swing Panel Kits

- SBP-108-USOPK** - Complete kit
- SBP-108USP** - Panel only
- USOPK** - Hardware only



Mounting Screws

- SP-10I** - 10 Pieces self-tapping screws for bosses



Din Rail

- DIN 8-IMP** - 2 rails, 4 screws



Pole Mounting Kit

- PMKG-28-IMP** - 2" pole
- PMKG-38-IMP** - 3" pole
- PMKG-48-IMP** - 4" pole
- PMKG-128-IMP** - 12" pole



Cord Grips

- IP68/NEMA 4X/6P rated
- See page 78 for more details.