



## Features & Benefits

- **Quality material** – bases, opaque covers and clear covers are all made of high-impact, UV resistant polycarbonate.
- **Frequency friendly** – 100% metal free configurations available which is extremely favorable for sending and receiving wireless signals.
- **Easy installation** – with molded mounting flanges, so no extra hardware is needed.
- **Flexible interior mounting** – bosses on rear wall and lid of opaque enclosure provide multiple mounting options for DIN rail, back panels, or other components.
- **Standard color** – light gray with a gloss finish.
- **UL-50 / c-UL Listed** (file # E207562)

Mechanical & Thermal	Test Spec.	Unit	Rating
Instrumented Dart Impact @ 73° F	-	in-lbs	565
Falling Ball Impact @ 73° F	UL-746	in-lbs	900
Deflection Temperature @ 264 psi	ASTM D648	Deg. F	270
Modulus of Elasticity	ASTM D790	ksi	340
Temperature Range	-	Deg. F	-40 to 265
Flame Rating - UL	UL 94	-	5VA
Outdoor UV Exposure	UL	-	f1



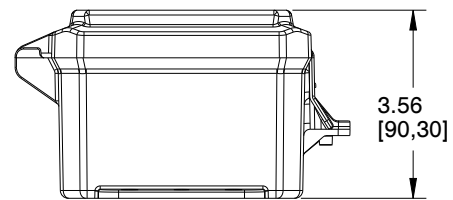
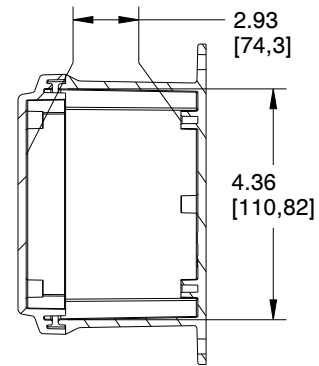
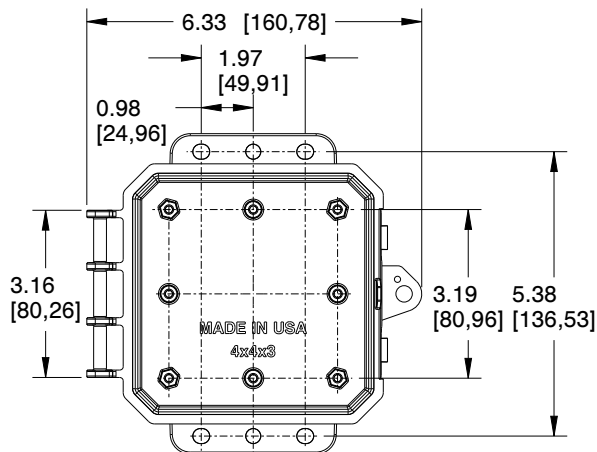
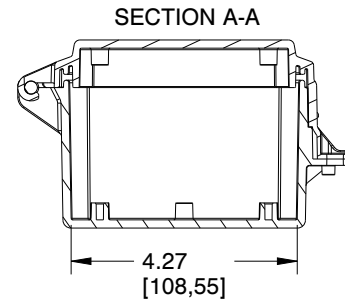
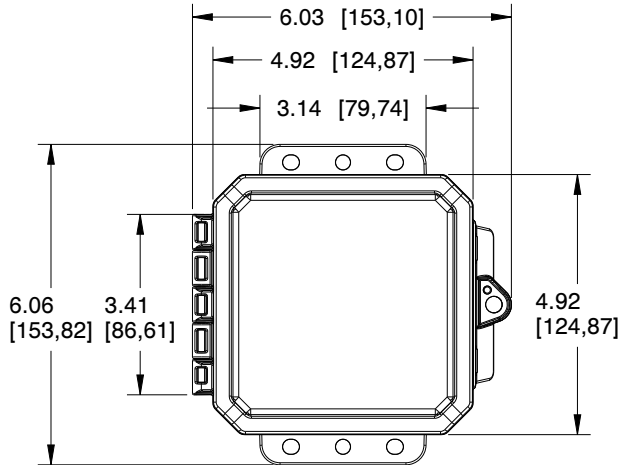
Part Number	4X IP66	6P IP68	Standard Hinge	Low Profile Hinge	Opaque Cover	Clear Cover	Integrated Mounting Flange	Integrated Locking Latch	Stainless Steel Locking Latch	Non-Metallic Locking Latch
★ <b>P4043</b>	✓	✓	✓		✓		✓	✓		
★ <b>P4043C</b>	✓	✓	✓			✓	✓	✓		
P4043LL	✓		✓		✓		✓		✓	
P4043CLL	✓		✓			✓	✓		✓	
P4043NL	✓		✓		✓		✓			✓
P4043CNL	✓		✓			✓	✓			✓
P4043LP▲	✓	✓		✓	✓		✓	✓		
P4043LPC▲	✓	✓		✓		✓	✓	✓		
P4043LPLL▲	✓			✓	✓		✓		✓	
P4043LPCLL▲	✓			✓		✓	✓		✓	
P4043LPNL▲	✓			✓	✓		✓			✓
P4043LPCNL▲	✓			✓		✓	✓			✓

★ **POPULAR CONFIGURATIONS:** Most popular configurations are available for *QuickShip*. Please send requests to [customerservice@integraenclosures.com](mailto:customerservice@integraenclosures.com) to take advantage of our *QuickShip* option.

▲Low Profile models require a minimum order quantity. Contact factory for details.



# 4X4X3 IMPACT<sup>®</sup> LINE



[Bracketed dimensions in mm]

## TORQUE SPECIFICATIONS:

**Panels** - #8 thread cutter pan head 18-8 SS (torque limit = 8 in lbs)

Register online to download detailed drawing files at [www.integraenclosures.com](http://www.integraenclosures.com)

## Accessories for 4x4x3 (For complete accessories, see pages 86-89)



### Back Panels

**ABP44-IMP** - Aluminum panel  
**SBP44-IMP** - Steel panel  
**PVCBP44-IMP** - PVC panel



### Aluminum Face Plate System

**AFP44-IMP** - Aluminum face panel only  
**AFP44-IMP** - Aluminum face panel only  
**AFP44-IMP** - Aluminum face panel only



### Face Plate Support Kit

**CB43-IMP** - Support kit contains 4 support panels and 8 screws.



### Air Vents

**VENT 3** - Aluminum louvered  
**VENT 2** - Outdoor labyrinth



### Steel Face Plate System

**SFP44-IMP** - Steel face panel only  
**SFP44-IMP** - Steel face panel only  
**SFP44-IMP** - Steel face panel only



### Hole Plugs

Liquid tight thru plugs  
 IP67 and UL rated  
 See page 78 for more details.



### Din Rail

**DIN 4-IMP** - 2 rails, 4 screws



### Pole Mounting Kit

**PMKG-24-IMP** - 2" pole  
**PMKG-34-IMP** - 3" pole  
**PMKG-44-IMP** - 4" pole  
**PMKG-124-IMP** - 12" pole



### Cord Grips

IP68/NEMA 4X/6P rated  
 See page 78 for more details.