

6X4X4 IMPACT[®] SERIES



Features & Benefits

- **Quality material** – bases, opaque covers and clear covers are all made of high-impact, UV resistant polycarbonate.
- **Frequency friendly** – 100% metal free configurations available which is extremely favorable for sending and receiving wireless signals.
- **Easy installation** – with molded mounting flanges, so no extra hardware is needed.
- **Flexible interior mounting** – bosses on rear wall and lid of opaque enclosure provide multiple mounting options for DIN rail, back panels, or other components.
- **Standard color** – light gray with a gloss finish.
- **UL-50 / c-UL Listed** (file # E207562)

Mechanical & Thermal	Test Spec.	Unit	Rating
Instrumented Dart Impact @ 73° F	-	in-lbs	565
Falling Ball Impact @ 73° F	UL-746	in-lbs	900
Deflection Temperature @ 264 psi	ASTM D648	Deg. F	270
Modulus of Elasticity	ASTM D790	ksi	340
Temperature Range	-	Deg. F	-40 to 265
Flame Rating - UL	UL 94	-	5VA
Outdoor UV Exposure	UL	-	f1



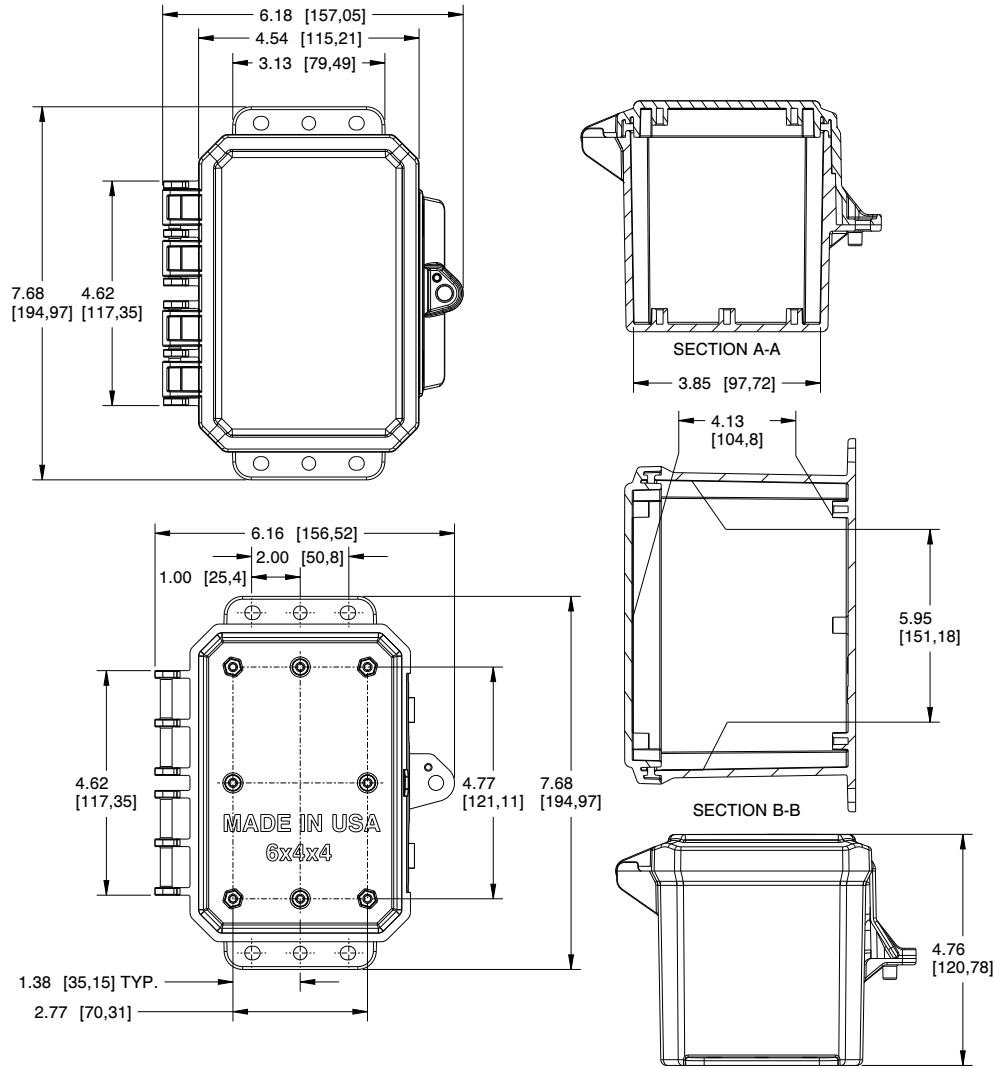
Part Number	4X IP66	6P IP68	Standard Hinge	Low Profile Hinge	Opaque Cover	Clear Cover	Integrated Mounting Flange	Integrated Locking Latch	Stainless Steel Locking Latch	Non-Metallic Locking Latch
★ P6044	✓	✓	✓		✓		✓	✓		
★ P6044C	✓	✓	✓			✓	✓	✓		
P6044LL	✓		✓		✓		✓		✓	
P6044CLL	✓		✓			✓	✓		✓	
P6044NL	✓		✓		✓		✓			✓
P6044CNL	✓		✓			✓	✓			✓
P6044LP▲	✓	✓		✓	✓		✓	✓		
P6044LPC▲	✓	✓		✓		✓	✓	✓		
P6044LPLL▲	✓			✓	✓		✓		✓	
P6044LPCLL▲	✓			✓		✓	✓		✓	
P6044LPNL▲	✓			✓	✓		✓			✓
P6044LPCNL▲	✓			✓		✓	✓			✓

★ **POPULAR CONFIGURATIONS:** Most popular configurations are available for *QuickShip*. Please send requests to customerservice@integraenclosures.com to take advantage of our *QuickShip* option.

▲Low Profile models require a minimum order quantity. Contact factory for details.



6X4X4 IMPACT[®] SERIES



[Bracketed dimensions in mm]

TORQUE SPECIFICATIONS:

Panels - #8 thread cutter pan head 18-8 SS (torque limit = 8 in lbs)

Register online to download detailed drawing files at www.integraenclosures.com

Accessories for 6x4x4 (For complete accessories, see pages 86-89)



Back Panels

ABP64-IMP - Aluminum panel
SBP64-IMP - Steel panel
PVCBP64-IMP - PVC panel



Aluminum Face Plate System

AFP64-IMP - Aluminum face plate and FPSK-64 mounting kit
AFP64-IMP - Aluminum face panel only



Face Plate Support Kit

CB64-IMP - Support kit contains 4 support panels and 8 screws.



Air Vents

VENT 3 - Aluminum louvered
VENT 2 - Outdoor labyrinth



Steel Face Plate System

SFP64-IMP - Steel face plate and FPSK-64 mounting kit
SFP64-IMP - Steel face panel only



Hole Plugs

Liquid tight thru plugs
 IP67 and UL rated
 See page 78 for more details.



Din Rail

DIN 6-IMP - 2 rails, 4 screws



Pole Mounting Kit

PMKG-26-IMP - 2" pole
PMKG-36-IMP - 3" pole
PMKG-46-IMP - 4" pole
PMKG-126-IMP - 12" pole



Cord Grips

IP68/NEMA 4X/6P rated
 See page 78 for more details.