



## Features & Benefits

- **Quality material** – bases, opaque covers and clear covers are all made of high-impact, UV resistant polycarbonate.
- **Frequency friendly** – 100% metal free configurations available which is extremely favorable for sending and receiving wireless signals.
- **Advanced face plate system** – bosses on rear wall and lid of opaque enclosure provide multiple mounting options for DIN rail, back panels, and other components.
- **Easy installation** – with molded mounting flanges, so no extra hardware is needed.
- **Flexible interior mounting** – bosses on rear wall and lid of opaque enclosure provide multiple mounting options for DIN rail, back panels, or other components.
- **Standard color** – light gray with a gloss finish.
- **UL-50 / c-UL Listed** (file # E207562)

Mechanical & Thermal	Test Spec.	Unit	Rating
Instrumented Dart Impact @ 73° F	-	in-lbs	565
Falling Ball Impact @ 73° F	UL-746	in-lbs	900
Deflection Temperature @ 264 psi	ASTM D648	Deg. F	270
Modulus of Elasticity	ASTM D790	ksi	340
Temperature Range	-	Deg. F	-40 to 265
Flame Rating - UL	UL 94	-	5VA
Outdoor UV Exposure	UL	-	f1



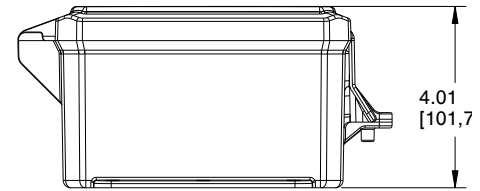
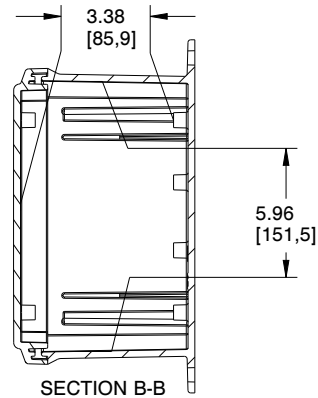
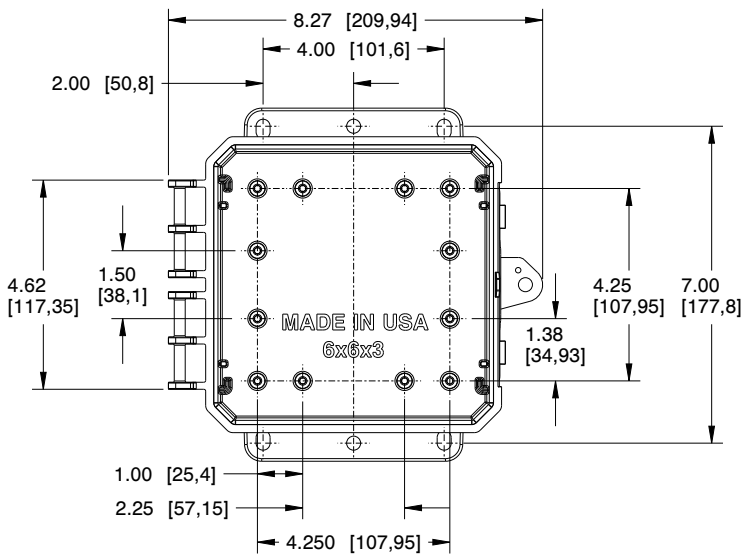
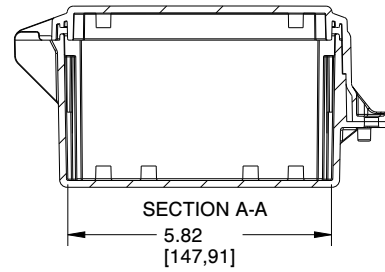
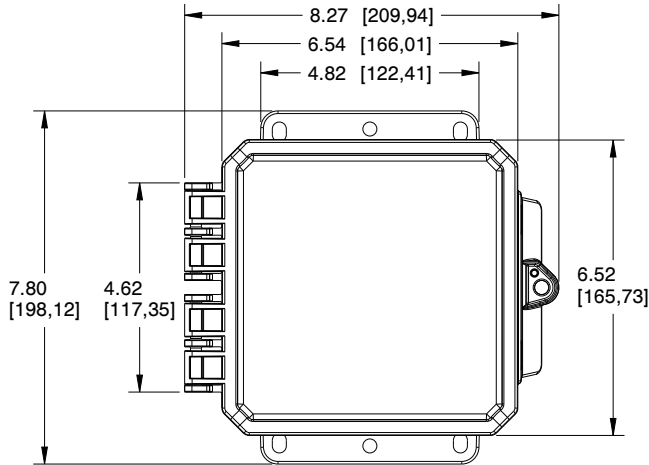
Part Number	4X IP66	6P IP68	Standard Hinge	Low Profile Hinge	Opaque Cover	Clear Cover	Integrated Mounting Flange	Integrated Locking Latch	Stainless Steel Locking Latch	Non-Metallic Locking Latch
★ <b>P6063</b>	✓	✓	✓		✓		✓	✓		
★ <b>P6063C</b>	✓	✓	✓			✓	✓	✓		
P6063LL	✓		✓		✓		✓		✓	
P6063CLL	✓		✓			✓	✓		✓	
P6063NL	✓		✓		✓		✓			✓
P6063CNL	✓		✓			✓	✓			✓
P6063LP▲	✓	✓		✓	✓		✓	✓		
P6063LPC▲	✓	✓		✓		✓	✓	✓		
P6063LPLL▲	✓			✓	✓		✓		✓	
P6063LPCLL▲	✓			✓		✓	✓		✓	
P6063LPNL▲	✓			✓	✓		✓			✓
P6063LPCNL▲	✓			✓		✓	✓			✓

★ **POPULAR CONFIGURATIONS:** Most popular configurations are available for *QuickShip*. Please send requests to [customerservice@integraenclosures.com](mailto:customerservice@integraenclosures.com) to take advantage of our *QuickShip* option.

▲Low Profile models require a minimum order quantity. Contact factory for details.



# 6X6X3 IMPACT® SERIES



[Bracketed dimensions in mm]

## TORQUE SPECIFICATIONS:

**Panels** - #8 thread cutter pan head 18-8 SS (torque limit = 8 in lbs)

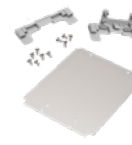
Register online to download detailed drawing files at [www.integraenclosures.com](http://www.integraenclosures.com)

## Accessories for 6x6x3 (For complete accessories, see pages 86-89)



### Back Panels

**ABP66-IMP** - Aluminum panel  
**SBP66-IMP** - Steel panel  
**PVCBP66-IMP** - PVC panel



### Aluminum Swing Panel Kits

**ASWPK66-IMP** - Aluminum swing panel and SOPK-IMP mounting kit  
**ASWP66-IMP** - Panel only  
**SOPK66-86-IMP** - Rigid brackets, pivot bracket & self-tapping screws



### Aluminum Face Plate System

**AFPK66-IMP** - Aluminum face plate and SOPK-IMP mounting kit  
**AFP66-IMP** - Panel only  
**SOPK66-86-IMP** - Rigid brackets, pivot bracket & self-tapping screws



### Air Vents

**VENT 3** - Aluminum louvered  
**VENT 2** - Outdoor labyrinth



### Steel Swing Panel Kits

**SSWPK66-IMP** - Steel swing panel and SOPK-IMP mounting kit  
**SSWP66-IMP** - Panel only  
**SOPK66-86-IMP** - Rigid brackets, pivot bracket & self-tapping screws



### Steel Face Plate System

**SFPK66-IMP** - Steel face plate and SOPK-IMP mounting kit  
**SFP66-IMP** - Panel only  
**SOPK66-86-IMP** - Rigid brackets, pivot bracket & self-tapping screws



### Din Rail

**DIN 6-IMP** - 2 rails, 4 screws



### Pole Mounting Kit

**PMKG-26-IMP** - 2" pole  
**PMKG-36-IMP** - 3" pole  
**PMKG-46-IMP** - 4" pole  
**PMKG-126-IMP** - 12" pole



### Cord Grips

IP68/NEMA 4X/6P rated  
 See page 78 for more details.