



## Features & Benefits

- **Quality material** – bases, opaque covers and clear covers are all made of high-impact, UV resistant polycarbonate.
- **Frequency friendly** – 100% metal free configurations available which is extremely favorable for sending and receiving wireless signals.
- **Integrated Latch** – Locking latch is molded into the cover, creating a complete, NEMA 6P enclosure with no additional hardware needed.
- **Easy installation** – with molded mounting flanges, so no extra hardware is needed.
- **Flexible interior mounting** – bosses on rear wall and lid of opaque enclosure provide multiple mounting options for DIN rail, back panels, or other components.
- **Standard color** – light gray with a gloss finish.
- **UL-50 / c-UL Listed** (file # E207562)

Mechanical & Thermal	Test Spec.	Unit	Rating
Instrumented Dart Impact @ 73° F	-	in-lbs	565
Falling Ball Impact @ 73° F	UL-746	in-lbs	900
Deflection Temperature @ 264 psi	ASTM D648	Deg. F	270
Modulus of Elasticity	ASTM D790	ksi	340
Temperature Range	-	Deg. F	-40 to 265
Flame Rating - UL	UL 94	-	5VA
Outdoor UV Exposure	UL	-	f1

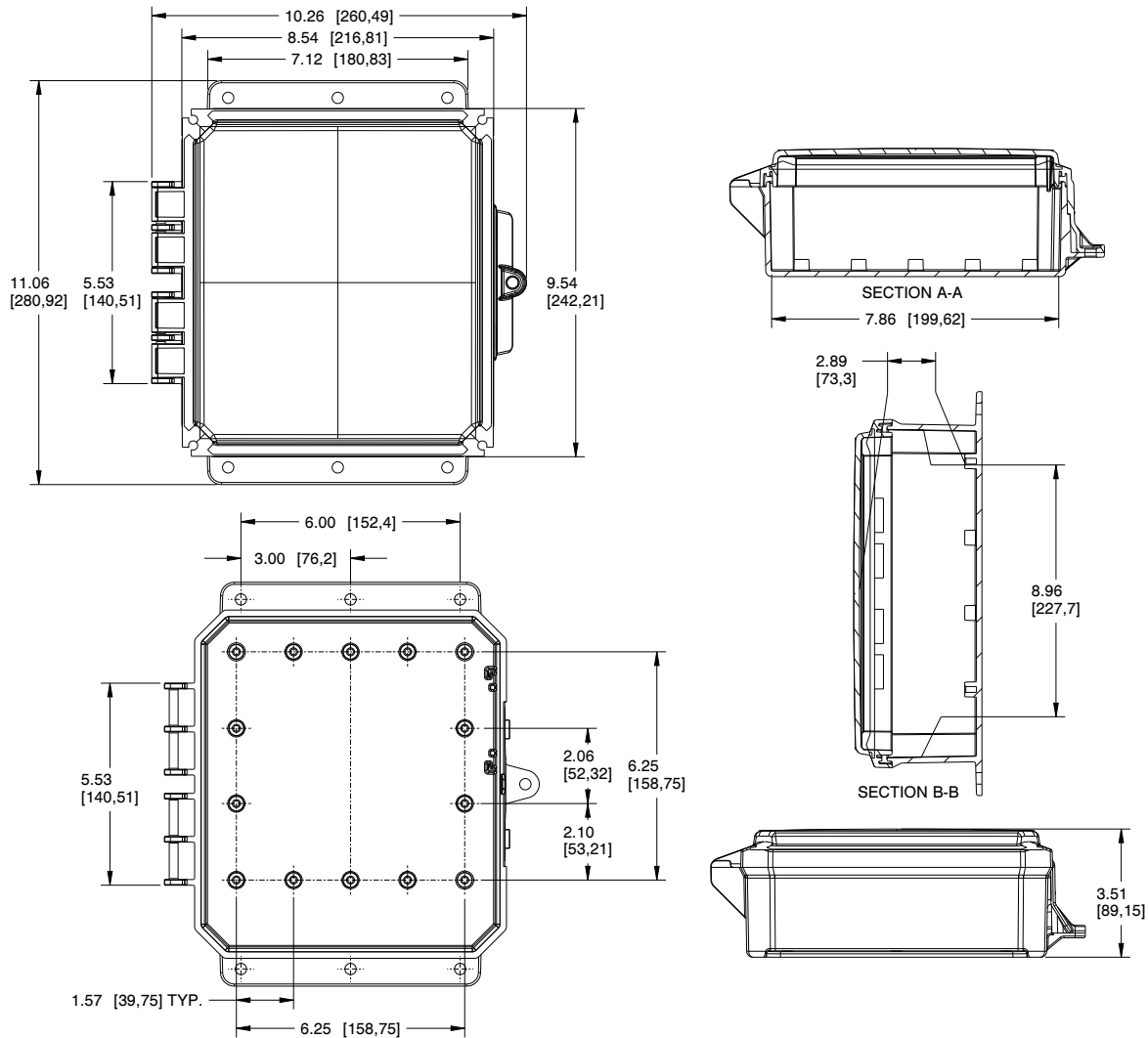


Part Number	4X IP66	6P IP68	Standard Hinge	Low Profile Hinge	Opaque Cover	Clear Cover	Integrated Mounting Flange	Integrated Locking Latch	Stainless Steel Locking Latch	Non-Metallic Locking Latch
★ P9082	✓	✓	✓		✓		✓	✓		
★ P9082C	✓	✓	✓			✓	✓	✓		

★ **POPULAR CONFIGURATIONS:** Most popular configurations are available for *QuickShip*. Please send requests to [customerservice@integraenclosures.com](mailto:customerservice@integraenclosures.com) to take advantage of our *QuickShip* option.



# 9X8X2 IMPACT<sup>®</sup> SERIES



[Bracketed dimensions in mm]

## TORQUE SPECIFICATIONS:

**Panels** - #10 thread cutter pan head 18-8 SS (torque limit = 10 in lbs)

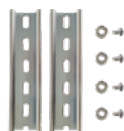
Register online to download detailed drawing files at [www.integraenclosures.com](http://www.integraenclosures.com)

## Accessories for 9x8x2 (For complete accessories, see pages 86-89)



### Back Panels

**ABP98-IMP** - Aluminum panel  
**SBP98-IMP** - Steel panel  
**PVCBP98-IMP** - PVC panel



### Din Rail

**DIN 8-IMP** - 2 rails, 4 screws



### Mounting Screws

**SP-10I** - 10 Pieces self-tapping screws for bosses



### Air Vents

**VENT 3** - Aluminum louvered  
**VENT 2** - Outdoor labyrinth



### Pole Mounting Kit

**PMKG-28-IMP** - 2" pole  
**PMKG-38-IMP** - 3" pole  
**PMKG-48-IMP** - 4" pole  
**PMKG-128-IMP** - 12" pole



### Cord Grips

**IP68/NEMA 4X/6P** rated  
 See page 78 for more details and part numbers