

4

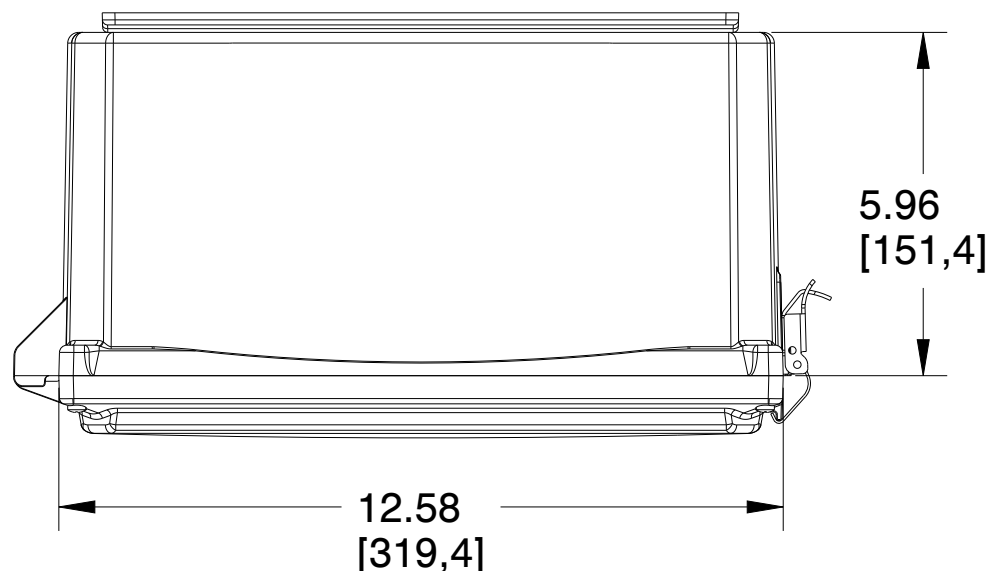
3

2

1

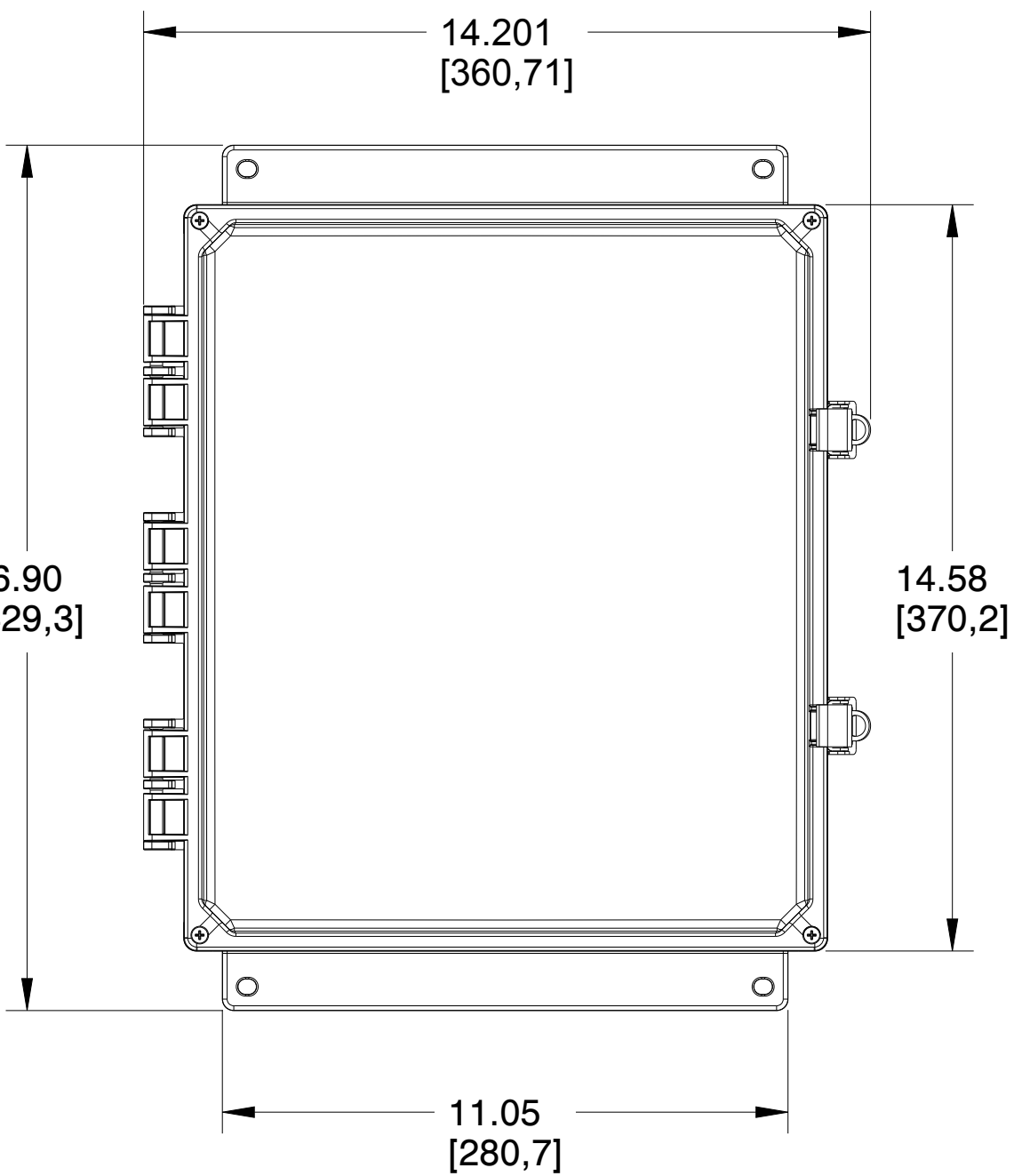
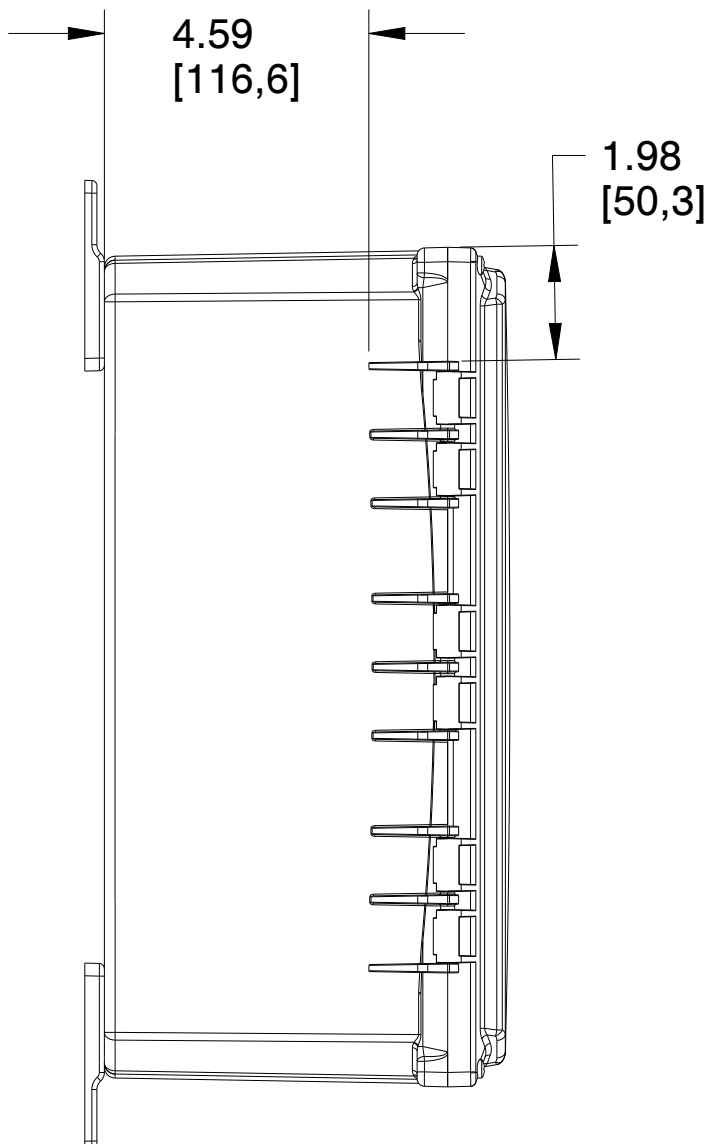
D

D



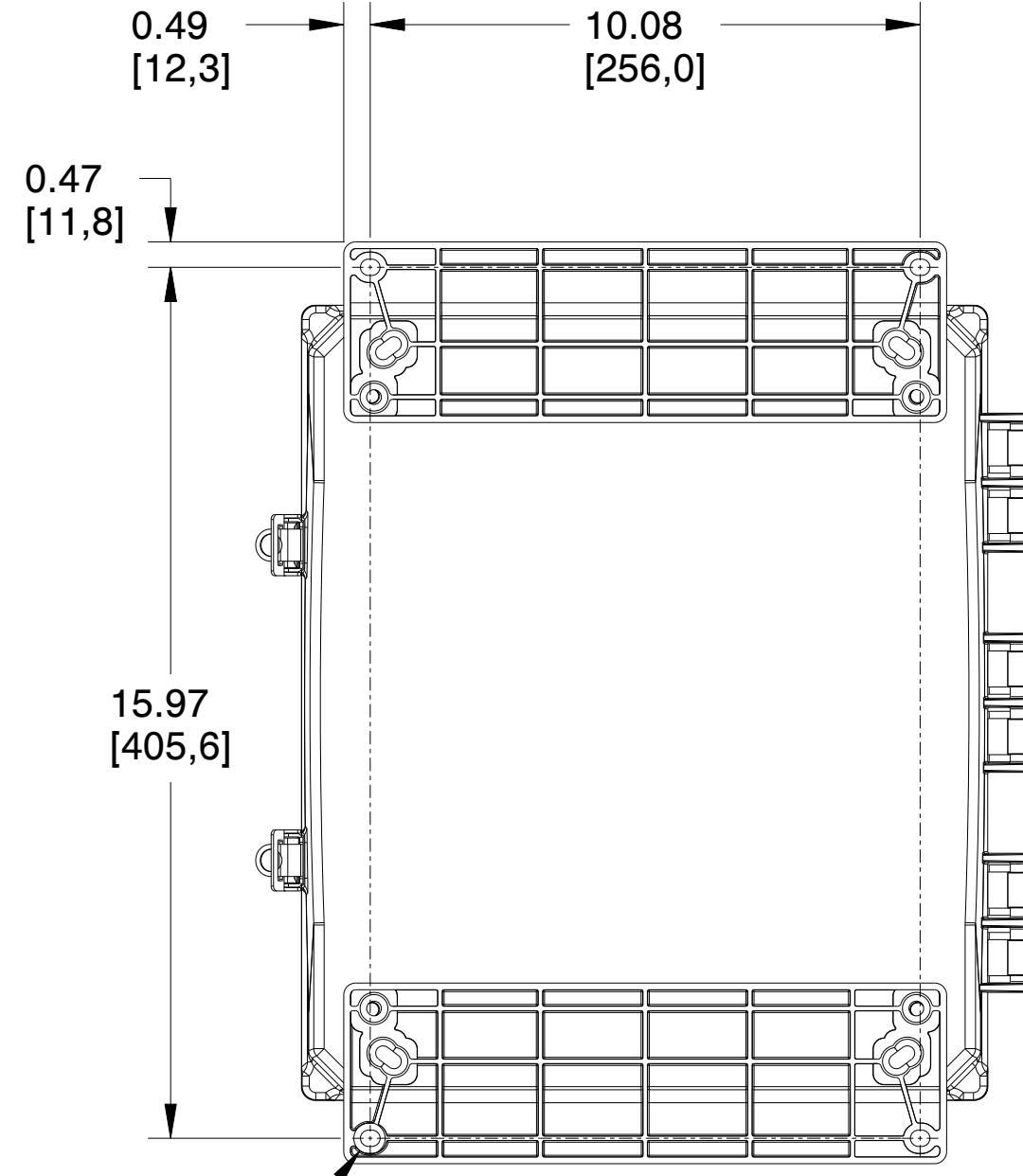
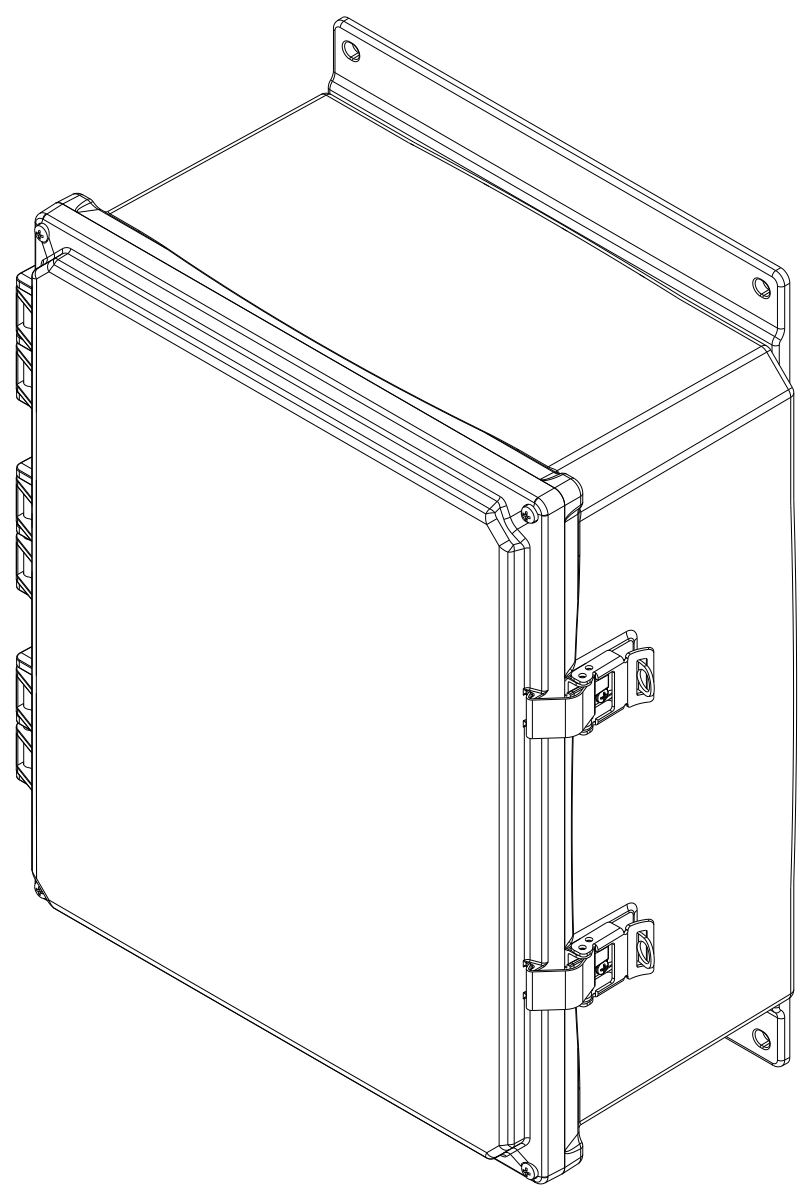
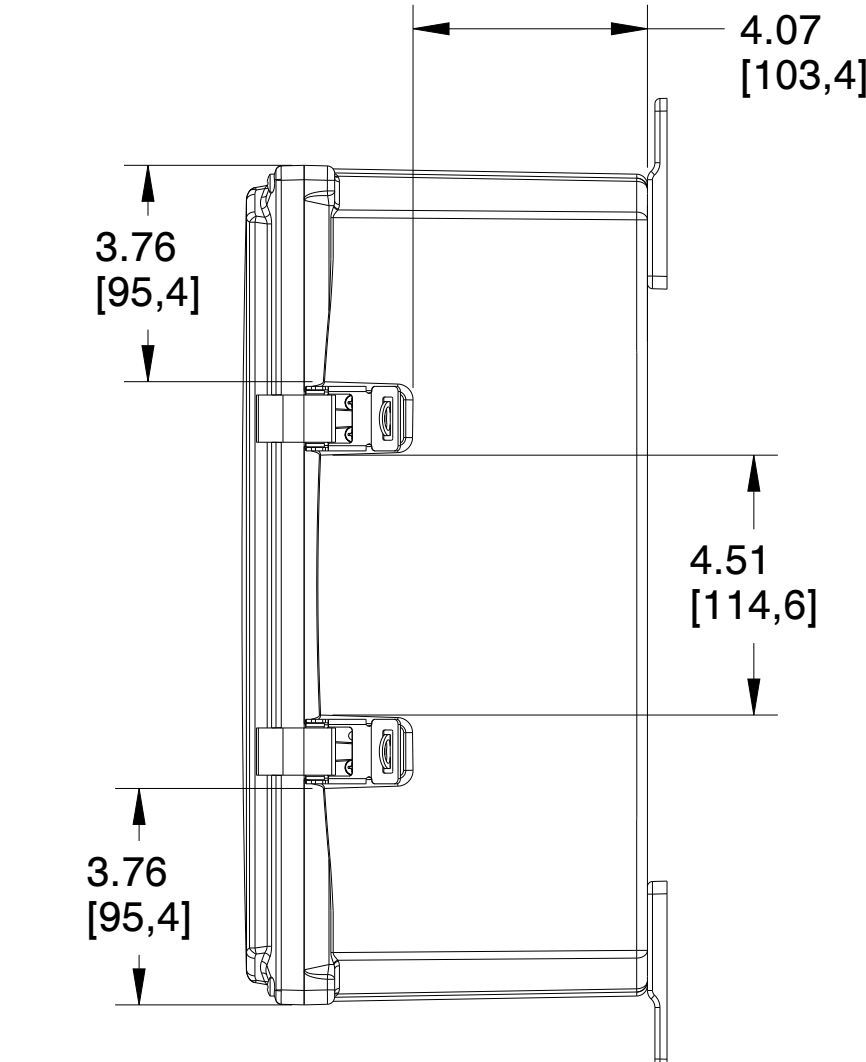
C

C



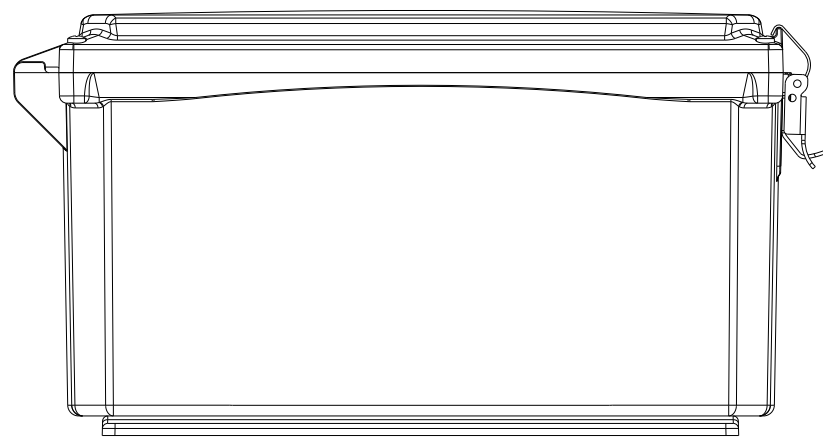
B

B



A

A



DETAIL A
SCALE 5.000
4X PLACES

SEE DETAIL A

		MUM INDUSTRIES 8989 TYLER BLVD MENTOR, OHIO, U.S.A. (440) 269-8155 FAX (440) 269-8166
SCALE 0.300	SHEET 1 of 2	DRAWN BY A.MOHR
TITLE PREM-14X12X6-HNG-GRY-SLL		
DATE 07.24.2024	DRAWING NUMBER H141206HFLL	REV C

4

3

2

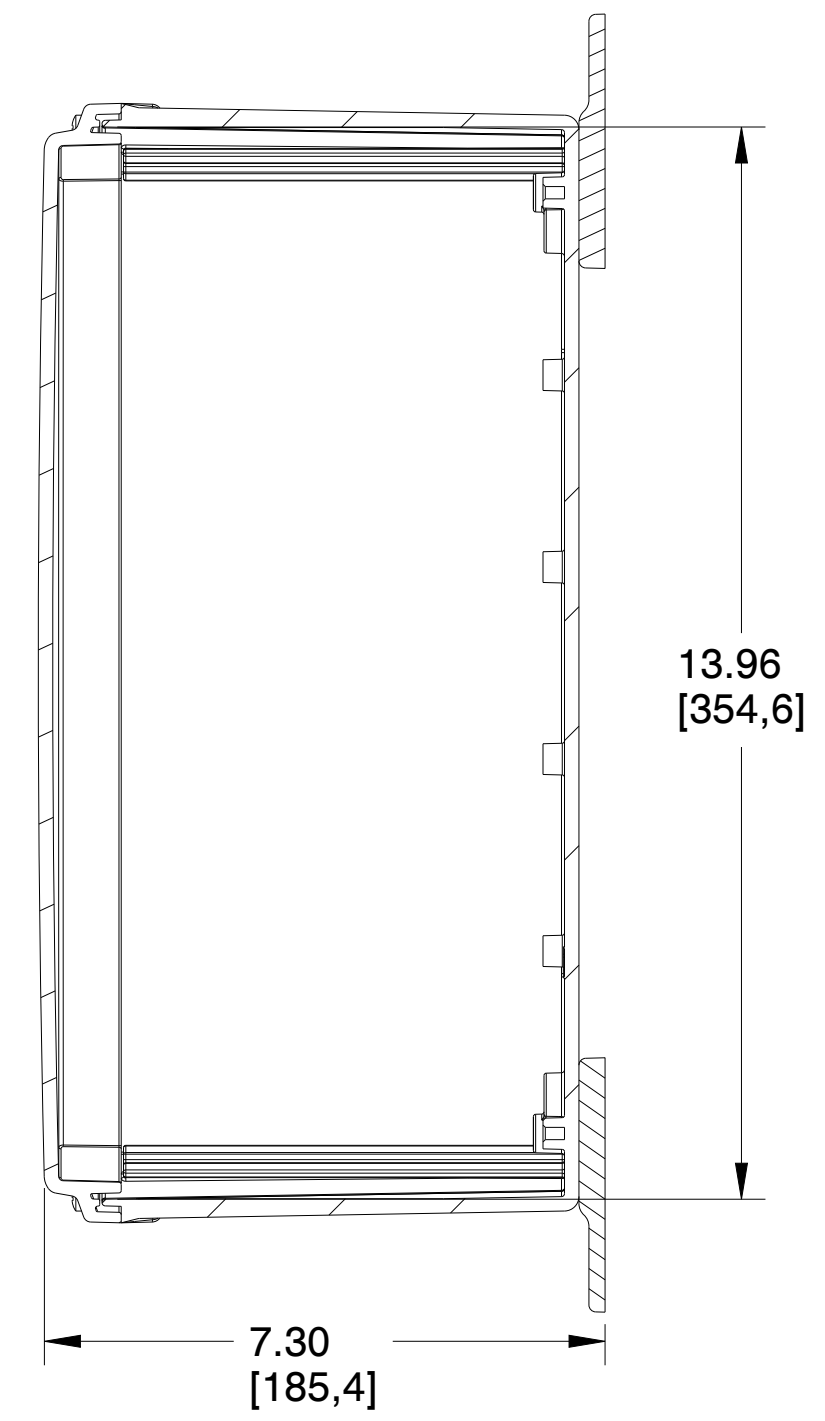
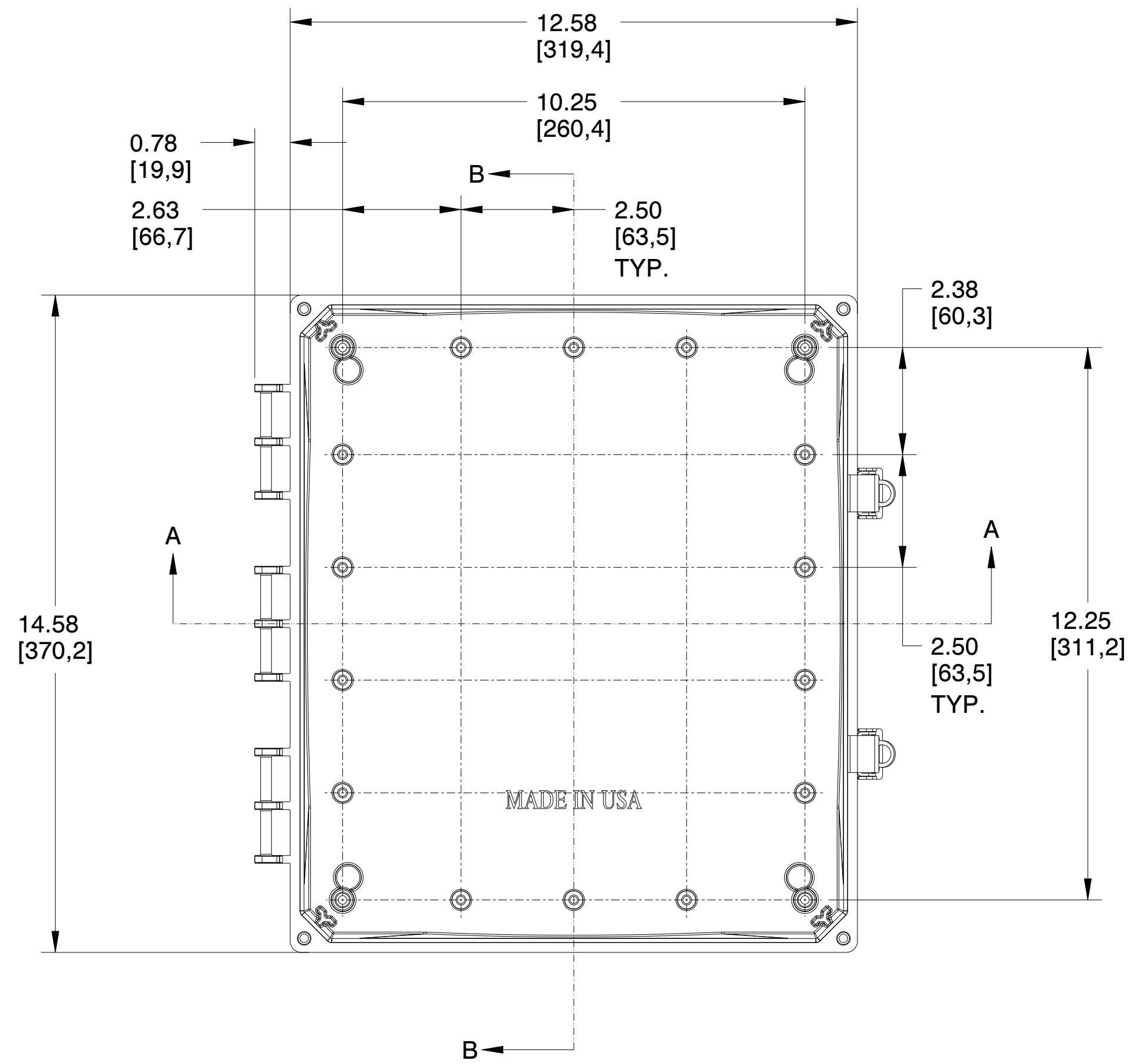
1

4

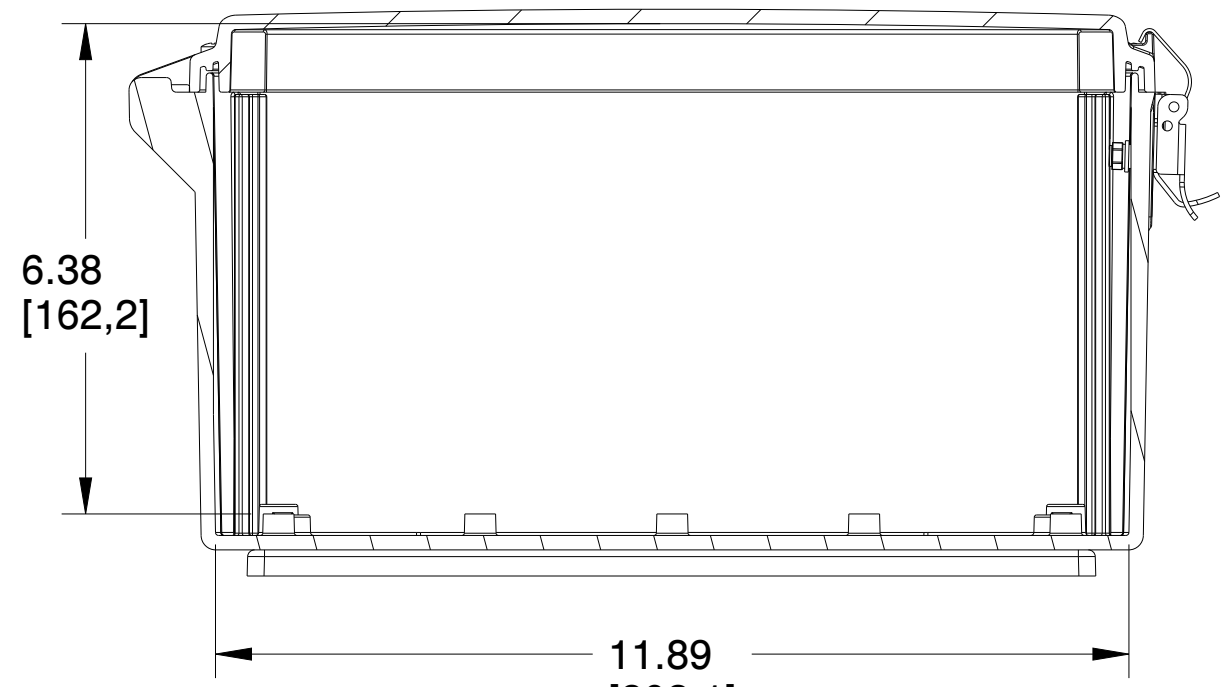
3

2

1



SECTION B-B



SECTION A-A

		MUM INDUSTRIES 8989 TYLER BLVD MENTOR, OHIO, U.S.A. (440) 269-8155 FAX (440) 269-8166	
		SCALE	SHEET
0.400	2 of 2	A.MOHR	
TITLE			
PREM-14X12X6-HNG-GRY-SLL			
DATE		DRAWING NUMBER	
07.24.2024		H141206HFLL	
<small>UNLESS OTHERWISE SPECIFIED: DIMENSIONS ARE IN INCHES (mm) AND ARE NOMINAL ONLY.</small>			REV
<small>PROPRIETARY AND CONFIDENTIAL: THE INFORMATION CONTAINED IN THIS DRAWING IS THE SOLE PROPERTY OF INTEGRA ENCLOSURES. ANY REPRODUCTION IN PART OR AS A WHOLE WITHOUT THE WRITTEN PERMISSION OF INTEGRA ENCLOSURES IS PROHIBITED.</small>			B

4

3

2

1

D

D

C

C

B

B

A

A