

4

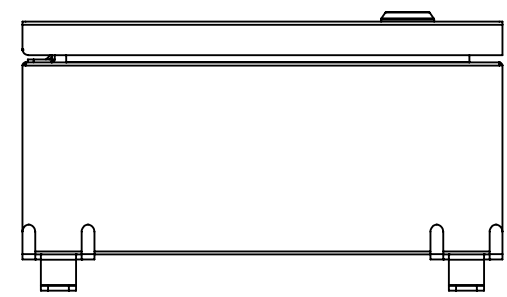
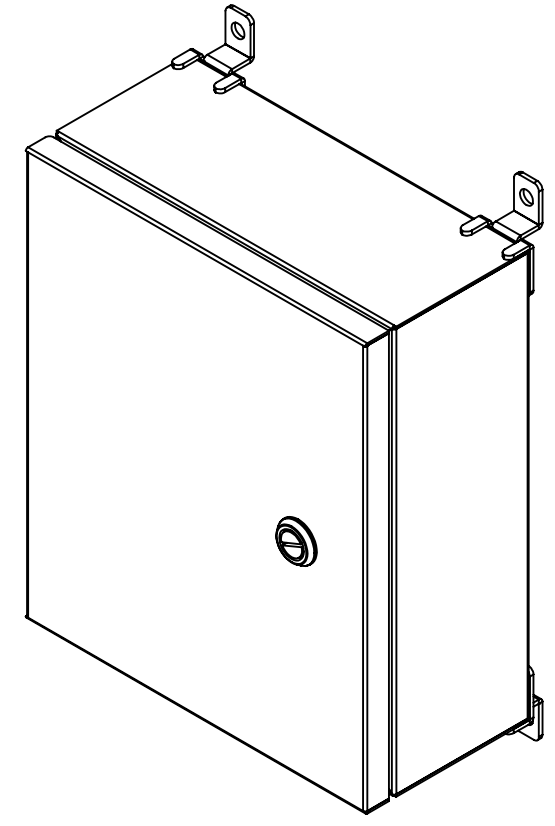
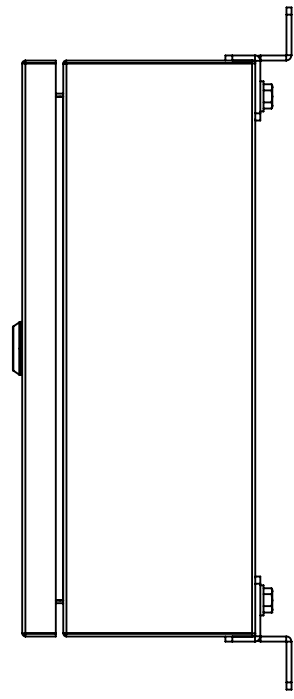
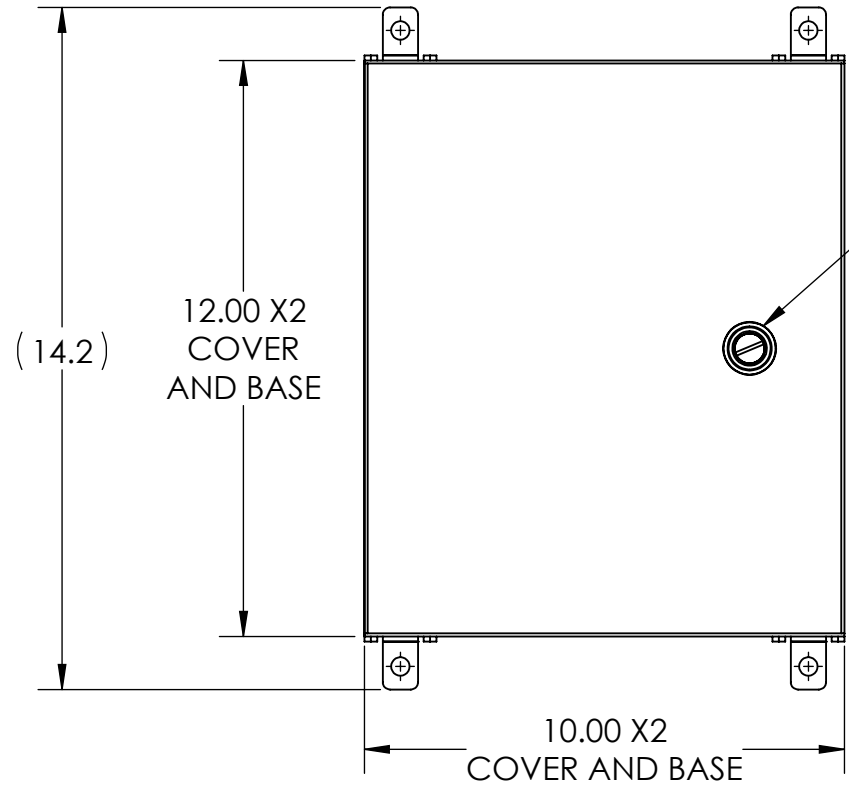
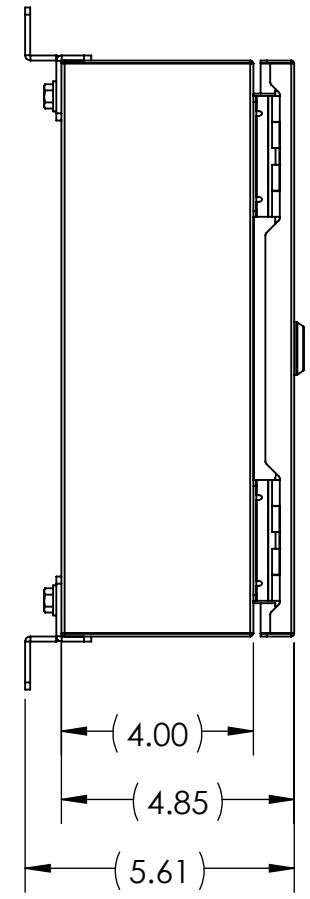
3

2

1

B

B



- NOTE:
 1. BASE MATERIAL: 16 Ga. (.060") 304 SS
 2. COVER MATERIAL: 16 Ga. (.060") 304 SS

INTEGRA ENCLOSURES
 A DIVISION OF MUM INDUSTRIES
 8989 TYLER BLVD. MENTOR, OH
 (440)269-8155 FAX (440)269-8166

UNLESS OTHERWISE SPECIFIED:
 DIMENSIONS ARE IN INCHES [MM]
 AND ARE NOMINAL ONLY

PROPRIETARY AND CONFIDENTIAL
 THE INFORMATION CONTAINED IN THIS
 DRAWING IS THE SOLE PROPERTY OF
 MUM INDUSTRIES INC. ANY
 REPRODUCTION IN PART OR AS A WHOLE
 WITHOUT THE WRITTEN PERMISSION OF
 MUM INDUSTRIES INC. IS PROHIBITED.

DWG. NO. W121004-4PQ-BT		
SIZE B	DESCRIPTION: WALL-12X10X04-304- PHN-QTL	REV G
DRAWN BY: DLA	06.25.2021	SCALE: 1:4 WEIGHT: SHEET 1 OF 2

4

3

2

1

A

A

4

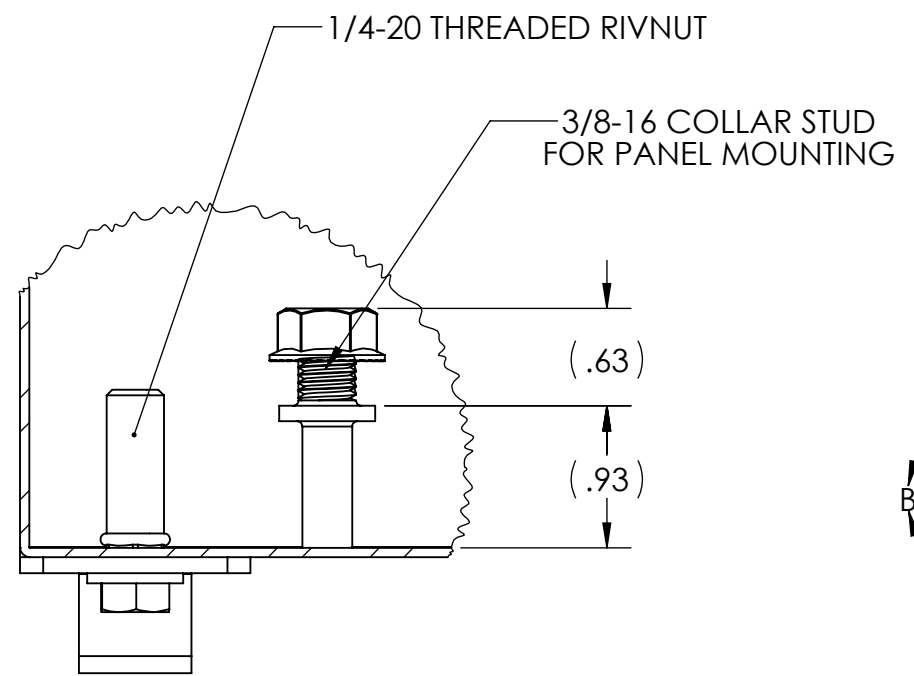
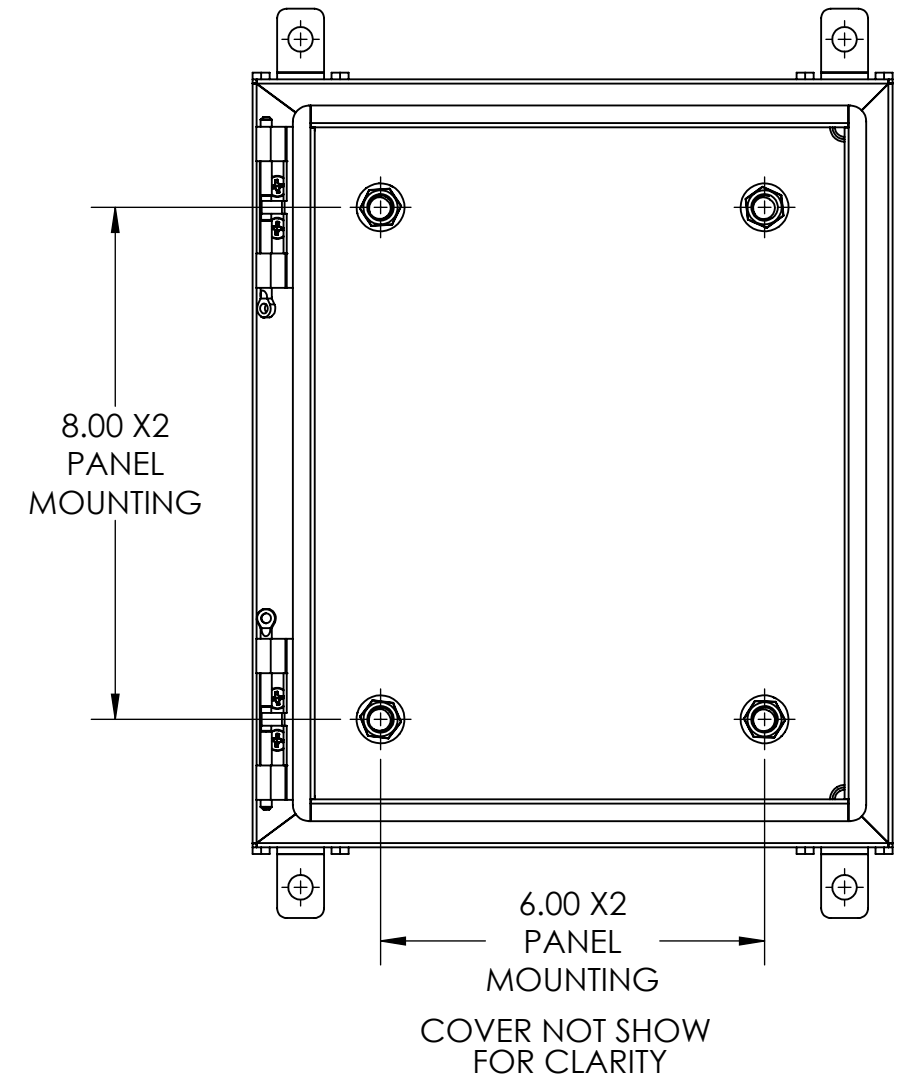
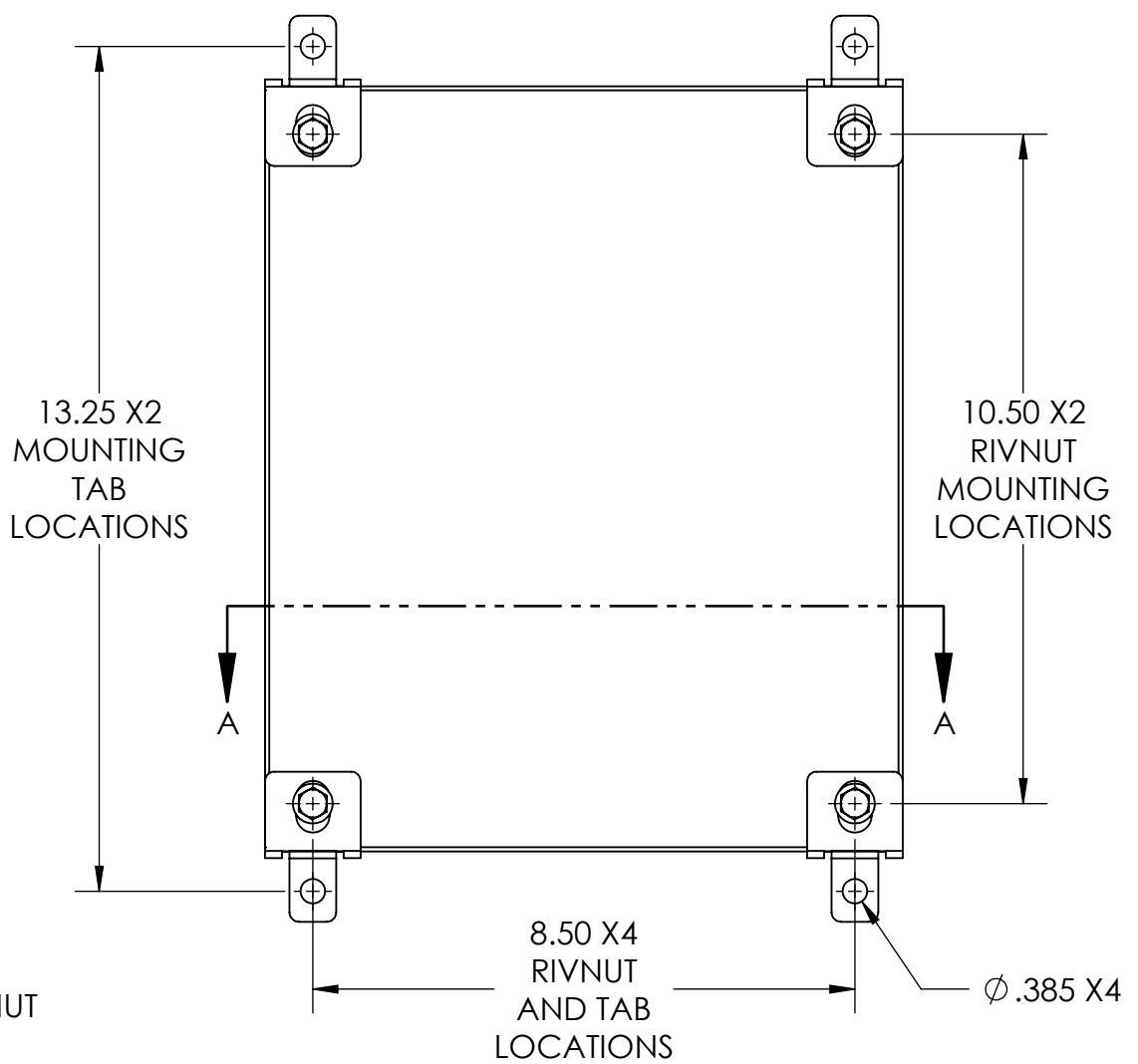
3

2

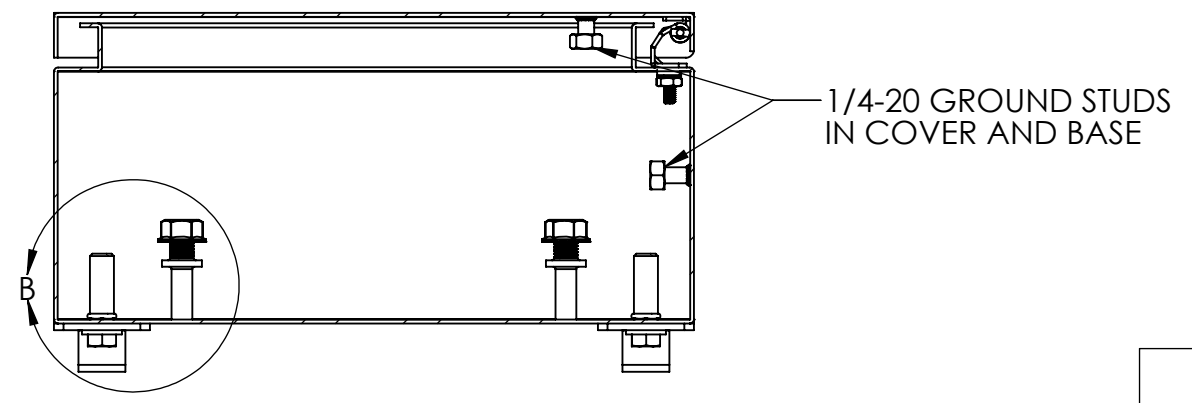
1

B

B



DETAIL B
SCALE 4 : 5



SECTION A-A

INTEGRA ENCLOSURES
 A DIVISION OF MUM INDUSTRIES
 8989 TYLER BLVD. MENTOR, OH
 ENCLOSURES (440)269-8155 FAX (440)269-8166

UNLESS OTHERWISE SPECIFIED:
 DIMENSIONS ARE IN INCHES [MM]
 AND ARE NOMINAL ONLY

PROPRIETARY AND CONFIDENTIAL
 THE INFORMATION CONTAINED IN THIS
 DRAWING IS THE SOLE PROPERTY OF
 MUM INDUSTRIES INC. ANY
 REPRODUCTION IN PART OR AS A WHOLE
 WITHOUT THE WRITTEN PERMISSION OF
 MUM INDUSTRIES INC. IS PROHIBITED.

DWG. NO.		
W121006-4PQ-BT		
SIZE	DESCRIPTION:	REV
B	WALL-12X10X04-304- PHN-QTL	G
DRAWN BY:	DLA	06.25.2021
SCALE: 1:3	WEIGHT:	SHEET 2 OF 2

4

3

2

1

A

A