

4

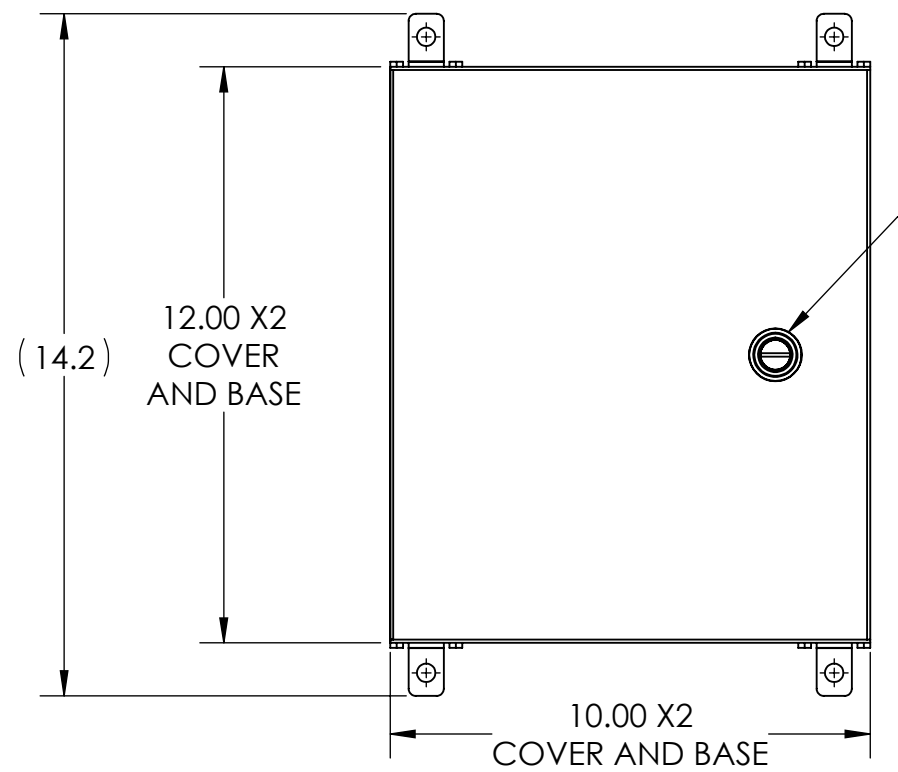
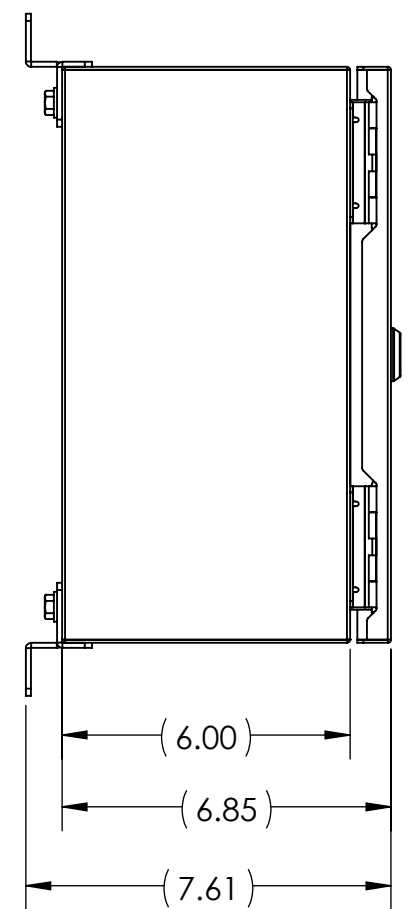
3

2

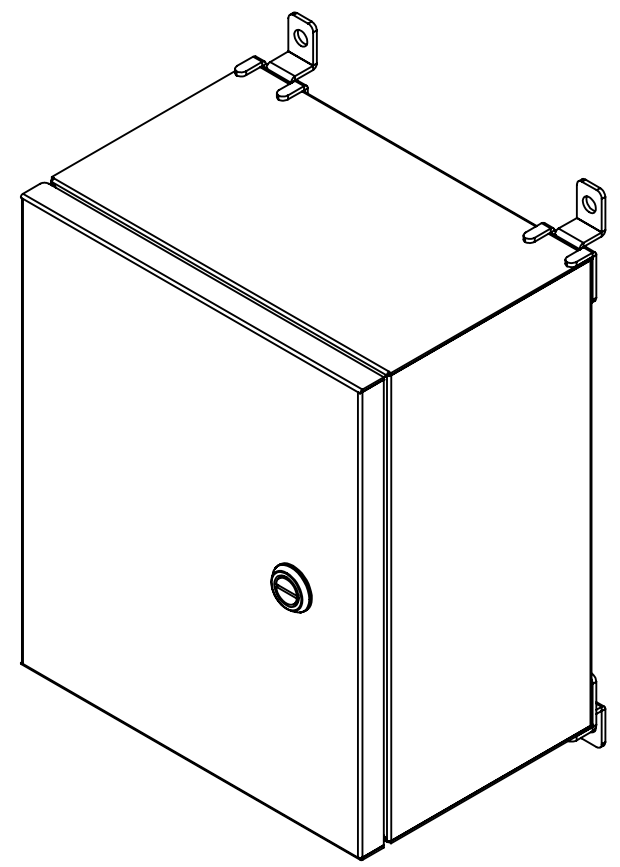
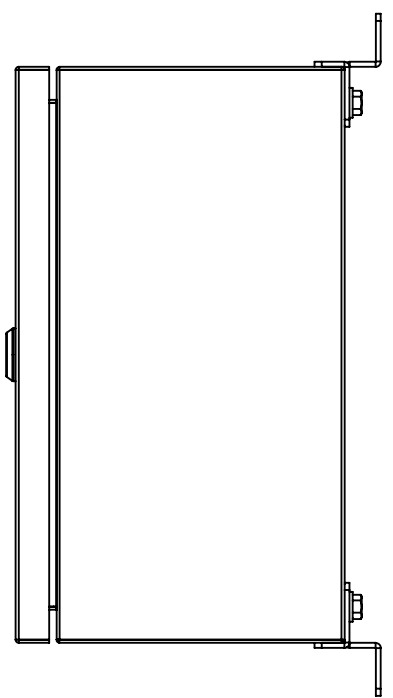
1

B

B

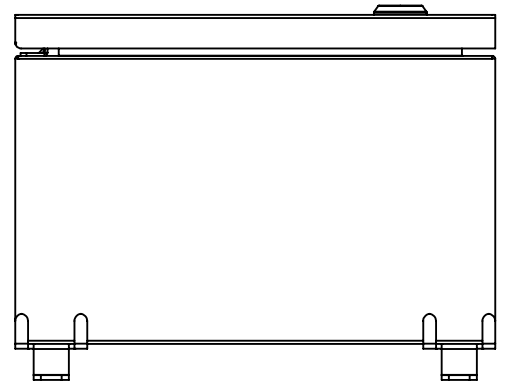


SLOTTED QUARTER TURN LATCH



A

A



4

3

2

1

- NOTE:  
 1. BASE MATERIAL: 16 Ga. (.060") 304 SS  
 2. COVER MATERIAL: 16 Ga. (.060") 304 SS

**INTEGRA ENCLOSURES**  
 A DIVISION OF MUM INDUSTRIES  
 8989 TYLER BLVD. MENTOR, OH  
 (440)269-8155 FAX (440)269-8166

UNLESS OTHERWISE SPECIFIED: DIMENSIONS ARE IN INCHES [MM] AND ARE NOMINAL ONLY			DWG. NO. <b>W121006-4PQ-BT</b>	
PROPRIETARY AND CONFIDENTIAL THE INFORMATION CONTAINED IN THIS DRAWING IS THE SOLE PROPERTY OF MUM INDUSTRIES INC. ANY REPRODUCTION IN PART OR AS A WHOLE WITHOUT THE WRITTEN PERMISSION OF MUM INDUSTRIES INC. IS PROHIBITED.			SIZE <b>B</b>	DESCRIPTION: WALL-12X10X06-304- PHN-QTL
REV <b>G</b>	SCALE: 1:4	WEIGHT:	SHEET 1 OF 2	

DRAWN BY: DLA 06.25.2021

4

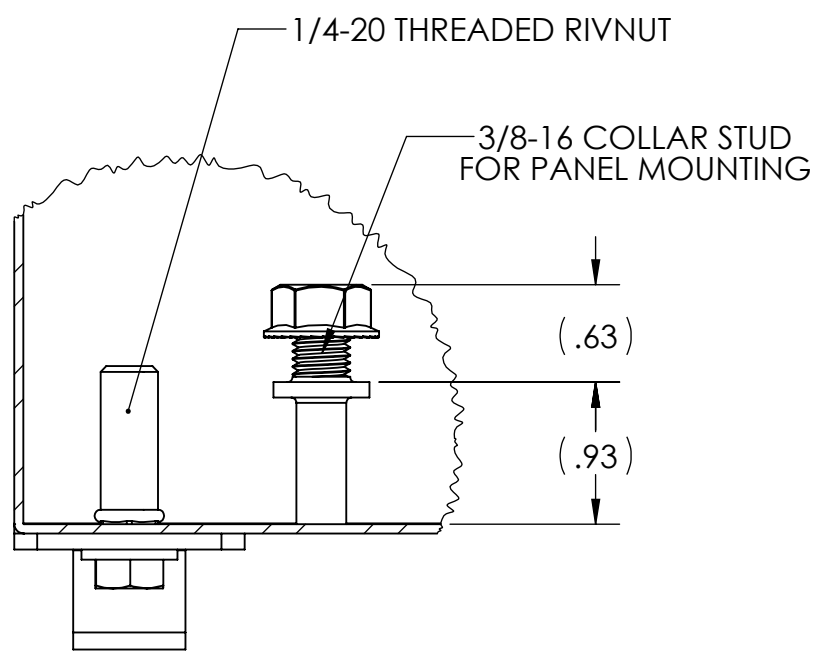
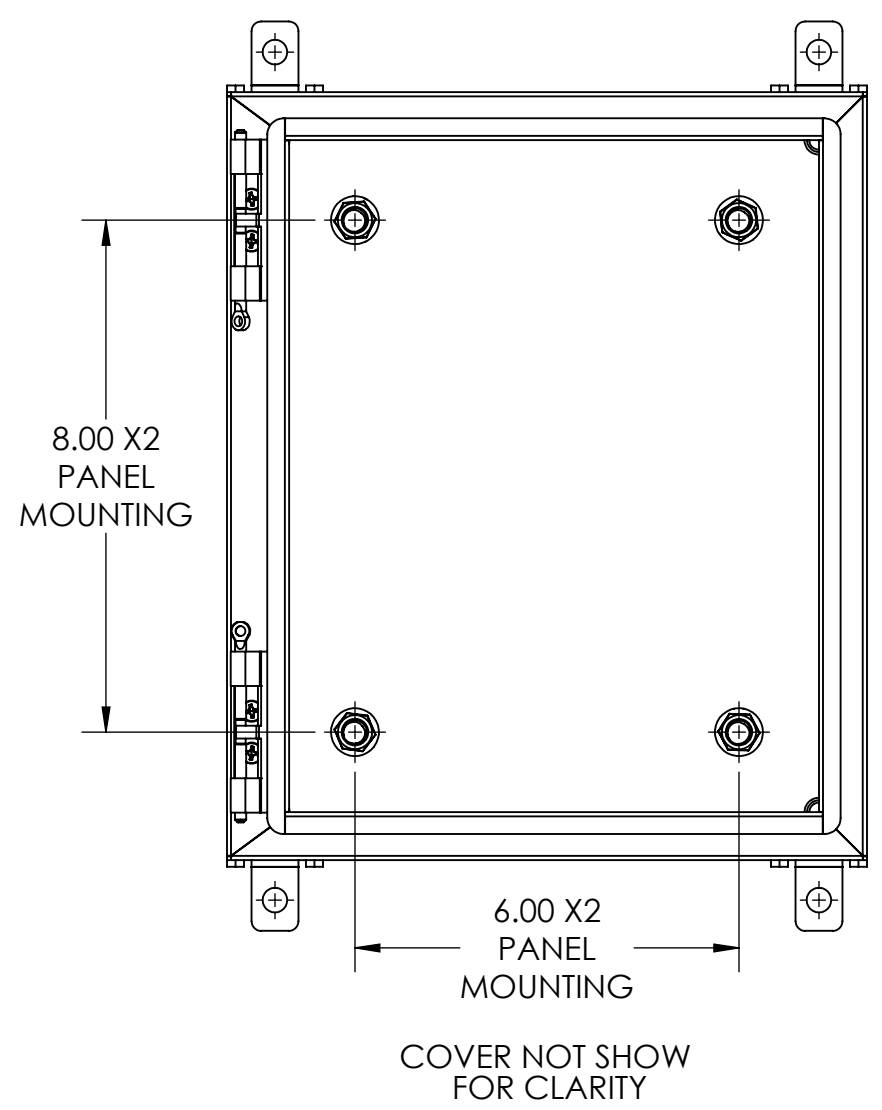
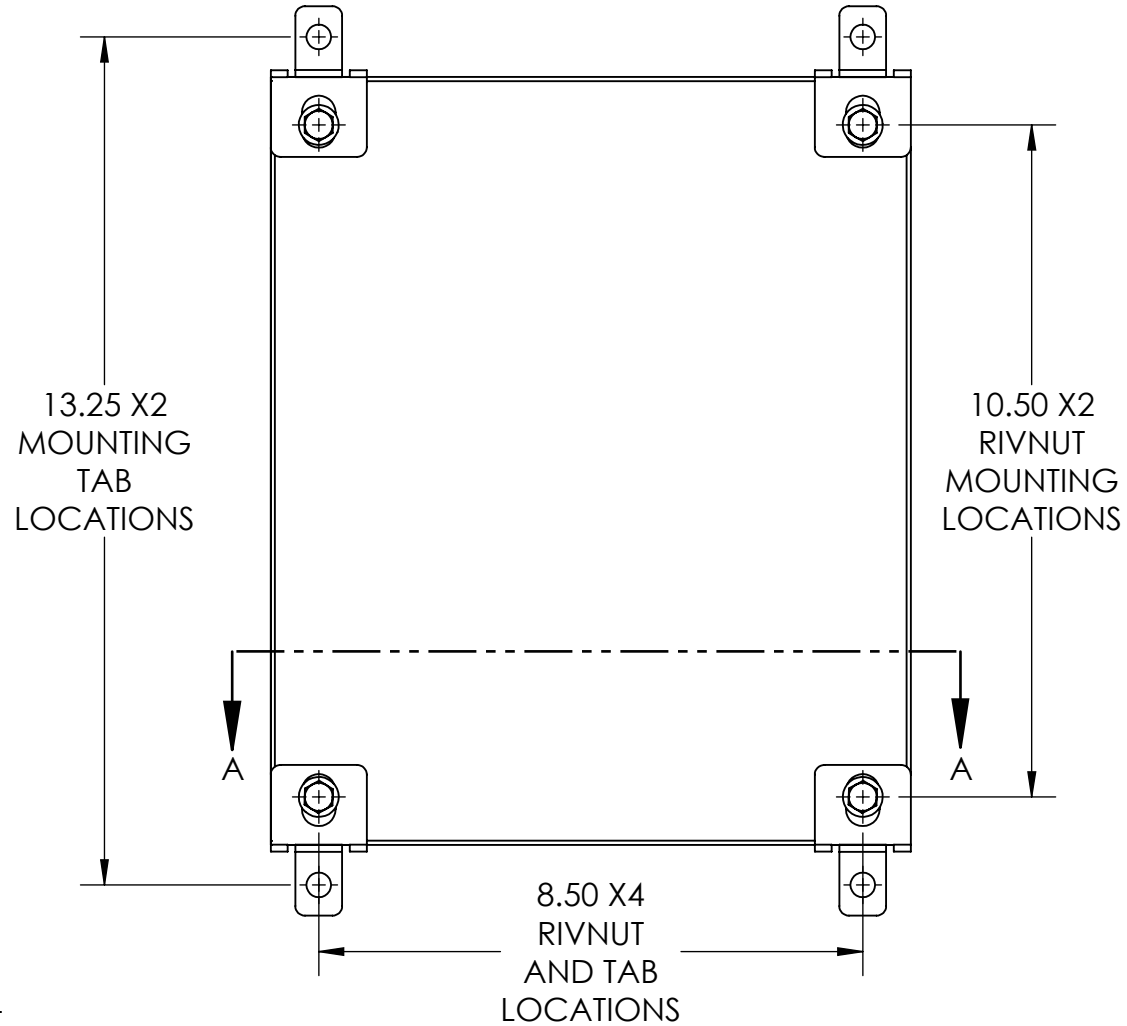
3

2

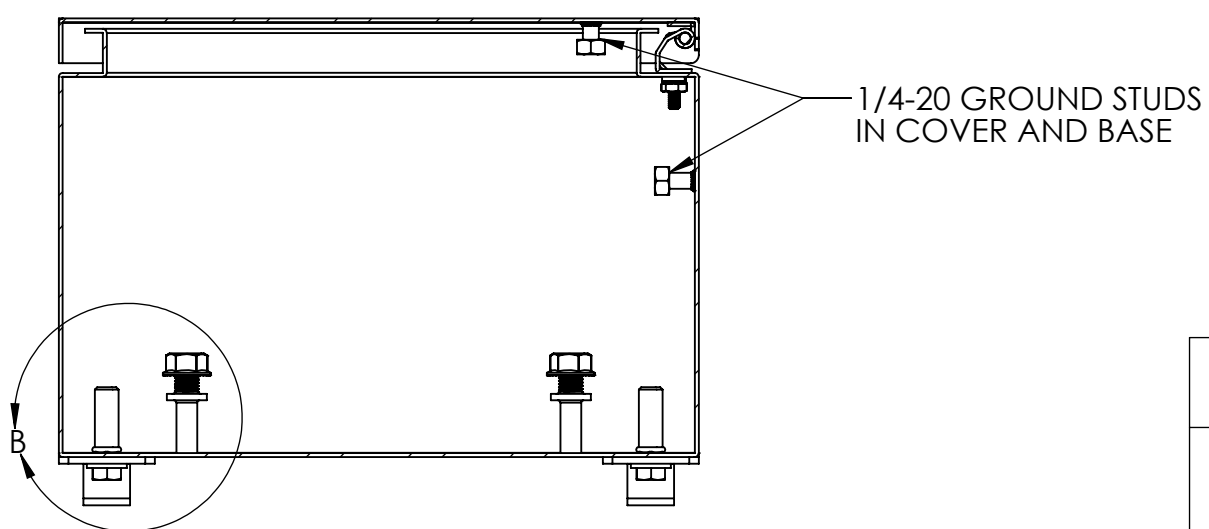
1

B

B



DETAIL B  
SCALE 4 : 5



SECTION A-A

**INTEGRA ENCLOSURES**  
 A DIVISION OF MUM INDUSTRIES  
 8989 TYLER BLVD. MENTOR, OH  
 (440)269-8155 FAX (440)269-8166

UNLESS OTHERWISE SPECIFIED:  
 DIMENSIONS ARE IN INCHES [MM]  
 AND ARE NOMINAL ONLY

**PROPRIETARY AND CONFIDENTIAL**  
 THE INFORMATION CONTAINED IN THIS  
 DRAWING IS THE SOLE PROPERTY OF  
 MUM INDUSTRIES INC. ANY  
 REPRODUCTION IN PART OR AS A WHOLE  
 WITHOUT THE WRITTEN PERMISSION OF  
 MUM INDUSTRIES INC. IS PROHIBITED.

DWG. NO.		
W121006-4PQ-BT		
SIZE	DESCRIPTION:	REV
<b>B</b>	WALL-12X10X06-304- PHN-QTL	<b>G</b>
DRAWN BY:	DLA	06.25.2021
SCALE: 1:3	WEIGHT:	SHEET 2 OF 2

4

3

2

1

A

A