

4

3

2

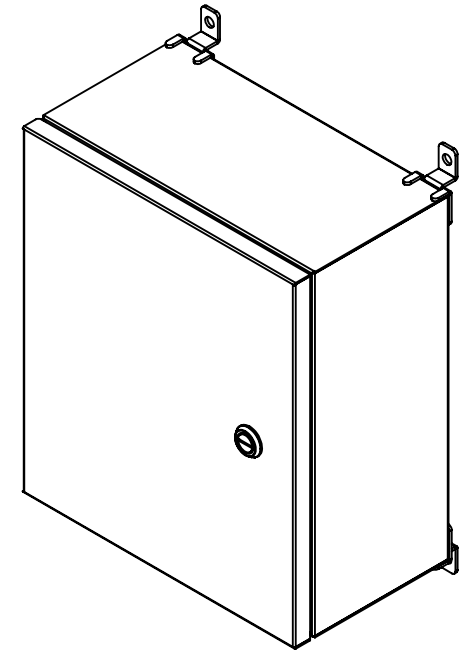
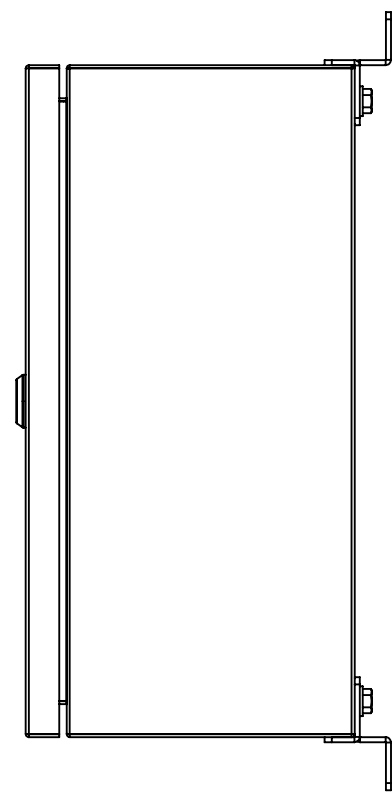
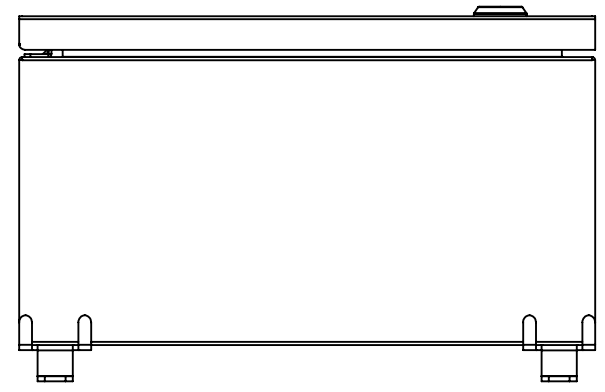
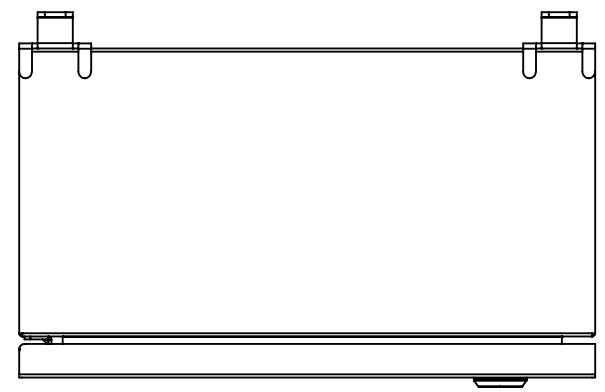
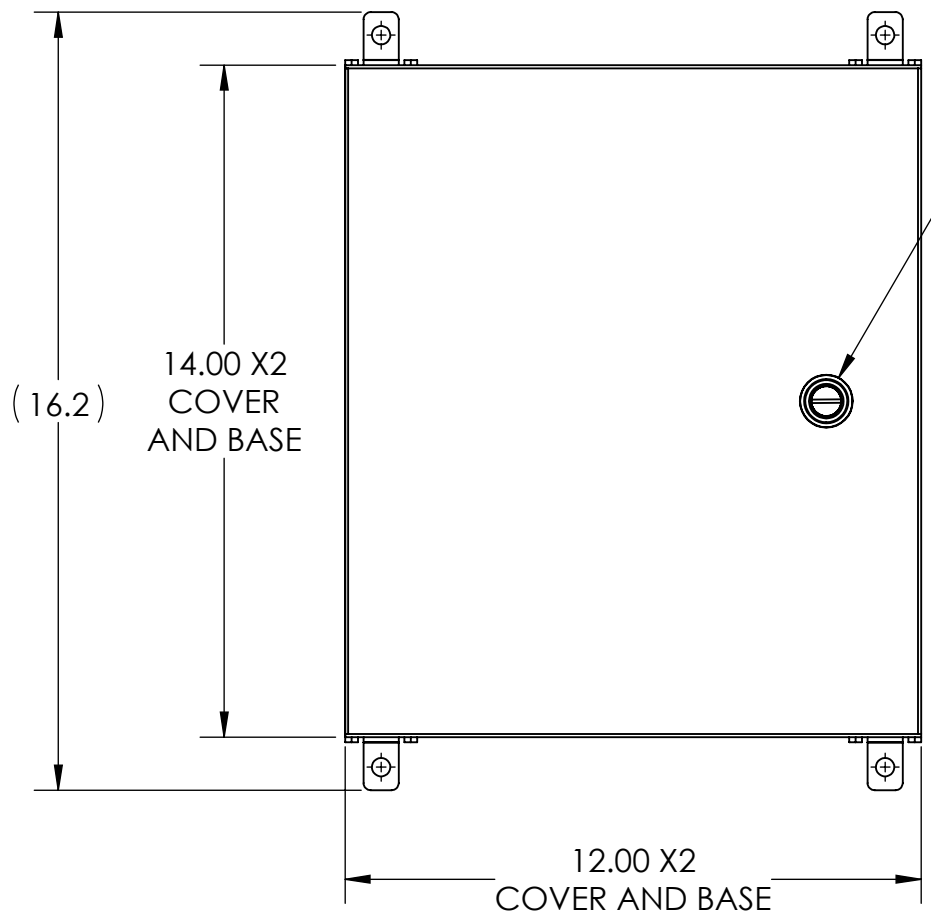
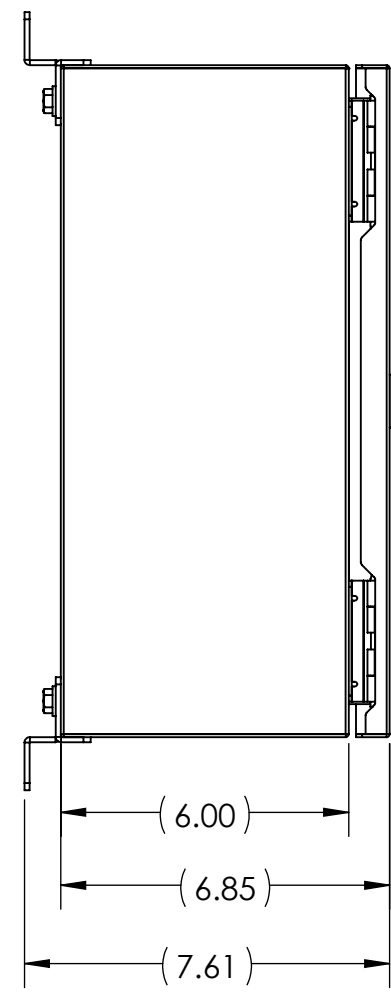
1

B

B

A

A



- NOTE:
 1. BASE MATERIAL: 16 Ga. (.060") 304 SS
 2. COVER MATERIAL: 16 Ga. (.060") 304 SS

UNLESS OTHERWISE SPECIFIED:
 DIMENSIONS ARE IN INCHES [MM]
 AND ARE NOMINAL ONLY

PROPRIETARY AND CONFIDENTIAL
 THE INFORMATION CONTAINED IN THIS
 DRAWING IS THE SOLE PROPERTY OF
 MUM INDUSTRIES INC. ANY
 REPRODUCTION IN PART OR AS A WHOLE
 WITHOUT THE WRITTEN PERMISSION OF
 MUM INDUSTRIES INC. IS PROHIBITED.

DRAWN BY: DLA 06.22.2021

INTEGRA ENCLOSURES A DIVISION OF MUM INDUSTRIES 8989 TYLER BLVD. MENTOR, OH (440)269-8155 FAX (440)269-8166		
DWG. NO. W141206-4PQ-BT		
SIZE B	DESCRIPTION: WALL-14X12X06-304- PHN-QTL	REV G
SCALE: 1:4	WEIGHT:	SHEET 1 OF 2

4

3

2

1

4

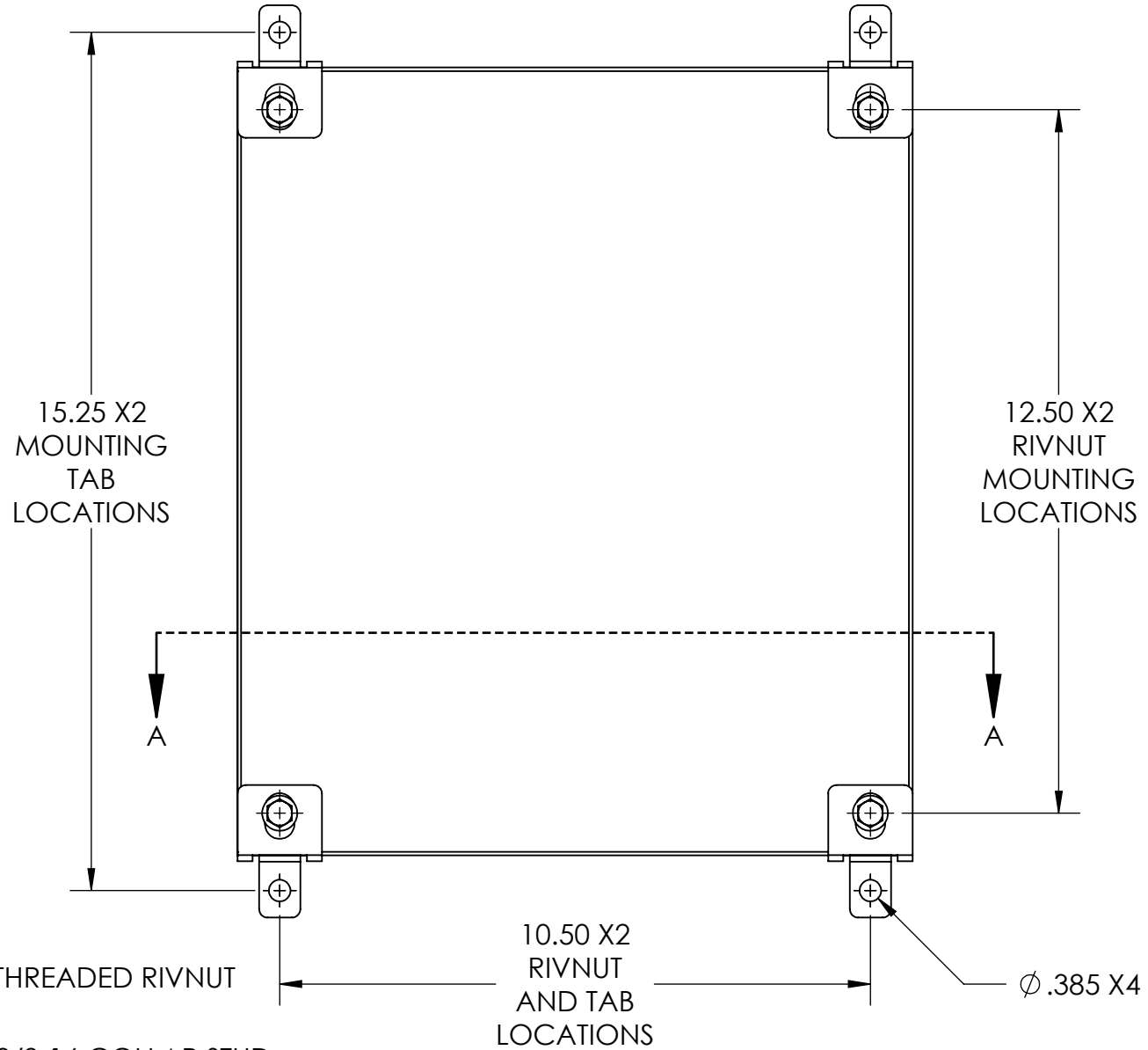
3

2

1

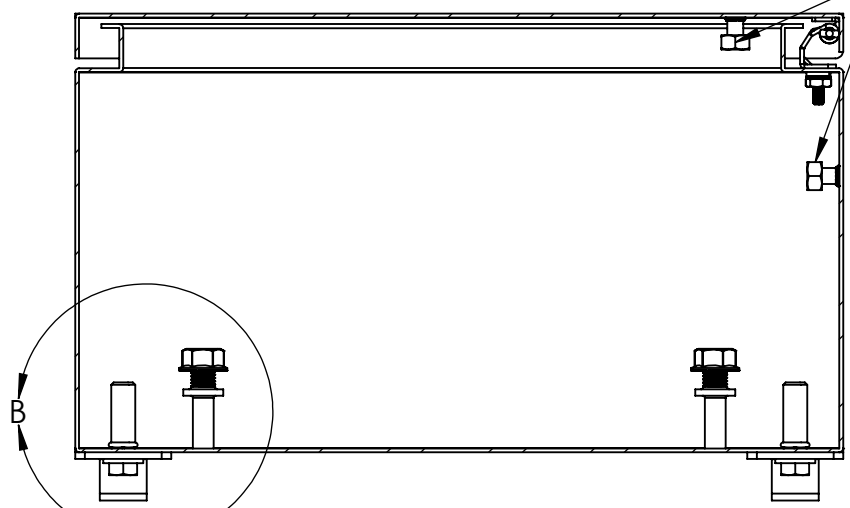
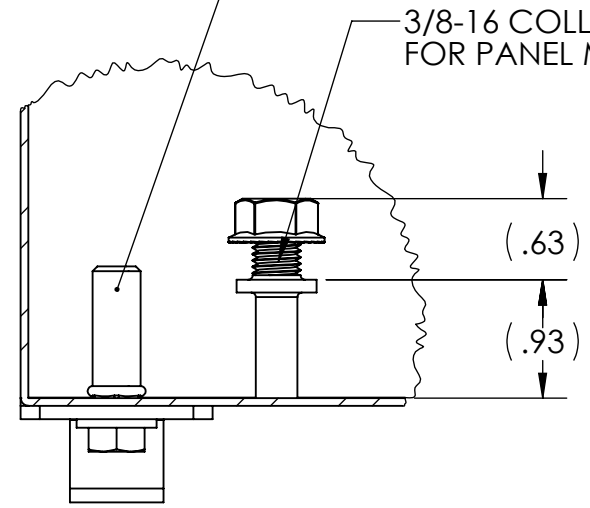
B

B



A

A



4

3

2

1

INTEGRA ENCLOSURES
 A DIVISION OF MUM INDUSTRIES
 8989 TYLER BLVD. MENTOR, OH
 (440)269-8155 FAX (440)269-8166

UNLESS OTHERWISE SPECIFIED:
 DIMENSIONS ARE IN INCHES [MM]
 AND ARE NOMINAL ONLY

PROPRIETARY AND CONFIDENTIAL
 THE INFORMATION CONTAINED IN THIS
 DRAWING IS THE SOLE PROPERTY OF
 MUM INDUSTRIES INC. ANY
 REPRODUCTION IN PART OR AS A WHOLE
 WITHOUT THE WRITTEN PERMISSION OF
 MUM INDUSTRIES INC. IS PROHIBITED.

DRAWN BY: DLA 06.22.2021

DWG. NO. W141206-4PQ-BT		
SIZE B	DESCRIPTION: WALL-14X12X06-304- PHN-QTL	REV G
SCALE: 1:3	WEIGHT:	SHEET 2 OF 2