

4

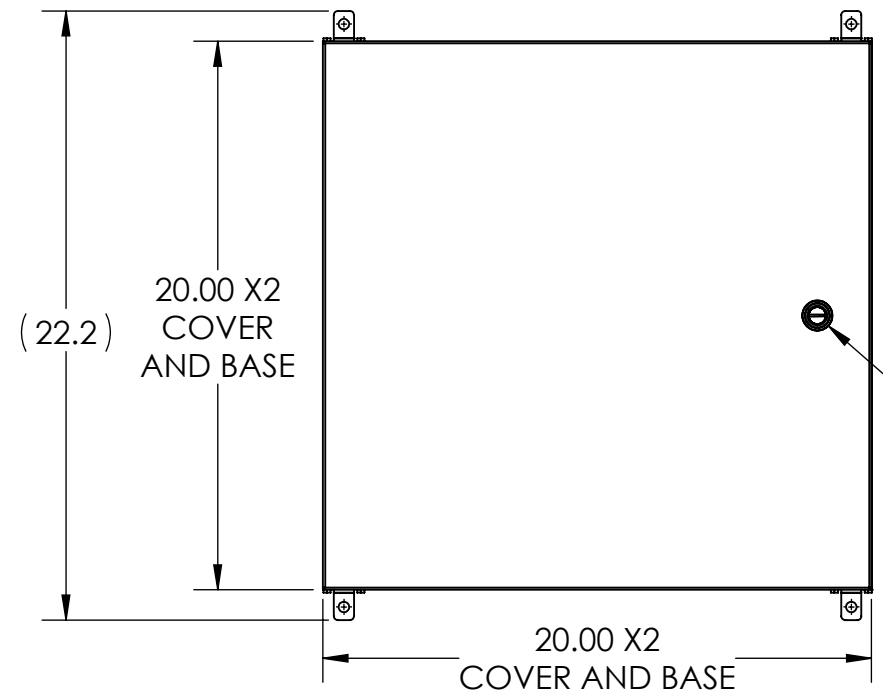
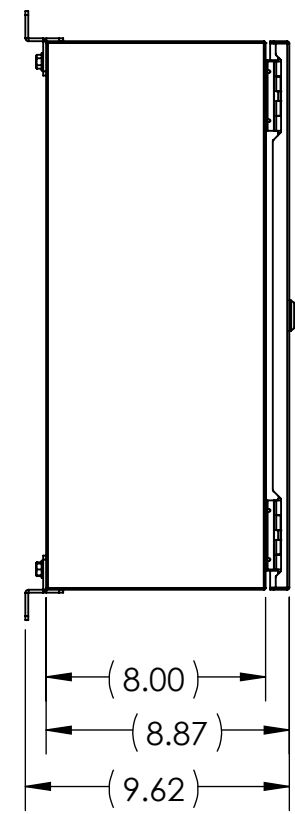
3

2

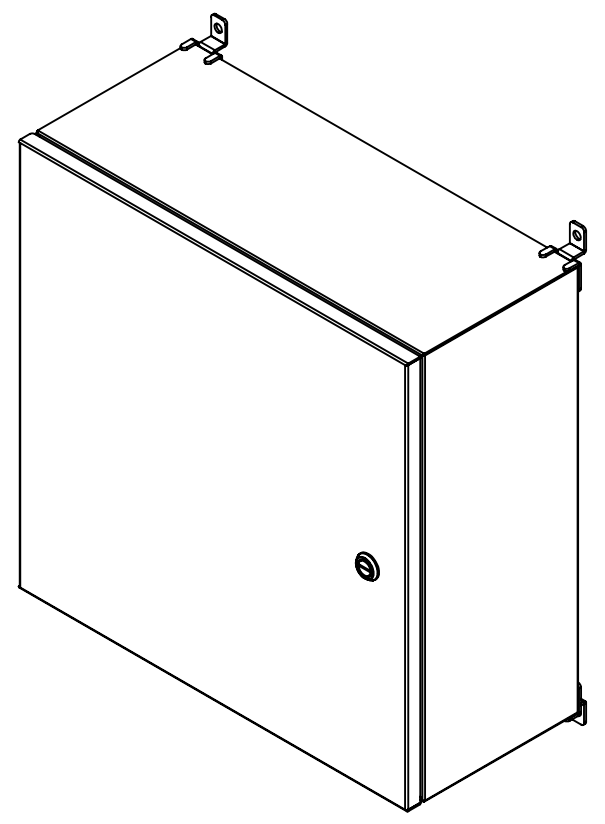
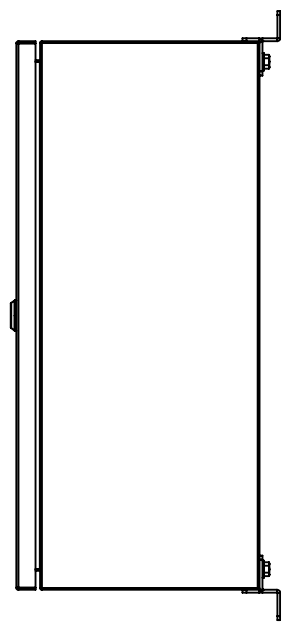
1

B

B

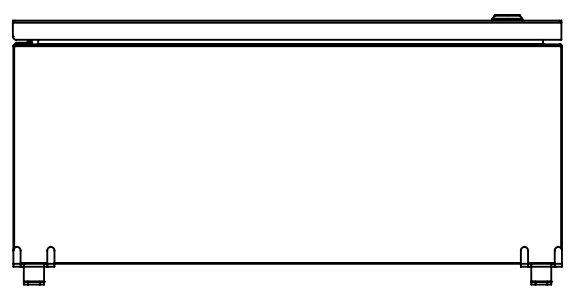


SLOTTED QUARTER TURN LATCH



A

A



NOTE:

- 1. BASE MATERIAL: 16 Ga. (.060") 304 SS
- 2. COVER MATERIAL: 14 Ga. (.075") 304 SS

**INTEGRA ENCLOSURES**

A DIVISION OF MUM INDUSTRIES  
8989 TYLER BLVD. MENTOR, OH  
ENCLOSURES (440)269-8155 FAX (440)269-8166

UNLESS OTHERWISE SPECIFIED:  
DIMENSIONS ARE IN INCHES [MM]  
AND ARE NOMINAL ONLY

**PROPRIETARY AND CONFIDENTIAL**  
THE INFORMATION CONTAINED IN THIS  
DRAWING IS THE SOLE PROPERTY OF  
MUM INDUSTRIES INC. ANY  
REPRODUCTION IN PART OR AS A WHOLE  
WITHOUT THE WRITTEN PERMISSION OF  
MUM INDUSTRIES INC. IS PROHIBITED.

DWG. NO.  
**W202008-4PQ-BT**

SIZE <b>B</b>	DESCRIPTION: WALL-20X20X08-304- PHN-QTL	REV <b>D</b>
------------------	---	-----------------

DRAWN BY:	DLA	05.26.21	SCALE: 1:7	WEIGHT:	SHEET 1 OF 2
-----------	-----	----------	------------	---------	--------------

4

3

2

1

4

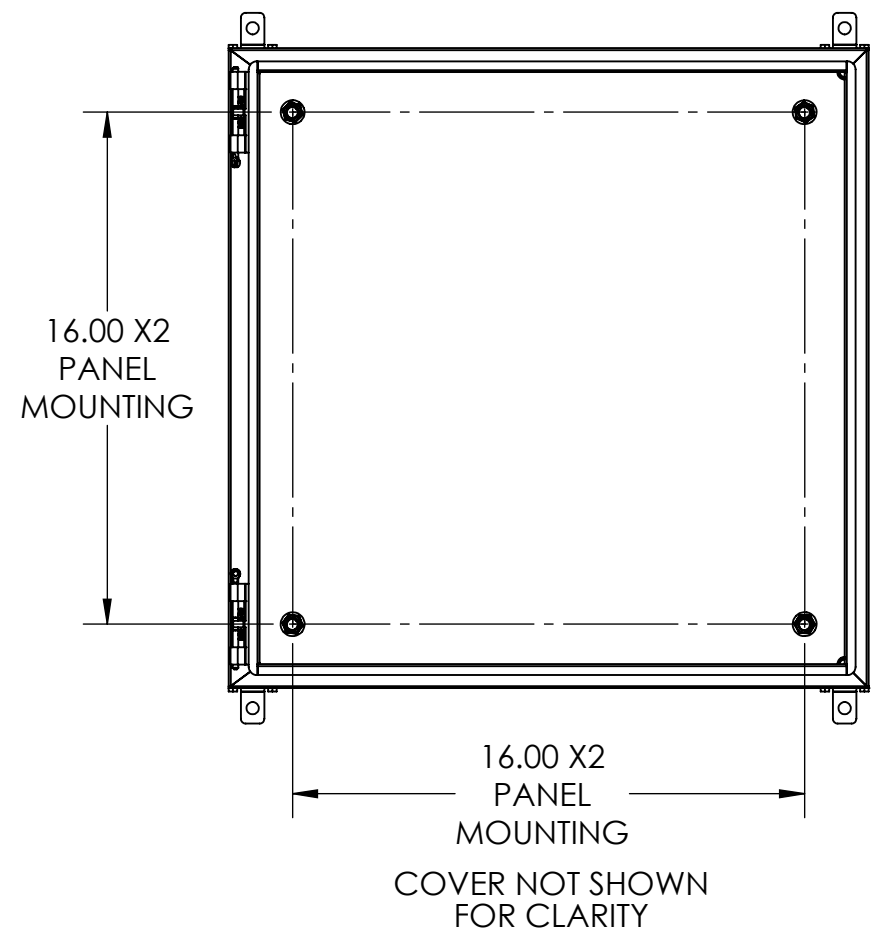
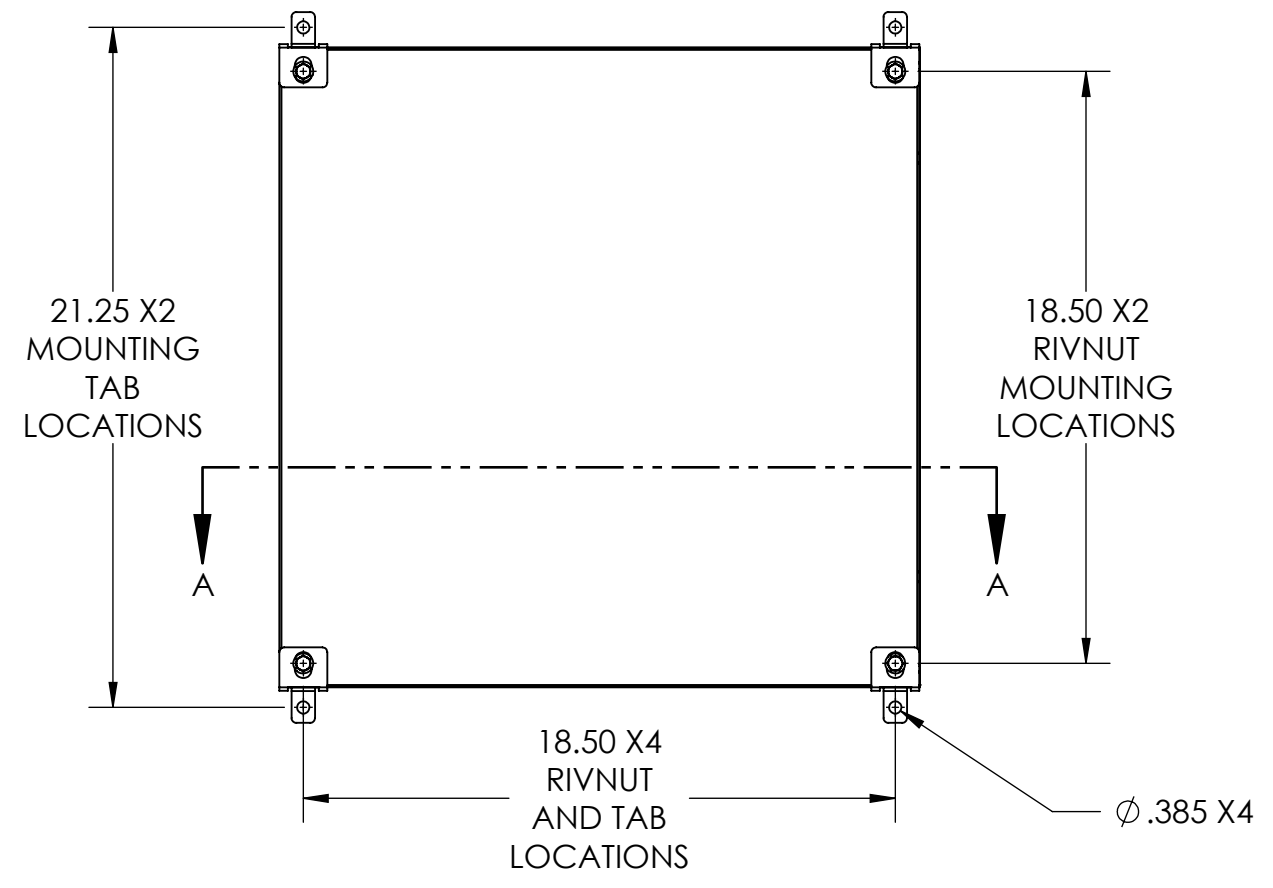
3

2

1

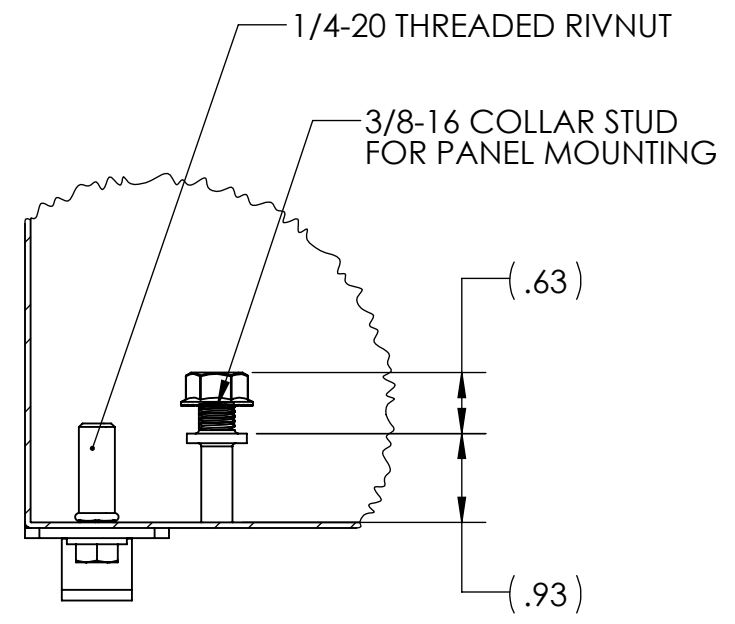
B

B

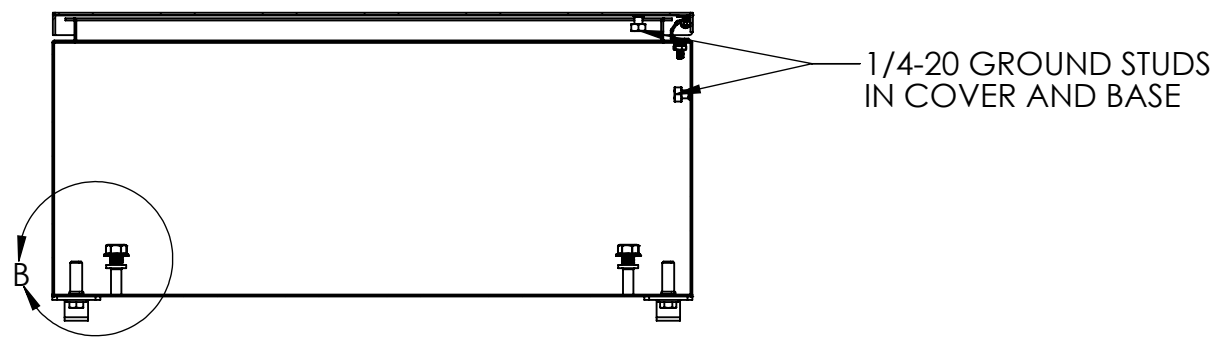


A

A



DETAIL B  
SCALE 1 : 2



SECTION A-A

4

3

2

1

UNLESS OTHERWISE SPECIFIED:  
DIMENSIONS ARE IN INCHES [MM]  
AND ARE NOMINAL ONLY

**PROPRIETARY AND CONFIDENTIAL**  
THE INFORMATION CONTAINED IN THIS  
DRAWING IS THE SOLE PROPERTY OF  
MUM INDUSTRIES INC. ANY  
REPRODUCTION IN PART OR AS A WHOLE  
WITHOUT THE WRITTEN PERMISSION OF  
MUM INDUSTRIES INC. IS PROHIBITED.

DRAWN BY: DLA 05.26.21

**INTEGRA ENCLOSURES**  
A DIVISION OF MUM INDUSTRIES  
8989 TYLER BLVD. MENTOR, OH  
(440)269-8155 FAX (440)269-8166

DWG. NO. <b>W202008-4PQ-BT</b>		
SIZE <b>B</b>	DESCRIPTION: WALL-20X20X08-304- PHN-QTL	REV <b>D</b>
SCALE: 1:6	WEIGHT:	SHEET 2 OF 2