

4

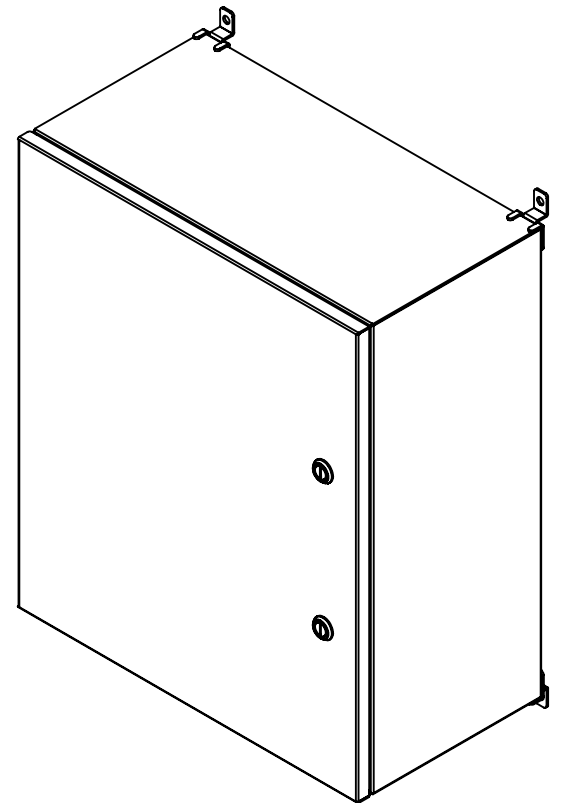
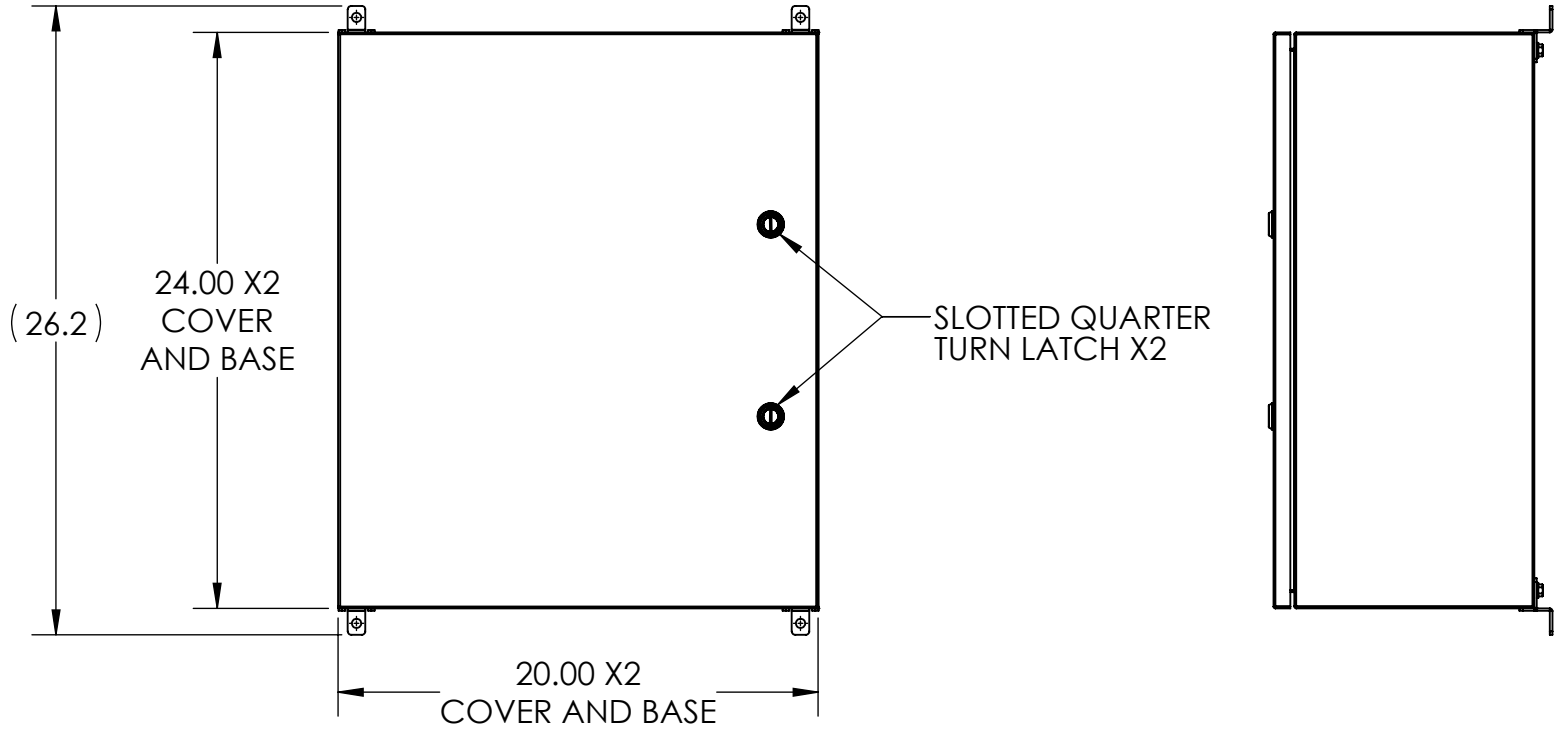
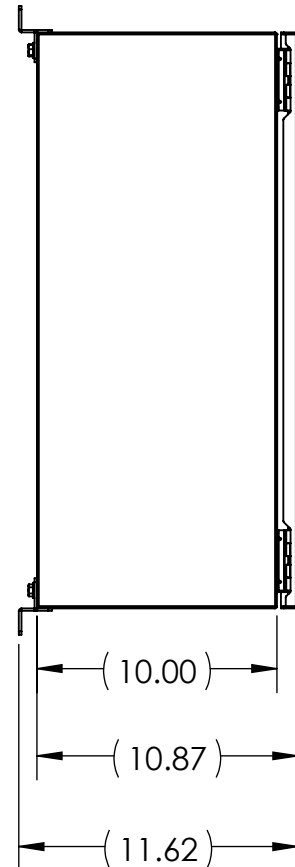
3

2

1

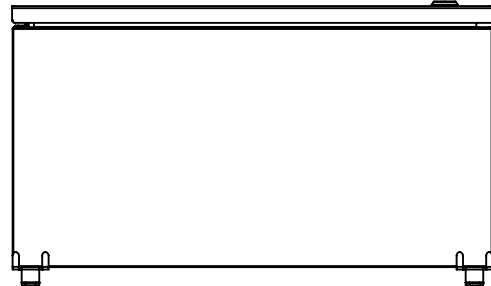
B

B



A

A



- NOTES:  
 1. BASE MATERIAL: 14 Ga. (.075") 304 SS  
 2. COVER MATERIAL: 14 Ga. (.075") 304 SS

**INTEGRA ENCLOSURES**  
 A DIVISION OF MUM INDUSTRIES  
 8989 TYLER BLVD. MENTOR, OH  
 (440)269-8155 FAX (440)269-8166

UNLESS OTHERWISE SPECIFIED: DIMENSIONS ARE IN INCHES [MM] AND ARE NOMINAL ONLY			DWG. NO. <b>W242010-4PQ-BT</b>	
<b>PROPRIETARY AND CONFIDENTIAL</b> THE INFORMATION CONTAINED IN THIS DRAWING IS THE SOLE PROPERTY OF MUM INDUSTRIES INC. ANY REPRODUCTION IN PART OR AS A WHOLE WITHOUT THE WRITTEN PERMISSION OF MUM INDUSTRIES INC. IS PROHIBITED.			SIZE <b>B</b>	DESCRIPTION: WALL-24X20X10-304- PHN-QTL
REV <b>F</b>	SCALE: 1:8	WEIGHT:	SHEET 1 OF 2	

4

3

2

1

4

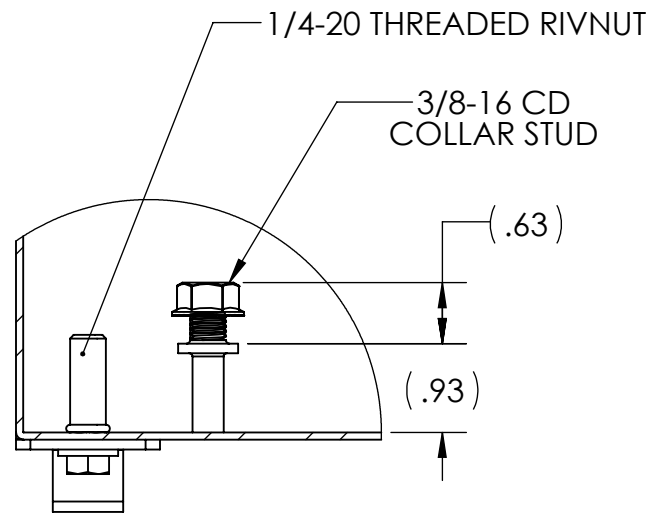
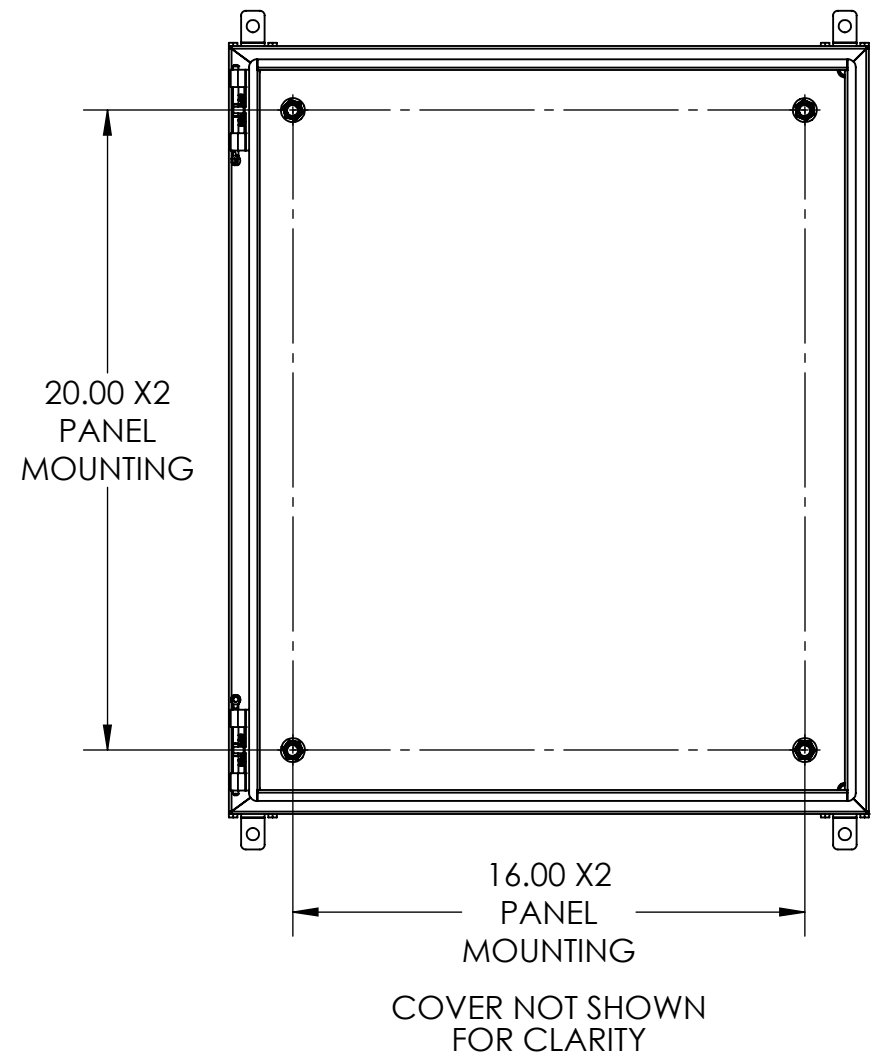
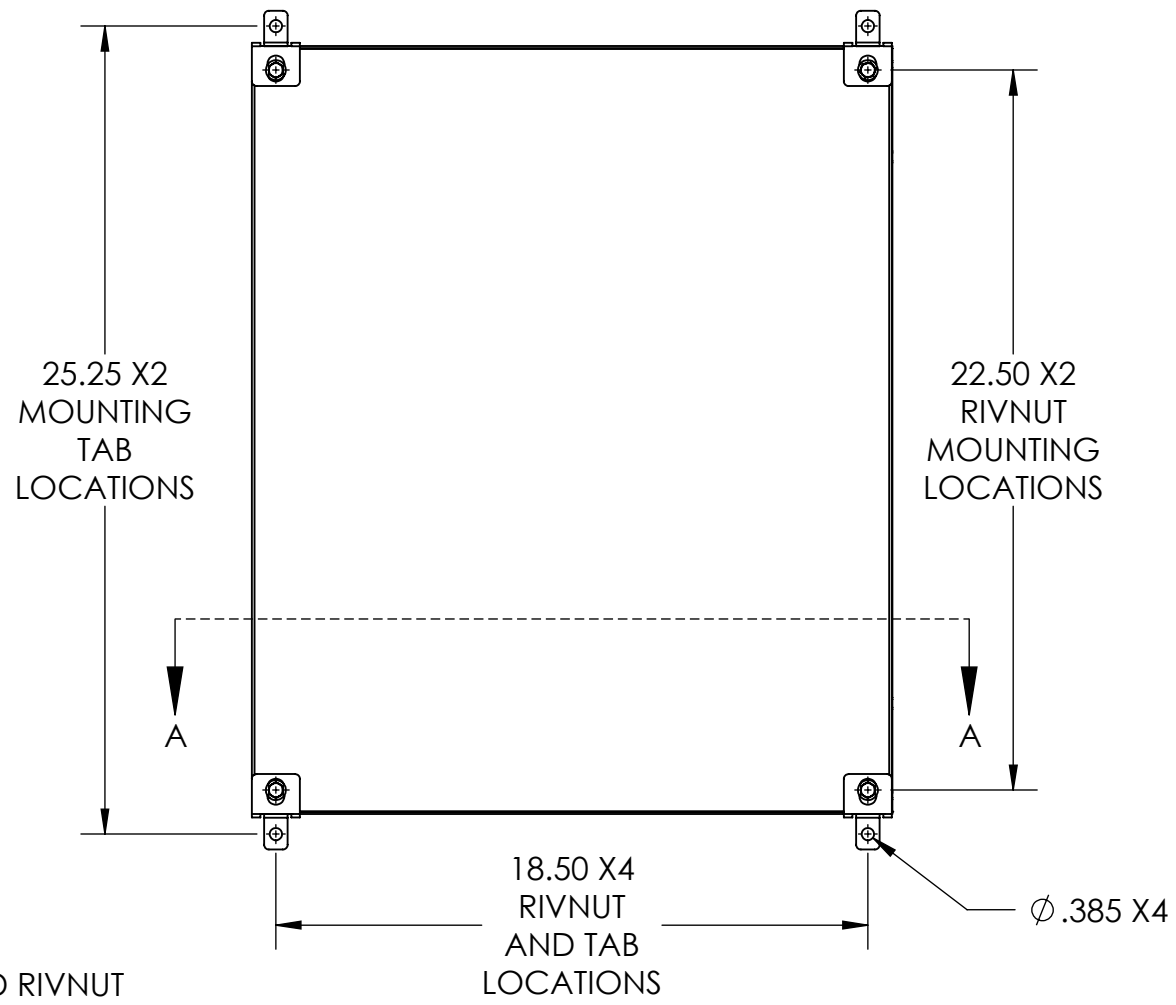
3

2

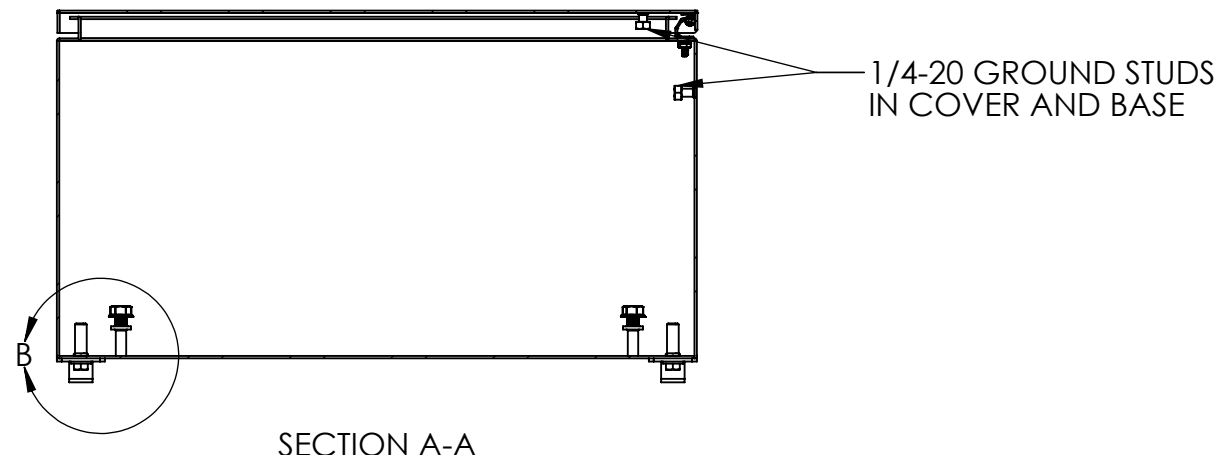
1

B

B



DETAIL B  
SCALE 1 : 2  
X4 PLACES



**INTEGRA ENCLOSURES**

**INTEGRA ENCLOSURES** A DIVISION OF MUM INDUSTRIES  
8989 TYLER BLVD. MENTOR, OH  
(440)269-8155 FAX (440)269-8166

UNLESS OTHERWISE SPECIFIED:  
DIMENSIONS ARE IN INCHES [MM]  
AND ARE NOMINAL ONLY

DWG. NO.  
**W242010-4PQ-BT**

**PROPRIETARY AND CONFIDENTIAL**  
THE INFORMATION CONTAINED IN THIS  
DRAWING IS THE SOLE PROPERTY OF  
MUM INDUSTRIES INC. ANY  
REPRODUCTION IN PART OR AS A WHOLE  
WITHOUT THE WRITTEN PERMISSION OF  
MUM INDUSTRIES INC. IS PROHIBITED.

SIZE	DESCRIPTION:	REV
<b>B</b>	WALL-24X20X10-304-PHN-QTL	<b>F</b>

DRAWN BY: CV 04.09.2021

SCALE: 1:6 WEIGHT: SHEET 2 OF 2

4

3

2

1

A

A