

4

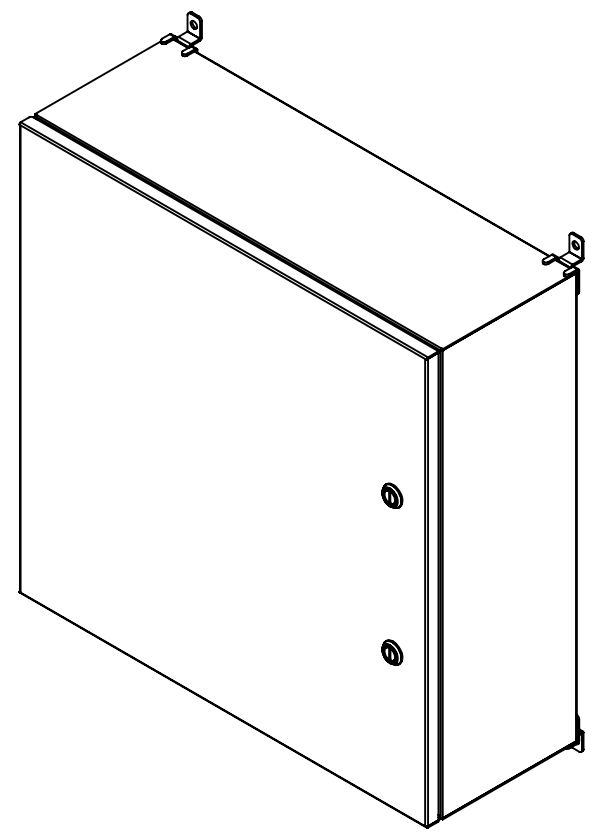
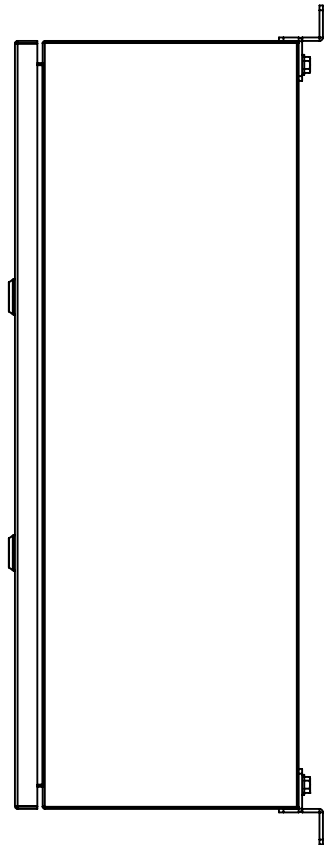
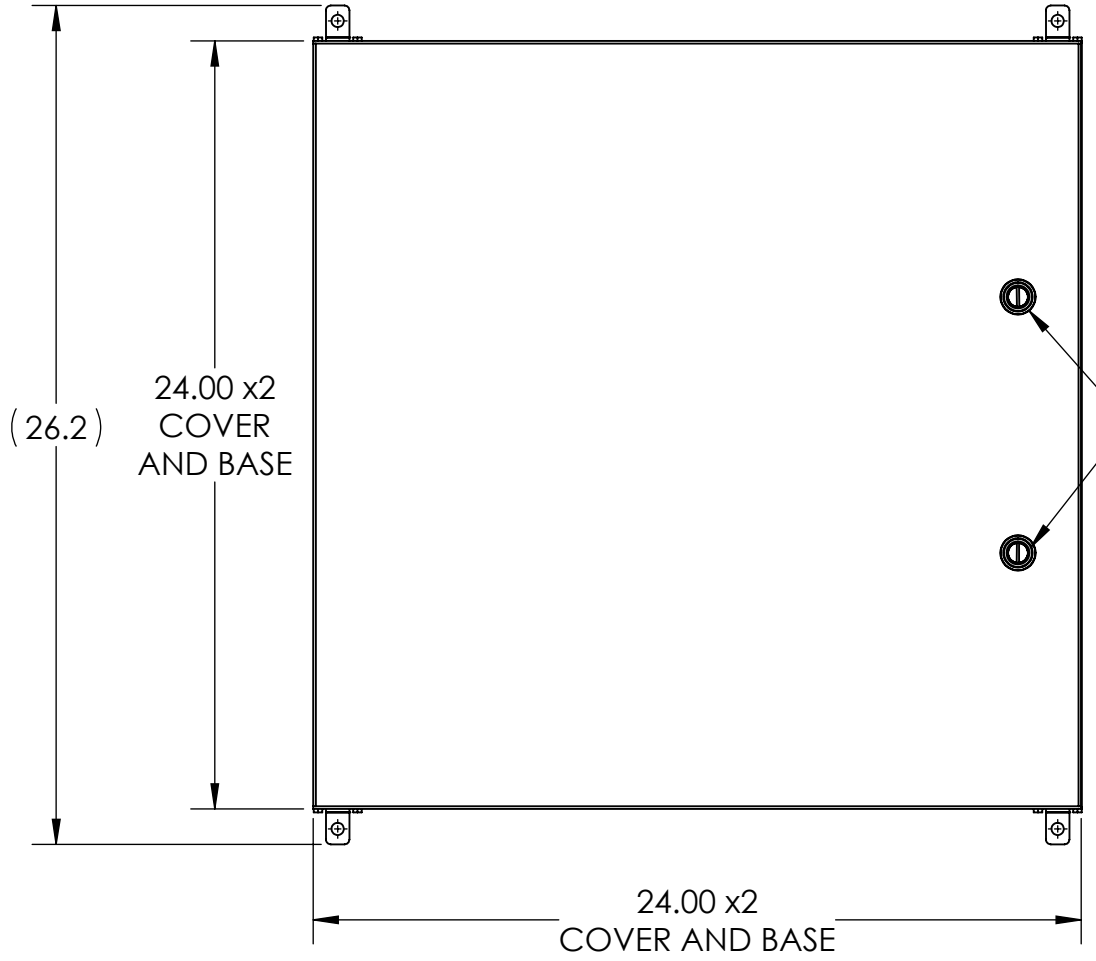
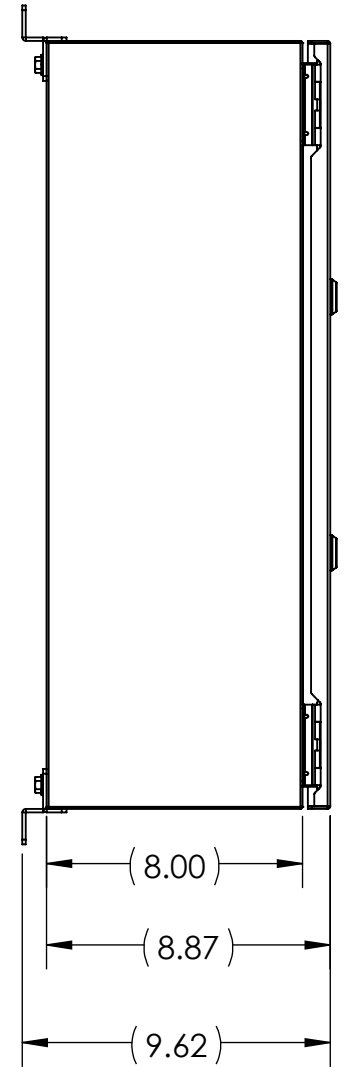
3

2

1

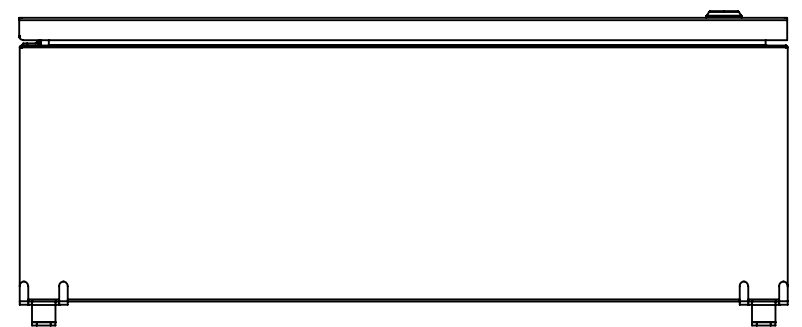
B

B



A

A



- NOTES:
1. BASE MATERIAL: 16 Ga. (.060") 304 SS
2. COVER MATERIAL: 14 Ga. (.075") 304 SS

INTEGRA ENCLOSURES
A DIVISION OF MUM INDUSTRIES
8989 TYLER BLVD. MENTOR, OH
(440)269-8155 FAX (440)269-8166

UNLESS OTHERWISE SPECIFIED: DIMENSIONS ARE IN INCHES [MM] AND ARE NOMINAL ONLY			DWG. NO. W242408-4PQ-BT		
PROPRIETARY AND CONFIDENTIAL THE INFORMATION CONTAINED IN THIS DRAWING IS THE SOLE PROPERTY OF MUM INDUSTRIES INC. ANY REPRODUCTION IN PART OR AS A WHOLE WITHOUT THE WRITTEN PERMISSION OF MUM INDUSTRIES INC. IS PROHIBITED.			SIZE B	DESCRIPTION: WALL-24X24X08-304- PHN-QTL	REV E
DRAWN BY: DBC	12.10.2024	SCALE: 1:6	WEIGHT:	SHEET 1 OF 2	

4

3

2

1

4

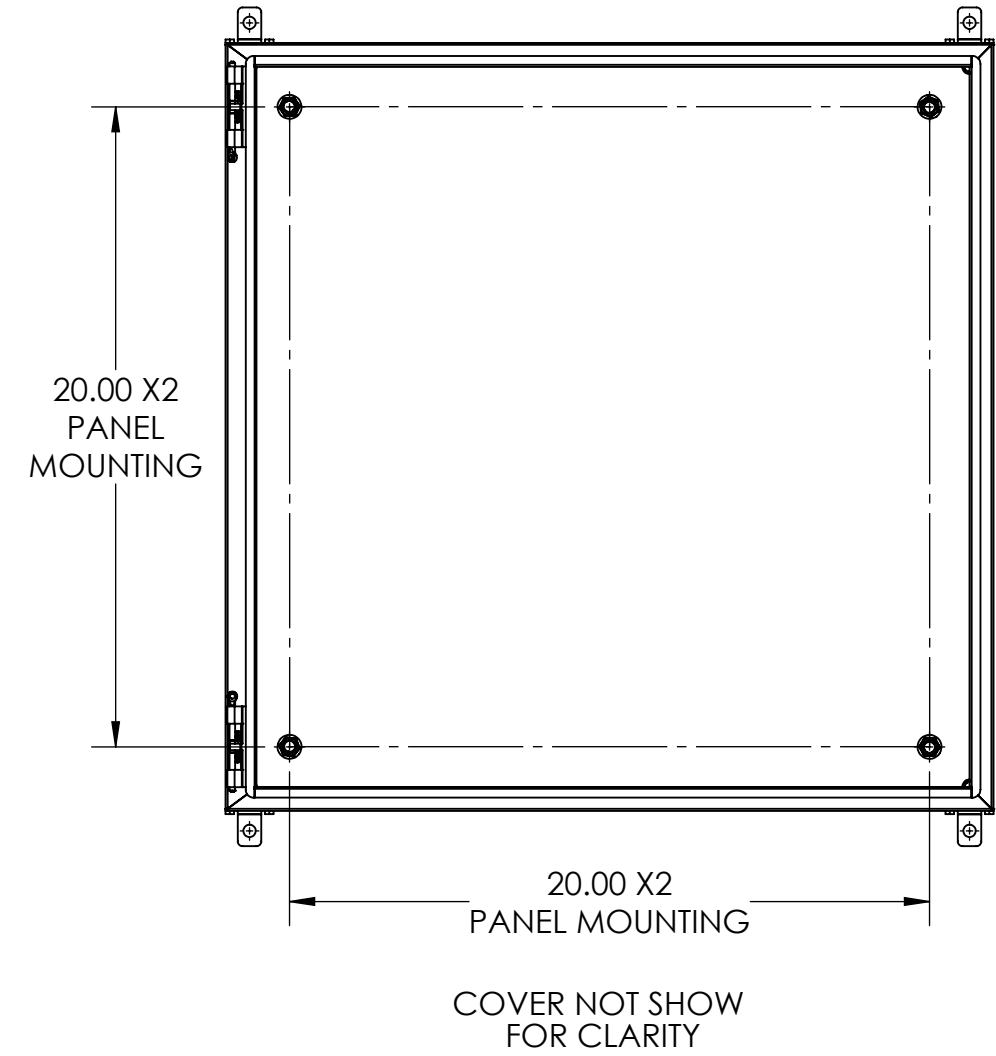
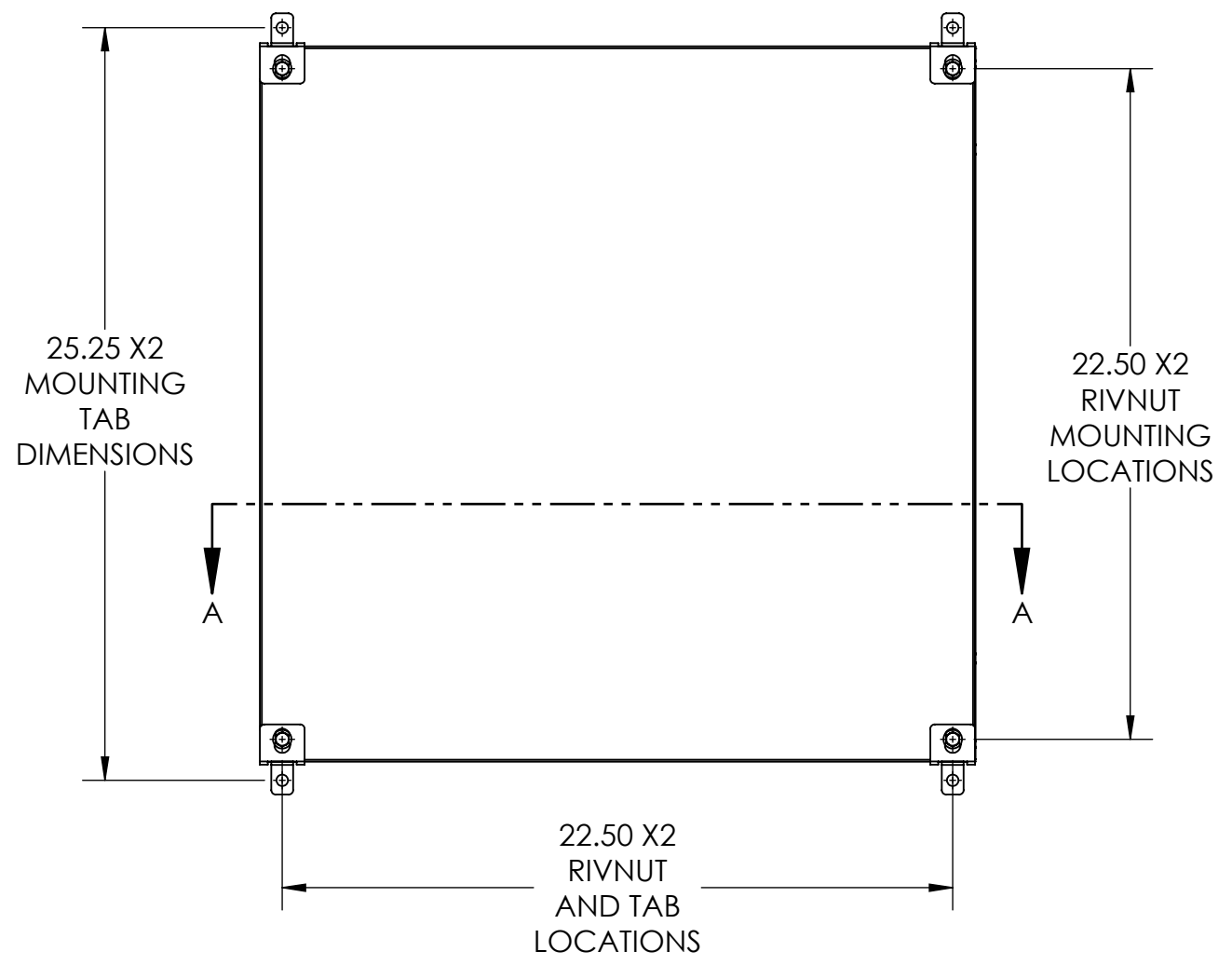
3

2

1

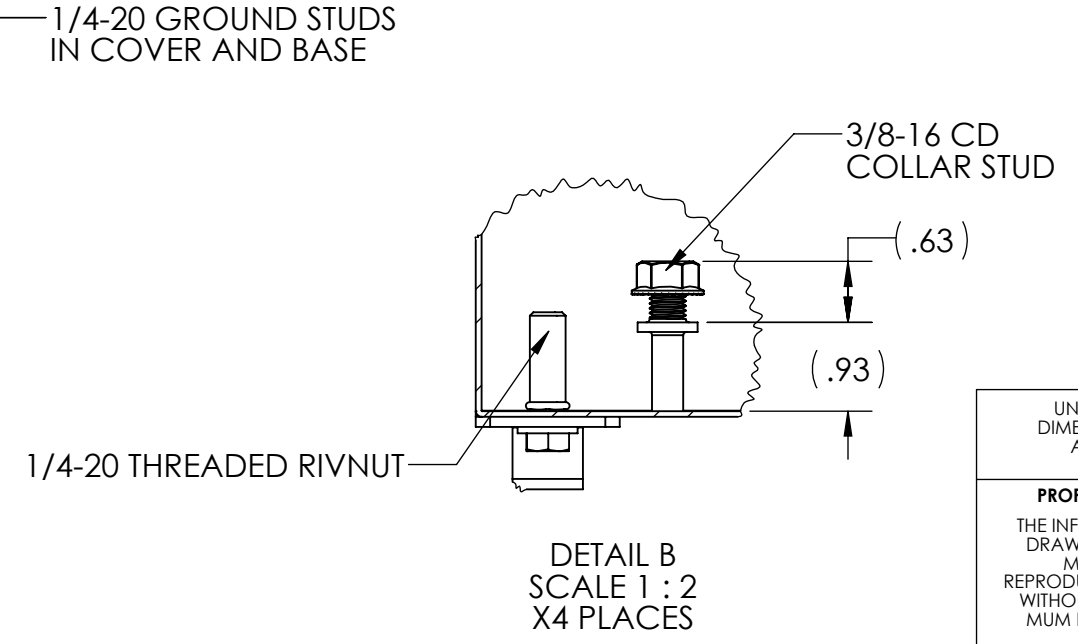
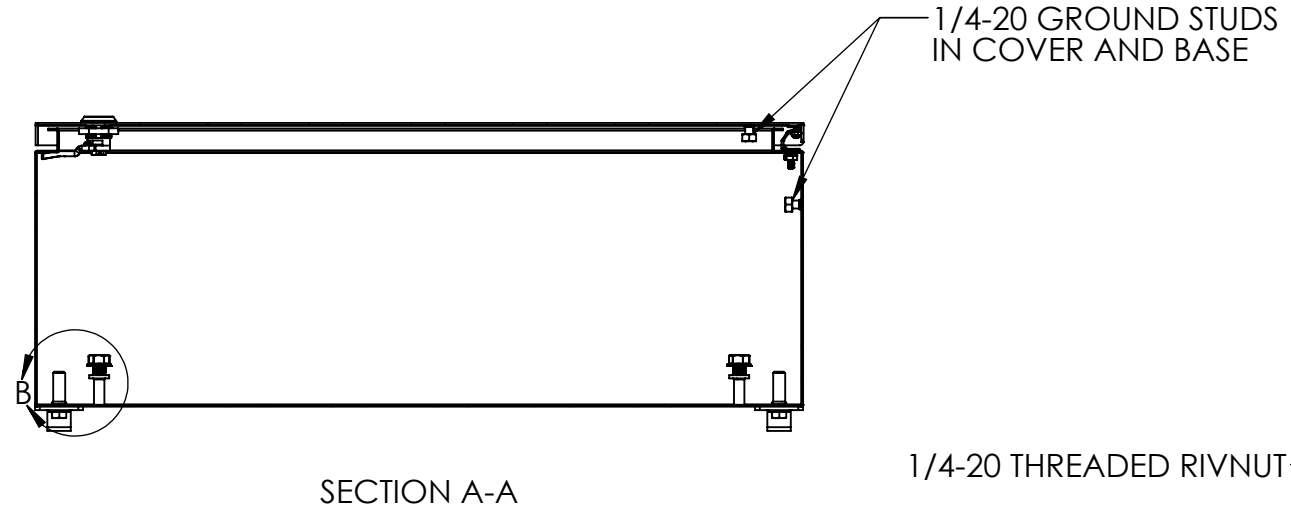
B

B



A

A



UNLESS OTHERWISE SPECIFIED:
DIMENSIONS ARE IN INCHES [MM]
AND ARE NOMINAL ONLY

PROPRIETARY AND CONFIDENTIAL
THE INFORMATION CONTAINED IN THIS
DRAWING IS THE SOLE PROPERTY OF
MUM INDUSTRIES INC. ANY
REPRODUCTION IN PART OR AS A WHOLE
WITHOUT THE WRITTEN PERMISSION OF
MUM INDUSTRIES INC. IS PROHIBITED.

DRAWN BY: DBC 12.10.2024

INTEGRA ENCLOSURES
A DIVISION OF MUM INDUSTRIES
8989 TYLER BLVD. MENTOR, OH
ENCLOSURES (440)269-8155 FAX (440)269-8166

DWG. NO.		
W242408-4PQ-BT		
SIZE	DESCRIPTION:	REV
B	WALL-24X24X08-304-PHN-QTL	E
SCALE: 1:6	WEIGHT:	SHEET 2 OF 2

4

3

2

1