

4

3

2

1

D

D

C

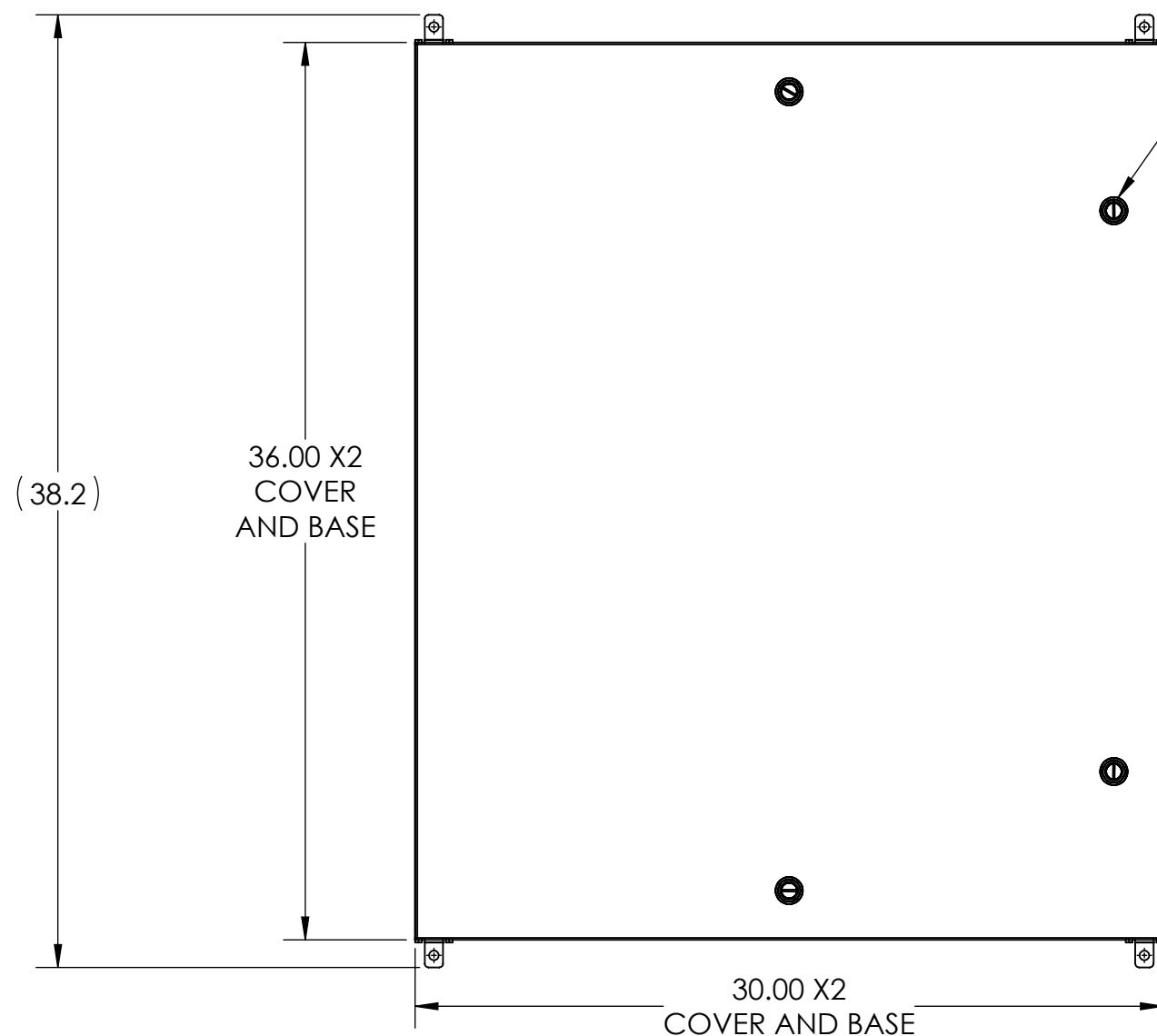
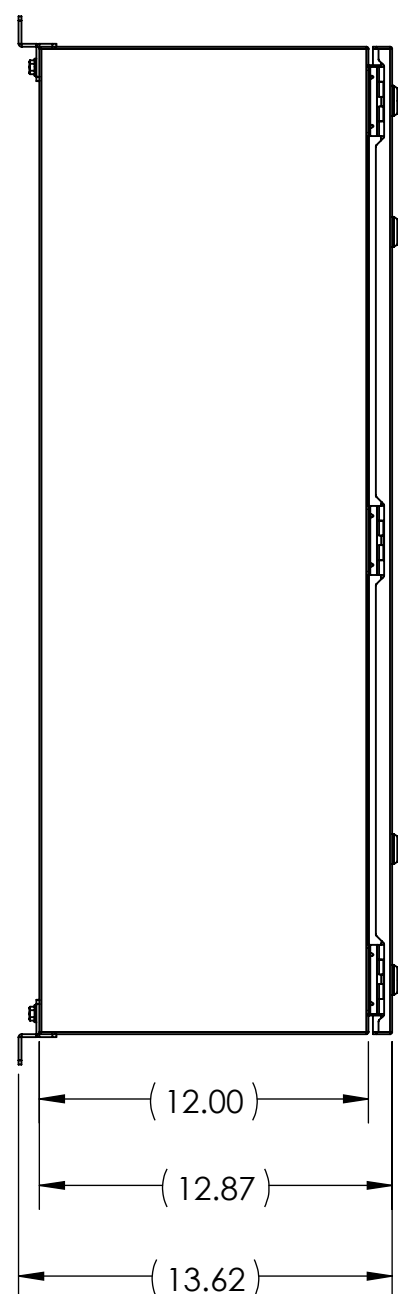
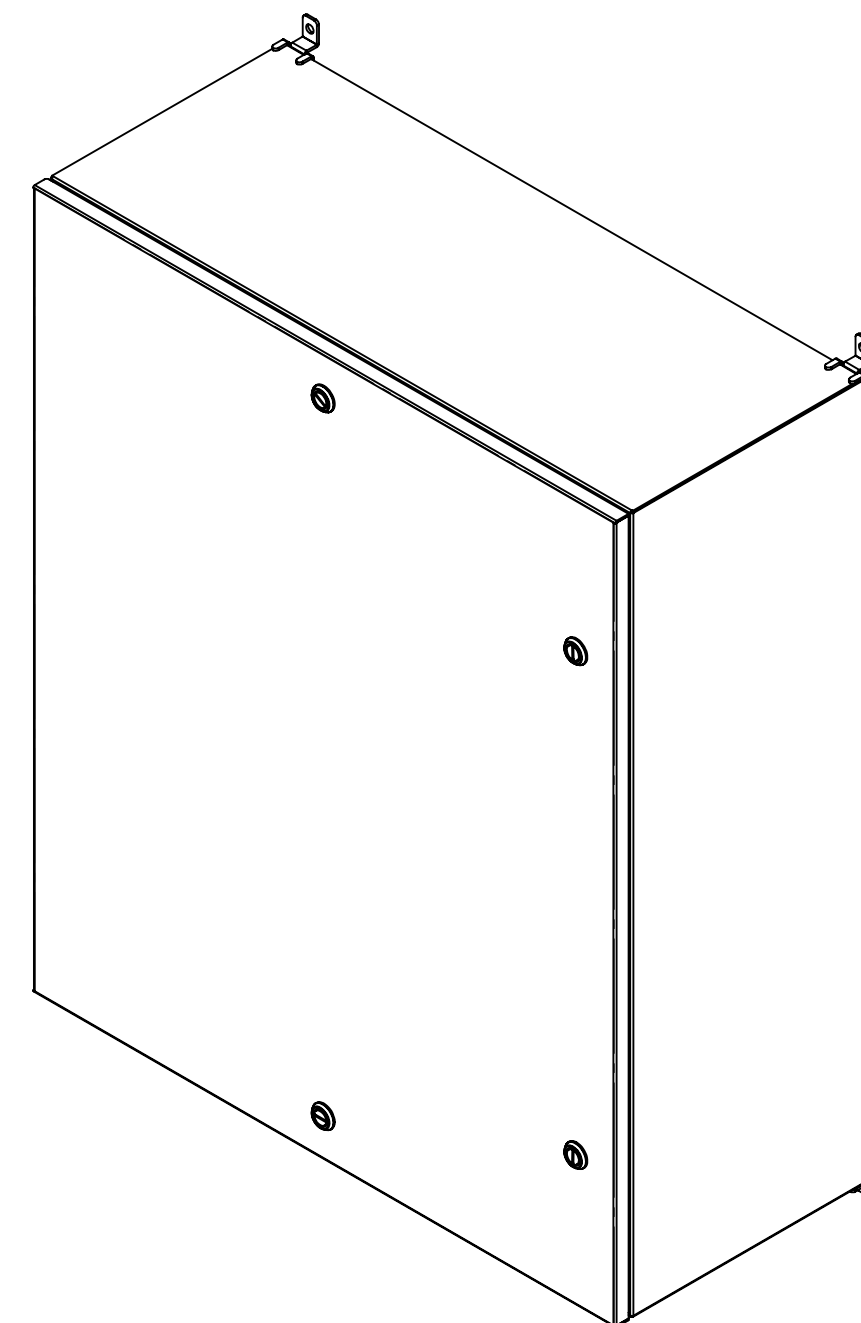
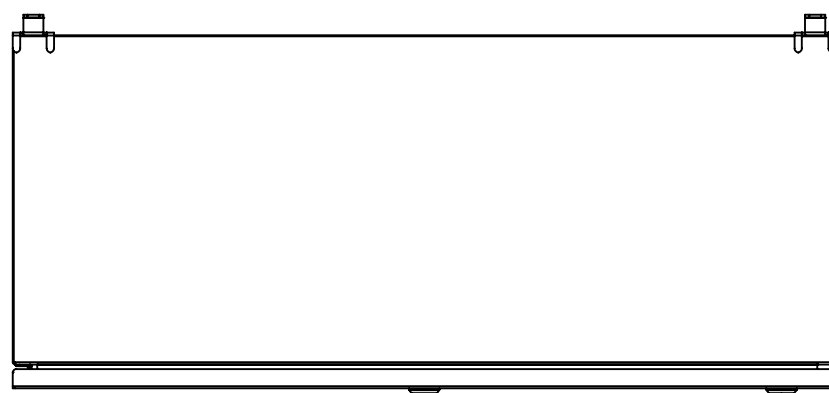
C

B

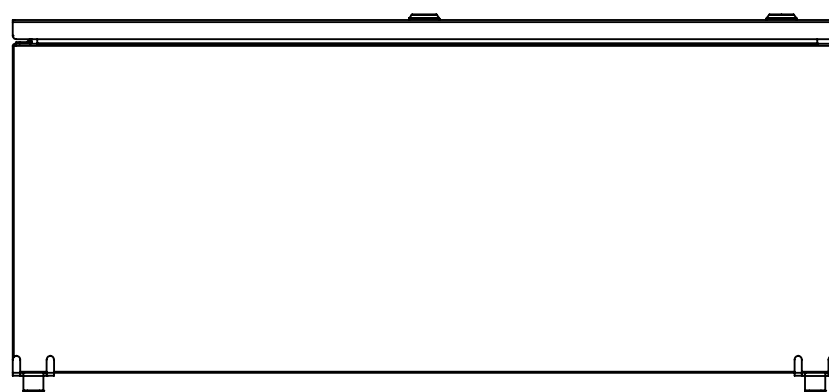
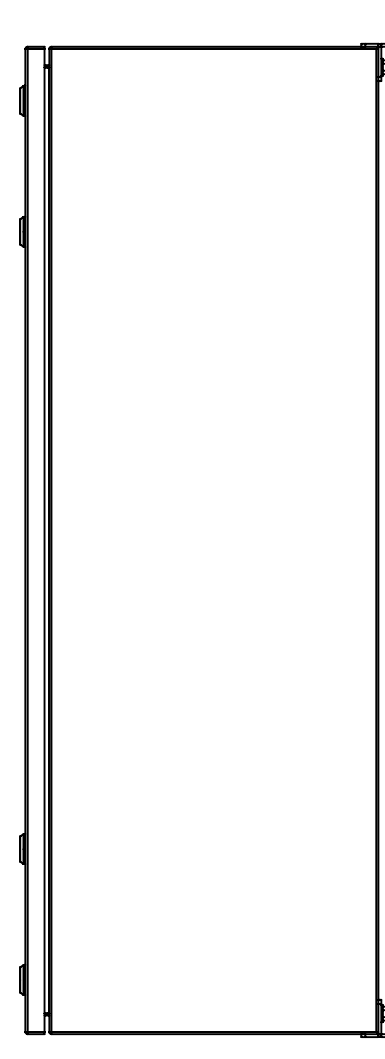
B

A

A



SLOTTED QUARTER
TURN LATCH X4



- NOTES:
 1. BASE MATERIAL: 14 Ga. (.075") 304 SS
 2. COVER MATERIAL: 14 Ga. (.075") 304 SS

INTEGRA ENCLOSURES
 A DIVISION OF MUM INDUSTRIES
 8989 TYLER BLVD. MENTOR, OH
 ENCLOSURES (440)269-8155 FAX (440)269-8166

UNLESS OTHERWISE SPECIFIED:
 DIMENSIONS ARE IN INCHES [MM]
 AND ARE NOMINAL ONLY

DWG. NO.
W363012-4PQ-BT

PROPRIETARY AND CONFIDENTIAL
 THE INFORMATION CONTAINED IN THIS
 DRAWING IS THE SOLE PROPERTY OF
 MUM INDUSTRIES INC. ANY
 REPRODUCTION IN PART OR AS A WHOLE
 WITHOUT THE WRITTEN PERMISSION OF
 MUM INDUSTRIES INC. IS PROHIBITED.

SIZE C	DESCRIPTION: WALL-36X30X12-304- PHN-QTL	REV F
------------------	---	-----------------

DRAWN BY: JMS 05.26.2021

SCALE: 1:7 WEIGHT: SHEET 1 OF 2

4

3

2

1

4

3

2

1

D

D

C

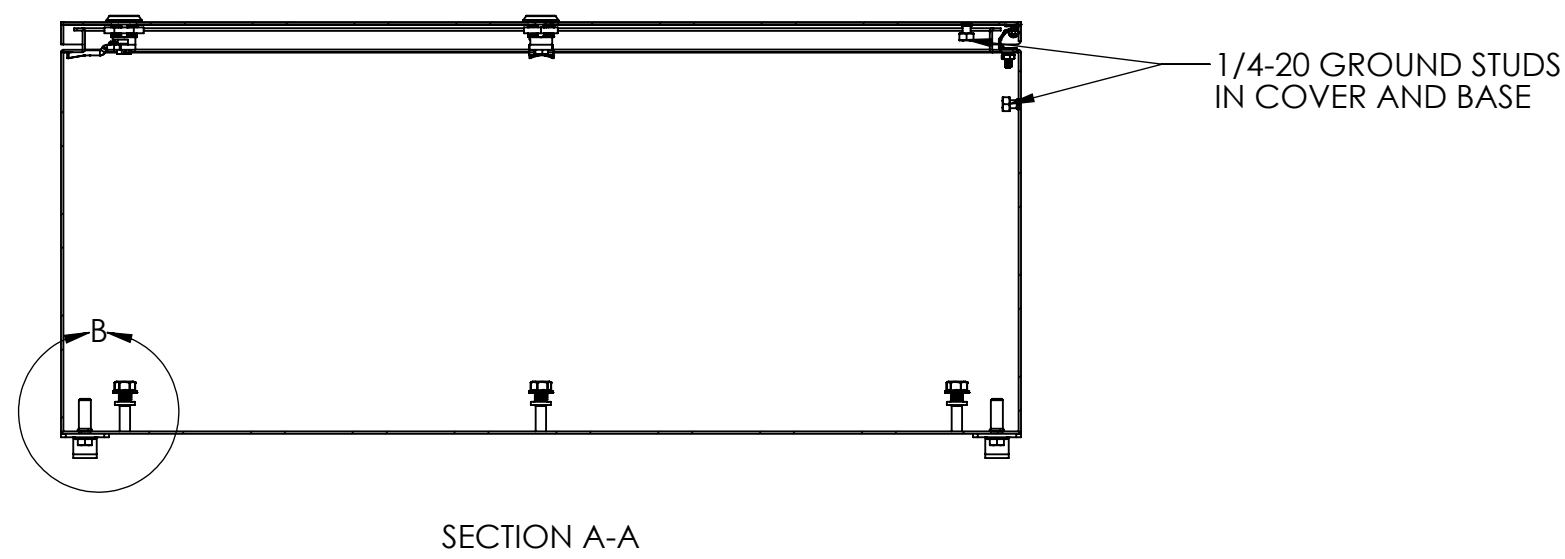
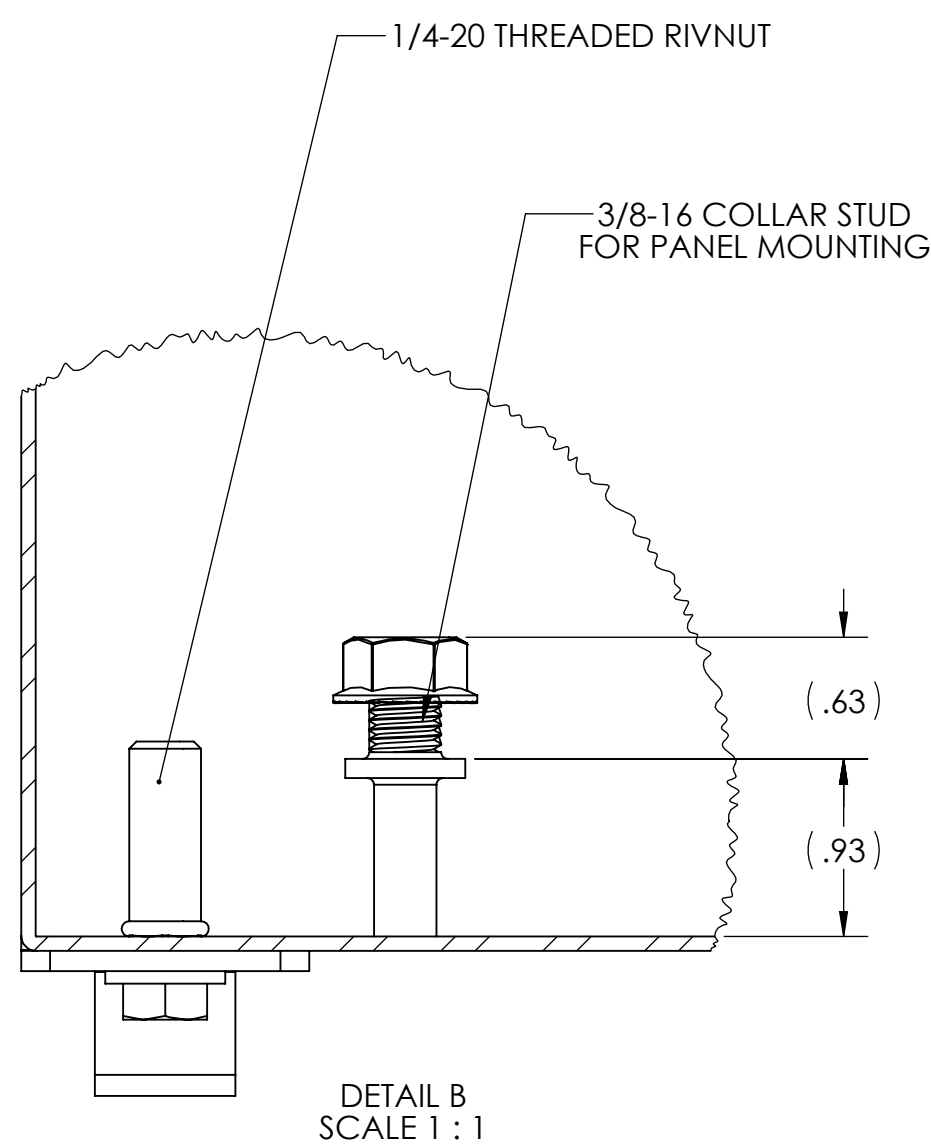
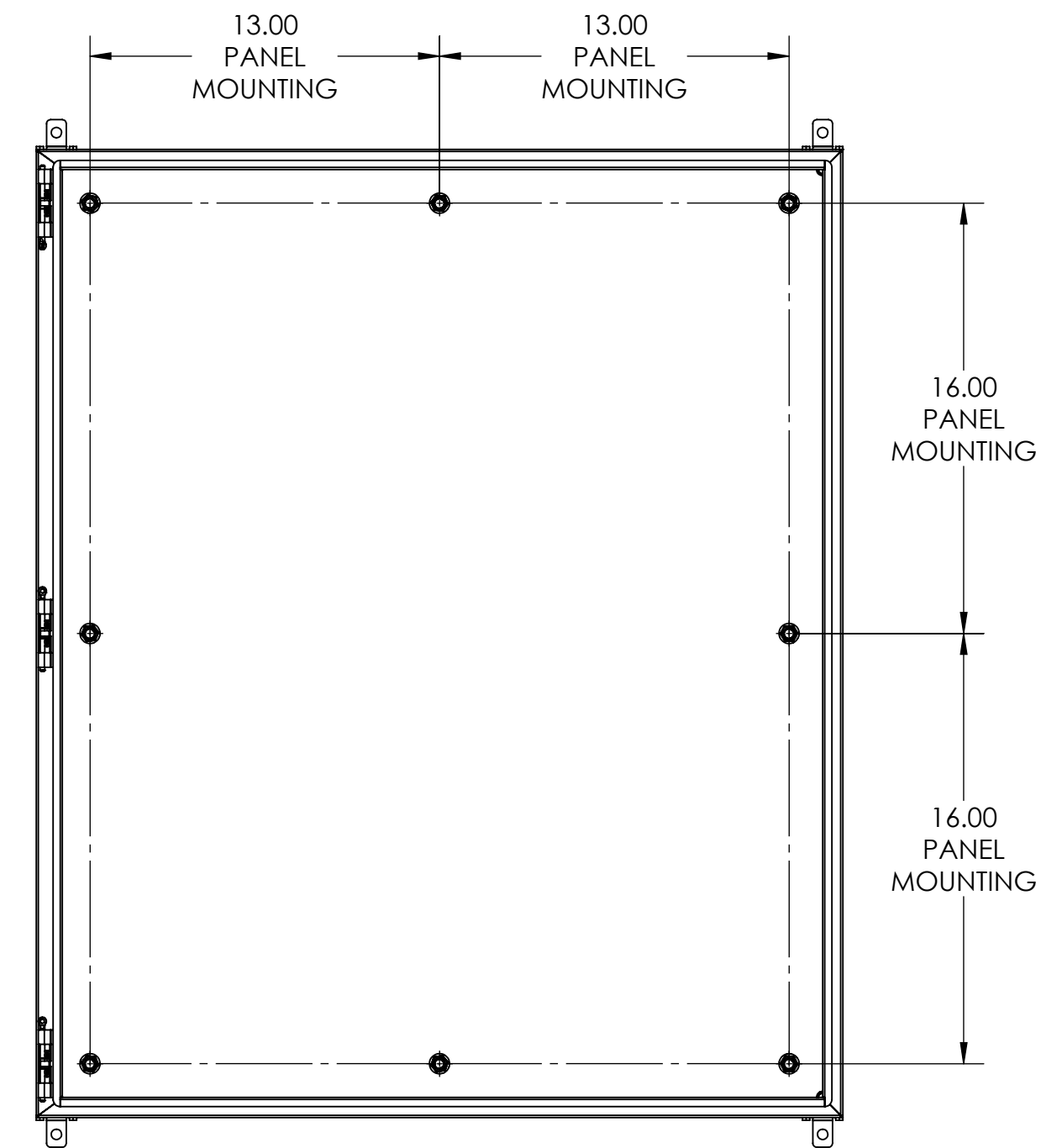
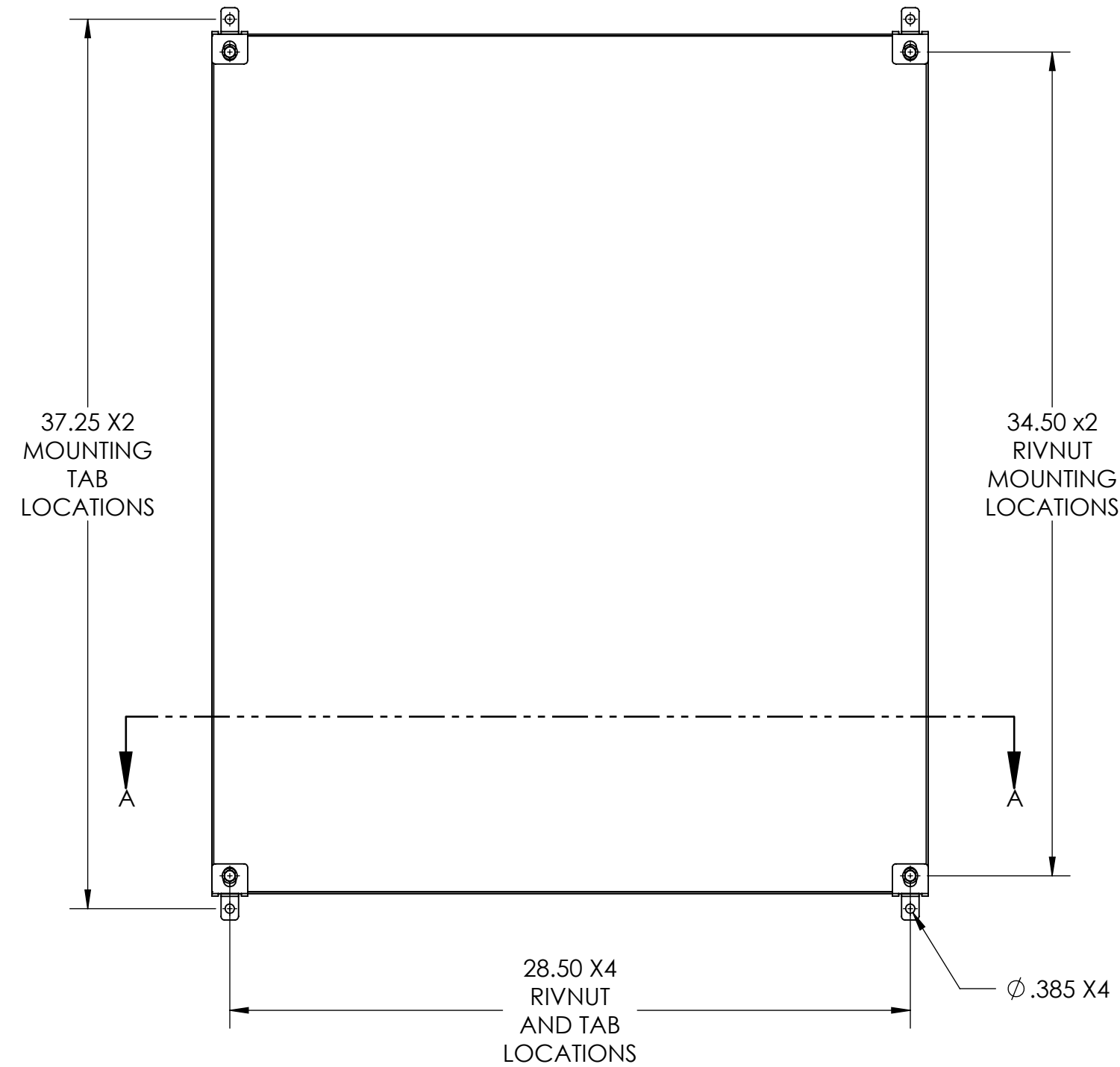
C

B

B

A

A



INTEGRA ENCLOSURES
 A DIVISION OF MUM INDUSTRIES
 8989 TYLER BLVD. MENTOR, OH
 ENCLOSURES (440)269-8155 FAX (440)269-8166

UNLESS OTHERWISE SPECIFIED:
 DIMENSIONS ARE IN INCHES (MM)
 AND ARE NOMINAL ONLY

PROPRIETARY AND CONFIDENTIAL
 THE INFORMATION CONTAINED IN THIS
 DRAWING IS THE SOLE PROPERTY OF
 MUM INDUSTRIES INC. ANY
 REPRODUCTION IN PART OR AS A WHOLE
 WITHOUT THE WRITTEN PERMISSION OF
 MUM INDUSTRIES INC. IS PROHIBITED.

DRAWN BY: JMS 05.26.2021

DWG. NO.
W363012-4PQ-BT

SIZE C	DESCRIPTION: WALL-36X30X12-304- PHN-QTL	REV F
------------------	---	-----------------

SCALE: 1:6 WEIGHT: SHEET 2 OF 2

4

3

2

1