



## WHY INTEGRA?

If you are working on a new design that requires a NEMA 12/4X/6P, UL listed enclosure, here are some reasons you will want to consider us...

- Our aesthetics will provide a quality look for your products, making them stand out from the competition.
- At Integra, we manufacture polycarbonate and stainless steel enclosures designed for use in harsh environments. Our products are built to last.
- Integra offers a full range of modification services, delivering enclosures that are ready to install.
- Available factory-direct, Integra enclosures are shipped on your schedule.



Manufactured, Assembled and Stocked in the USA.



Integra Enclosures manufactures engineered polycarbonate and stainless steel enclosures designed for use in electrical construction, water treatment, car wash, telecommunication, instrumentation, utility, machine building, HVAC, or any other application requiring enclosures which are non-corrosive, non-conductive, easy to install and modify, and competitively priced.

Integra's enclosures are not like anyone else's. Our superior design and high quality materials provide enclosures that look great, seal tight and stand up to tough environments.

Integra also maintains an extensive, on hand inventory to support your delivery.

Call us at 440.269.4966 or visit [www.IntegraEnclosures.com](http://www.IntegraEnclosures.com) to learn more.



# TABLE OF CONTENTS

About Polycarbonate & Stainless Steel.....	3-4
Customizations.....	5-6
Polycarbonate & Fiberglass Comparison.....	7
Product Line Overview.....	8
Premium Series Overview.....	9-10
6x6x2 Premium.....	11-12
6x6x4 Premium.....	13-14
8x6x4 Premium.....	15-16
8x8x4 Premium.....	17-18
10x8x2 Premium.....	19-20
10x8x4 Premium .....	21-22
10x8x6 Premium.....	23-24
12x10x4 Premium .....	25-26
12x10x6 Premium.....	27-28
14x12x6 Premium.....	29-30
16x14x7 Premium.....	31-32
16x18x10 Premium.....	33-34
18x16x8 Premium.....	35-36
18x16x10 Premium.....	37-38
Impact® Series Overview.....	39-40
4x4x3 Impact®.....	41-42
5x5x3 Impact®.....	43-44
6x4x4 Impact®.....	45-46
6x6x3 Impact®.....	47-48
8x6x3 Impact®.....	49-50
9x8x2 Impact®.....	51-52
10x8x4 Impact®.....	53-54
10x8x6 Impact®.....	55-56
12x10x4 Impact®.....	57-58



Genesis Series Overview .....	59-60
20x16x8 Genesis.....	61-62
24x24x10 Genesis.....	63-64
Strongbox Series Overview.....	65-66
Strongbox Standard Enclosures.....	67-68
Strongbox Wall Mount Enclosures.....	69-70
Strongbox Slope Top Enclosures.....	71-72
Impact® Face Plate System.....	73
Swing Panel Kits.....	74
Genesis Back Panels.....	75-76
Windows & Gland Plates.....	77
Cord Grips & Hole Plugs.....	78
Vents & Fan Shroud Kits.....	79-80
Accessories - Premium Series.....	81-85
Accessories - Impact® Series.....	86-90
Accessories - Genesis Series.....	91-92
Accessories - Strongbox Series.....	93
UL/NEMA Type Ratings.....	94
Frequently Asked Questions (FAQs).....	95-98
Chemical Resistance Chart.....	99-100
Terms & Conditions of Sale.....	101



# POLYCARBONATE, THE BETTER TECHNOLOGY

Integra Enclosures pioneered the use of polycarbonate in electrical enclosures and we continue to raise the bar on the market today. Polycarbonate is widely superior compared to other enclosure materials because of its high tensile strength and prolonged durability. It is strong like steel yet cuts like butter, making it easier for users to install and modify enclosures in the field. Because of its material make-up, polycarbonate maintains its durability and will not break down or fade in sunlight.



## THE UNSURPASSED ADVANTAGES OF POLYCARBONATE ENCLOSURES



### UV Protection

Integra polycarbonate enclosures carry an F1 rating for excellent UV protection. Unlike fiberglass enclosures, which break down when exposed to sunlight and moisture, polycarbonate remains strong even in harsh environments.



### Impact Resistance

Polycarbonate enclosures have a dramatically higher tensile strength compared to other materials. Integra's polycarbonate lines have an impact resistance of over 900 in-lbs.



### Ease of Modification

Polycarbonate enclosures are safe and easy to machine, with no harmful dust or splintering to worry about! Integra offers custom, in-house machining on all our polycarbonate enclosures.

## POLYCARBONATE APPLICATIONS

Polycarbonate enclosures are a superior choice for a wide range of outdoor applications and environments:

- **Remote Monitoring** - Polycarbonate allows for radio waves to pass more freely without sacrificing protection.
- **Alternative Energy** - From solar to wind, keep systems safe from the sun, wind and water.
- **Water Treatment** - Water/wastewater treatment and sprinkler systems are well-protected in our 4X and 6P rated enclosures.
- **Utility & Electrical (Smart Grid)** - Utility applications that are housed outdoor are ideally enclosed in polycarbonate.
- **Marine & Marina** - Whether on-ship or at the dock, guard against corrosive saltwater and sun.



# STAINLESS STEEL, A NEW EVOLUTION

Integra is changing the way you buy stainless steel enclosures with our Strongbox line. Built from quality 304 stainless steel, Strongbox enclosures offer a durable, attractive option for multiple indoor and outdoor applications. Our stainless steel enclosures are NEMA 4X rated and designed to protect against corrosion, chemicals, and ingress water. Choose one of our off-the-shelf products or design a custom enclosure to fit your exact specifications.



## THE UNMATCHED ADVANTAGES OF STAINLESS STEEL ENCLOSURES



### Chameleon Effect

The natural reflectivity and smooth brushed finish of our stainless steel provides an unobtrusive quality that allows it to blend in to the environment.



### Corrosion Resistant

Our weather resistant stainless steel enclosures are impervious to corrosion and rust deterioration. No painting or continuous maintenance required!



### Heat Dissipation

Stainless steel has the highest reflective value to help minimize the enclosure's internal temperature and protect electronics from harmful effects of heat.

## STAINLESS STEEL APPLICATIONS

Stainless steel enclosures offer great water-tight protection for multiple indoor and outdoor applications:

- **Food Industry** - Stand up to the extreme environments for food and beverage preparation.
- **Pharmaceutical** - We meet the necessary UL and NEMA 4X requirements in compliance with federal regulations for pharmaceutical manufacturing.
- **Outdoor** - The unmatched reflectivity and corrosion resistance of stainless steel makes it a great option for outdoor applications.
- **OEM / Manufacturing** - Our Strongbox line offers complete customization of dimensions, machining and configuration to meet your needs.





# CUSTOMIZATIONS

OUR PRODUCT, THE WAY YOU LIKE IT

## MACHINING & MODIFICATIONS

### POLYCARBONATE

- Drilled Hole Patterns
- CNC Machine Cutouts
- Mounting & Latching Options
- Various Accessories Available



### STAINLESS STEEL

- Laser Cut Machining
- Mounting Options
- Latching Options
- Hinge Options
- Custom Back and Swing Panels
- Various Accessories Available



## COLOR & POWDER COAT

### MOLDED COLOR POLYCARBONATE

- Match your company's color and logo
- Blend into the environment
- UL Rated\*
- 100-piece minimum

\*Contact factory for details



### POWDER COATED STAINLESS STEEL

- Range of RAL colors to choose from
- Additional layer of protection
- Blend into the environment
- UV resistant



# CUSTOMIZATIONS

AVAILABLE ON ANY SIZE ENCLOSURE

## PRINTING & ENGRAVING

- Full-color, High-Quality UV Cured Ink available in 16.7 Million Colors
- Weatherproof, UV, Chemical, and Scratch Resistant options for any application

### POLYCARBONATE

- **Laser** etches into plastic creating the most durable image. Various shades can be accomplished but no color is applied.
- **UV Printing** uses a “liquid plastic” that acts like ink to create a raised image from an array of unlimited colors. This highly durable print is UV cured and resistant.
- **Overlays** are the easiest to manipulate and the most cost-effective color option. They can be opaque or transparent and applied to the inside or outside of the cover.
- **Silk-Screening** prints a high-quality image by layering colors on top of each other. This longer process is worth the price as it is considered our best-looking print.

### STAINLESS STEEL

- **Engraving** uses a laser to inscribe into the metal. Images can be solid, outlined, or have an alternate fill in gray scale shades.
- **Silk-Screening** creates sharp, full color images with optional UV protective coating for outdoor use.



For a custom printing quote, please send the following to [customerservice@integraenclosures.com](mailto:customerservice@integraenclosures.com)

- High quality .AI art file of the exact graphic to be printed
- Drawing or sketch showing location and size of art





# POLYCARBONATE & FIBERGLASS, WHICH IS BETTER?

POLY      FIBERGLASS

**Impact Resistance**



The average fiberglass enclosure tensile strength is approximately 220 in-lbs. Polycarbonate has a tensile strength of 900 in-lbs. **Polycarbonate has over 4 times the impact resistance of fiberglass.**

**Weight**



Whether it is saving on shipping cost or the ability for one person to carry and install a product in an enclosure, weight is increasingly important. **Polycarbonate is up to 40% lighter than fiberglass.**

**UV Resistance**



Fiberglass UV protection is offered as a shield or other coating that attempts to protect the fibers from the inevitable deterioration or even failure of the exterior coating. **With polycarbonate, the UV inhibitor is in the formulation and is uniformly integral to the enclosure.**

**Ease of Modification**



Fiberglass is tough on tools and often chips while machining, leaving sharp, unsightly edges. Also, fiberglass, upon drilling or cutting gives off a very fine dust that is difficult to clean up and is a skin and lung irritant. **Integra polycarbonate enclosures are easy to modify, do not give off dust and leave a clean, attractive surface with no sharp edges.**

**Eco-friendly**



Whether during the manufacturing process or at the end of the enclosure's life, fiberglass material cannot be reused and is destined for landfills. **Polycarbonate in the manufacturing process or at the end of its usable life is recyclable.**

**Damage from Shipping/Handling**



Fiberglass is a very brittle material, to the point that it risks damage anytime it is dropped or mishandled in any way. **Because of its durability, polycarbonate is rarely damaged from shipping or handling.**



# STANDARD PRODUCT LINES

PREMIUM LINE



**SIZES:** 6x6x2 through 18x16x10

**LATCHES:** stainless steel (LL) or non-metallic (NL) locking latch

**HINGES:** hinge or screw cover

**COVER:** opaque and clear

UL/C-UL-50 listed  
UL/cUL NEMA Type 1, 2, 3, 3R, 3S, 4, 4X, 5, 12, 13  
“S” and “H-6P” series are NEMA 6/6P marine rated

- Unique T-Rail mounting system to completely adjust panels and face plates
- Includes enclosure foot mount or flange mount system
- Brass inserts for securing mounting feet or flange, screw cover and optional back panel

PREMIUM LINE

IMPACT® LINE



**SIZES:** 4x4x3 through 12x10x4

**LATCHES:** integrated, stainless steel or non-metallic

**HINGES:** standard or low profile

**COVER:** opaque and clear

UL/C-UL-50 listed  
UL/cUL NEMA Type 1, 2, 3, 3R, 3S, 4, 4X, 5, 6/6P, 12, 13 rated (locking latch not 6/6P rated)

- Integrated mounting flanges
- Advanced interior mounting system for circuit boards, face plates, swing panels, etc.
- Multiple molded-in bosses to secure optional back panel

IMPACT® LINE

GENESIS LINE



**SIZES:** 20x16x8 and 24x24x10

**LATCHES:** three-point, quarter turn or non-metallic

**HINGES:** continuous piano hinge

**COVER:** opaque and clear

UL/C-UL-50 listed  
UL/cUL NEMA Type 1, 2, 3, 3R, 3S, 4, 4X, 5, 6/6P, 12, 13 rated

- The MULTI-MAX Rail System creates three-dimensional mounting space
- MULTI-MAX frame ring provides un-matched strength and rigidity
- Optional swing panel includes full piano hinge to additional strength.

GENESIS LINE

STRONGBOX LINE



**SIZES:** standard and custom sizes

**LATCHES:** three-point, quarter turn or stainless steel locking latch

**HINGES:** removable Pinge™, continuous Piano hinge, or Lift-Off hinge

UL 508A listed  
UL/cUL NEMA Type 1, 2, 3, 3R, 3S, 4, 4X rated

- Standard stainless steel enclosures feature a 1/4 turn latch, bolted tabs and Removable Pin Hinge
- Panel stand-offs for mounting optional subpanels
- Polyurethane foam-in-place gasket creates water-tight seal with collar flange around door opening

STRONGBOX LINE





## PREMIUM SERIES OVERVIEW

### ■ NEMA 4X and 6P Protection

All Integra enclosures carry a minimum NEMA 4X protection rating against water, dust and dirt. For even greater water-tight protection, our Premium screw cover enclosures carry a NEMA 6P/IP68 rating which allows for temporary submersion up to 6 feet for 24 hours.

### ■ Wide Operating Temperature Range

Polycarbonate is stable and holds its tensile strength better than other non-metallic materials over a temperature range from -40 deg F to 265 deg F.

### ■ Crystal Clear Covers

Clear covers are a superior alternative to mechanically affixed window kits.

### ■ EZ Hinge

Integra's standard hinges allow easy door removal or replacement while permitting a full 225-degree door swing.

### ■ Unique T-Rail Panel Suspension System

The optional brackets that attach to the T-Rails allow our customers to mount an individual mounting panel at any height in the enclosure or to even have multiple back panels at different heights.

### ■ Molded in Mounting Bosses

All of the Premium line enclosures have extra mounting bosses molded into the rear wall to permit #10 self-tapping screws to secure din rail, circuit board, or any other device or component into the enclosure.

### ■ Modifications

Full modifications services are available at Integra, including machining holes for displays, cable connectors, multi-pin connectors, antennae, etc. Call us to discuss your unique requirements.

### ■ Customization

Custom colors, custom back panels, silk screening, sub assembly of your product, or any other tailoring of our product to your need is our job. (Minimums may apply)

### ■ Packaging

Standard packaging is one unit per carton, packed to ensure safe delivery to your location. Or, if you have any special requirements for shipping, call us and we can work to meet your requirements.



# PREMIUM SERIES



**CUSTOM  
MACHINING  
AVAILABLE**

**BRASS INSERTS  
FOR SCREW  
CLOSURE**

**FULL COLOR  
PRINTING  
AVAILABLE**

**TAGGABLE/  
LOCKABLE  
LATCHES**

**MOLDED  
MOUNTING  
BOSSES**

**T-RAIL PANEL  
SUSPENSION  
SYSTEM**





Mounting Feet

Mounting Flanges



## Features & Benefits

- **Quality material** – bases, opaque covers and clear covers are all made of high-impact, UV resistant polycarbonate.
- **Flexible interior mounting** – features the unique and patented Integra adjustable depth “T-Rail” back panel mounting system (back panel and adjustable brackets sold separately).
- **Wide range** of sizes, configurations and accessories provides capabilities for every application.
- **Brass inserts** – in corner bosses for easy component installation.
- **Standard color** – light gray with a gloss finish.
- **UL-50 / c-UL Listed** (files # E229365, # E207562)

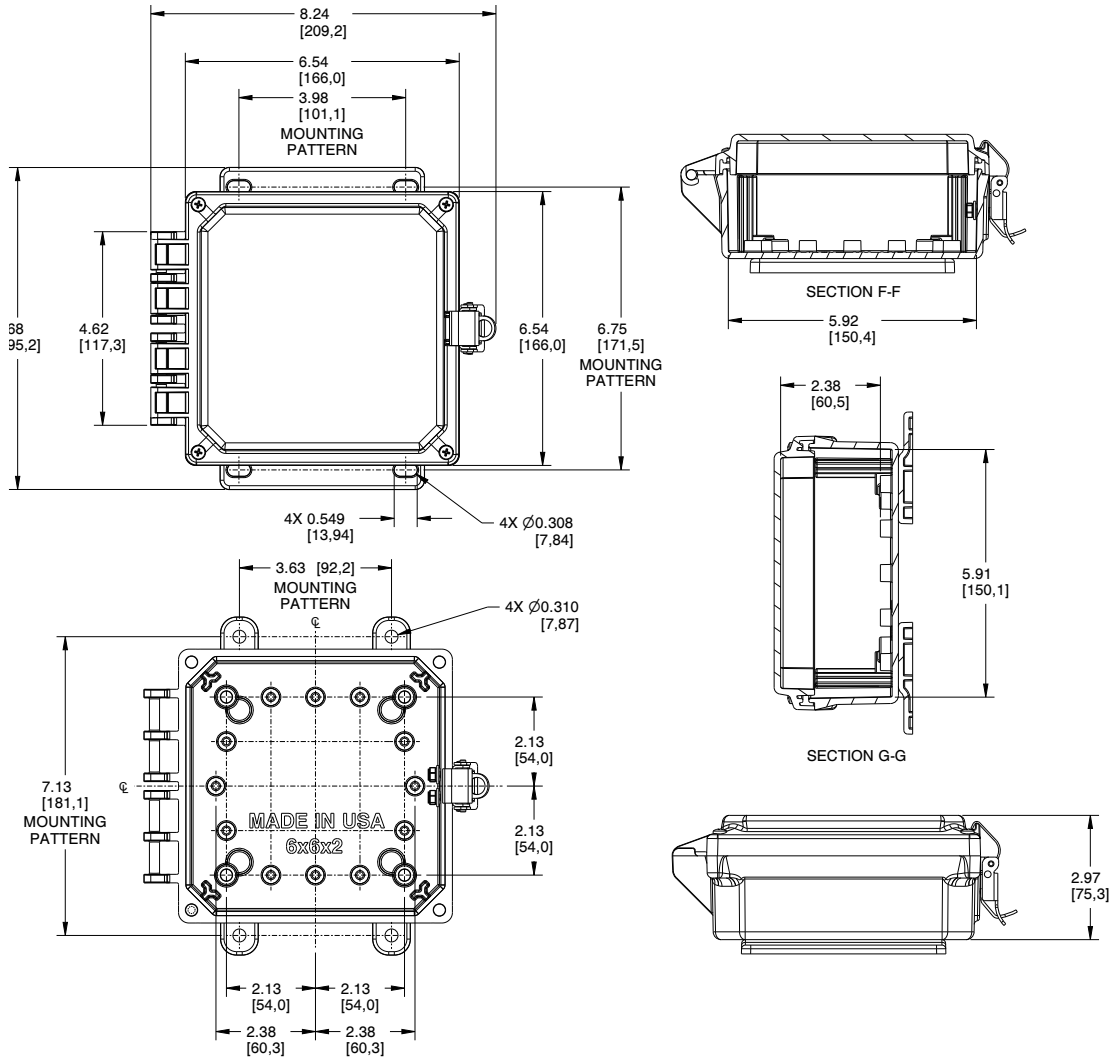
Mechanical & Thermal	Test Spec.	Unit	Rating
Instrumented Dart Impact @ 73° F	-	in-lbs	565
Falling Ball Impact @ 73° F	UL-746	in-lbs	900
Deflection Temperature @ 264 psi	ASTM D648	Deg. F	270
Modulus of Elasticity	ASTM D790	ksi	340
Temperature Range	-	Deg. F	-40 to 265
Flame Rating - UL	UL 94	-	5VA
Outdoor UV Exposure	UL	-	f1

Part Number	4X IP66	6P IP68	Hinged Cover	Screw Cover	Opaque Cover	Clear Cover	Mounting Feet	Mounting Flange	Stainless Steel Locking Latch	Non-Metallic Locking Latch
H6062S	✓	✓		✓	✓		✓			
H6062SC	✓	✓		✓		✓	✓			
H6062SF	✓	✓		✓	✓			✓		
H6062SCF	✓	✓		✓		✓		✓		
H6062H	✓		✓	✓	✓		✓			
H6062HC	✓		✓	✓		✓	✓			
H6062HF	✓		✓	✓	✓			✓		
H6062HCF	✓		✓	✓		✓		✓		
★ H6062HLL	✓		✓		✓		✓		✓	
★ H6062HCLL	✓		✓			✓	✓		✓	
H6062HFLL	✓		✓		✓			✓	✓	
H6062HCFLL	✓		✓			✓		✓	✓	
H6062HNL	✓		✓		✓		✓			✓
H6062HCNL	✓		✓			✓	✓			✓
H6062HFNL	✓		✓		✓			✓		✓
H6062HCFNL	✓		✓			✓		✓		✓
H6062H-6P	✓	✓	✓	✓	✓		✓			
H6062HC-6P	✓	✓	✓	✓		✓	✓			
H6062HF-6P	✓	✓	✓	✓	✓			✓		
H6062HCF-6P	✓	✓	✓	✓		✓		✓		

★ **POPULAR CONFIGURATIONS:** Most popular configurations are available for *QuickShip*. Please send requests to [customerservice@integraenclosures.com](mailto:customerservice@integraenclosures.com) to take advantage of our *QuickShip* option.



# 6X6X2 PREMIUM LINE



## TORQUE SPECIFICATIONS:

**Mounting Feet** - 1/4"-20 x 0.5" SS countersunk Phillips drive screws (torque limit = 32 in lbs)









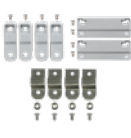
**Covers/Doors** - #10-32 x 0.75" SS pan Phillips drive screws (torque limit = 10 in lbs)

**Panels** - #10-32 x 0.375" pan Phillips drive screws (torque limit = 10-15 in lbs)

[Bracketed dimensions in mm]

Register online to download detailed drawing files at [www.integraenclosures.com](http://www.integraenclosures.com)

## Accessories for 6x6x2 (For complete accessories, see pages 81-85)

 <p><b>Back Panels</b>  <b>ABP66</b> - Aluminum panel  <b>SBP66</b> - Steel panel  <b>PVCBP66</b> - PVC panel</p>	 <p><b>Aluminum Swing Panel Kits</b>  <b>ABP-66-USOPK</b> - Complete kit  <b>ABP-66USP</b> - Panel only  <b>USOPK</b> - Hardware only</p>	 <p><b>Back Panel Adjustment Kit</b>  <b>BPAKG</b> - Gray, Set Screw  <b>BPAKB</b> - Black, Set Screw  <b>UBPAKG</b> - Gray, Thumb Screw  <b>UBPAKB</b> - Black Thumb Screw</p>
 <p><b>Air Vents</b>  <b>VENT 3</b> - Aluminum louvered  <b>VENT 2</b> - Outdoor labyrinth</p>	 <p><b>Steel Swing Panel Kits</b>  <b>SBP-66-USOPK</b> - Complete kit  <b>SBP-66USP</b> - Panel only  <b>USOPK</b> - Hardware only</p>	 <p><b>Cord Grips</b>  IP68/NEMA 4X/6P rated  See page 78 for more details and part numbers.</p>
 <p><b>Din Rail</b>  <b>DIN 6</b> - 2 rails, 4 screws</p>	 <p><b>Pole Mounting Kit</b>  <b>PMKG-26</b> - 2" pole  <b>PMKG-36</b> - 3" pole  <b>PMKG-46</b> - 4" pole  <b>PMKG-126</b> - 12" pole</p>	 <p><b>Mounting Feet &amp; Flange Kits</b>  <b>MFKG</b> - Premium line feet  <b>MFKSS</b> - Stainless steel feet  <b>MFLK6</b> - 6" Flange kit</p>



# 6X6X4 PREMIUM SERIES



Mounting Feet



Mounting Flanges



## Features & Benefits

- **Quality material** – bases, opaque covers and clear covers are all made of high-impact, UV resistant polycarbonate.
- **Flexible interior mounting** – features the unique and patented Integra adjustable depth “T-Rail” back panel mounting system (back panel and adjustable brackets sold separately).
- **Wide range** of sizes, configurations and accessories provides capabilities for every application.
- **Brass inserts** – in corner bosses for easy component installation.
- **Standard color** – light gray with a gloss finish.
- **UL-50 / c-UL Listed** (files # E229365, # E207562)

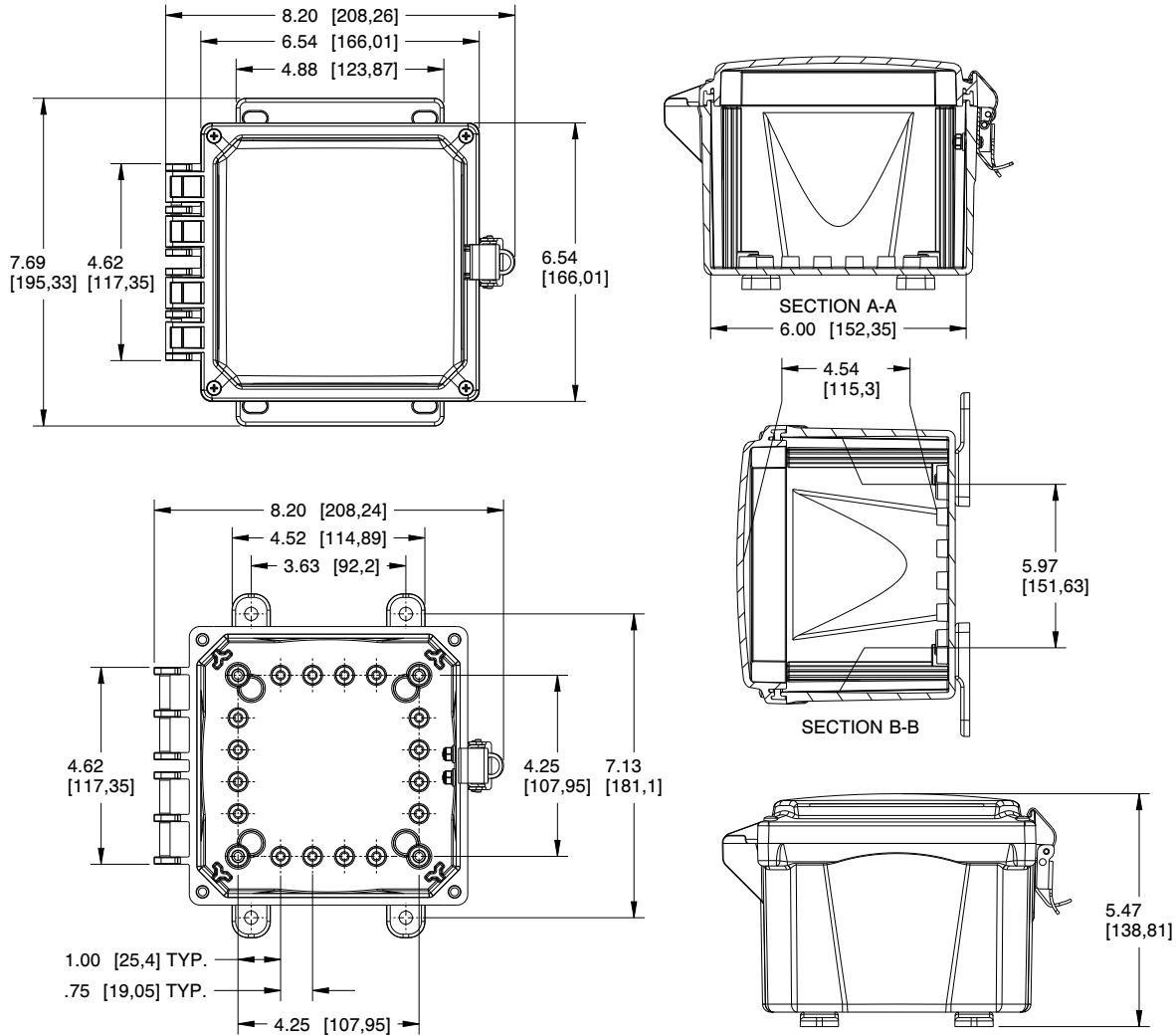
Mechanical & Thermal	Test Spec.	Unit	Rating
Instrumented Dart Impact @ 73° F	-	in-lbs	565
Falling Ball Impact @ 73° F	UL-746	in-lbs	900
Deflection Temperature @ 264 psi	ASTM D648	Deg. F	270
Modulus of Elasticity	ASTM D790	ksi	340
Temperature Range	-	Deg. F	-40 to 265
Flame Rating - UL	UL 94	-	5VA
Outdoor UV Exposure	UL	-	f1

Part Number	4X IP66	6P IP68	Hinged Cover	Screw Cover	Opaque Cover	Clear Cover	Mounting Feet	Mounting Flange	Stainless Steel Locking Latch	Non-Metallic Locking Latch
H6064S	✓	✓		✓	✓		✓			
H6064SC	✓	✓		✓		✓	✓			
H6064SF	✓	✓		✓	✓			✓		
H6064SCF	✓	✓		✓		✓		✓		
H6064H	✓		✓	✓	✓		✓			
H6064HC	✓		✓	✓		✓	✓			
H6064HF	✓		✓	✓	✓			✓		
H6064HCF	✓		✓	✓		✓		✓		
★ H6064HLL	✓		✓		✓		✓		✓	
★ H6064HCLL	✓		✓			✓	✓		✓	
H6064HFLL	✓		✓		✓			✓	✓	
H6064HCFLL	✓		✓			✓		✓	✓	
H6064HNL	✓		✓		✓		✓			✓
H6064HCNL	✓		✓			✓	✓			✓
H6064HFNL	✓		✓		✓			✓		✓
H6064HCFNL	✓		✓			✓		✓		✓
H6064H-6P	✓	✓	✓	✓	✓		✓			
H6064HC-6P	✓	✓	✓	✓		✓	✓			
H6064HF-6P	✓	✓	✓	✓	✓			✓		
H6064HCF-6P	✓	✓	✓	✓		✓		✓		

★ **POPULAR CONFIGURATIONS:** Most popular configurations are available for *QuickShip*. Please send requests to [customerservice@integraenclosures.com](mailto:customerservice@integraenclosures.com) to take advantage of our *QuickShip* option.



# 6X6X4 PREMIUM SERIES









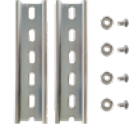

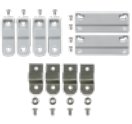
## TORQUE SPECIFICATIONS:

- Mounting Feet** - 1/4"-20 x 0.5" SS countersunk Phillips drive screws (torque limit = 32 in lbs)
- Covers/Doors** - #10-32 x 0.75" SS pan Phillips drive screws (torque limit = 10 in lbs)
- Panels** - #10-32 x 0.375" pan Phillips drive screws (torque limit = 10-15 in lbs)

[Bracketed dimensions in mm]

Register online to download detailed drawing files at [www.integraenclosures.com](http://www.integraenclosures.com)

## Accessories for 6x6x4 (For complete accessories, see pages 81-85)

 <p><b>Back Panels</b>  <b>ABP66</b> - Aluminum panel  <b>SBP66</b> - Steel panel  <b>PVCBP66</b> - PVC panel</p>	 <p><b>Aluminum Swing Panel Kits</b>  <b>ABP-66-USOPK</b> - Complete kit  <b>ABP-66USP</b> - Panel only  <b>USOPK</b> - Hardware only</p>	 <p><b>Back Panel Adjustment Kit</b>  <b>BPAKG</b> - Gray, Set Screw  <b>BPAKB</b> - Black, Set Screw  <b>UBPAKG</b> - Gray, Thumb Screw  <b>UBPAKB</b> - Black Thumb Screw</p>
 <p><b>Air Vents</b>  <b>VENT 3</b> - Aluminum louvered  <b>VENT 2</b> - Outdoor labyrinth</p>	 <p><b>Steel Swing Panel Kits</b>  <b>SBP-66-USOPK</b> - Complete kit  <b>SBP-66USP</b> - Panel only  <b>USOPK</b> - Hardware only</p>	 <p><b>Cord Grips</b>  IP68/NEMA 4X/6P rated  See page 78 for more details and part numbers.</p>
 <p><b>Din Rail</b>  <b>DIN 6</b> - 2 rails, 4 screws</p>	 <p><b>Pole Mounting Kit</b>  <b>PMKG-26</b> - 2" pole  <b>PMKG-36</b> - 3" pole  <b>PMKG-46</b> - 4" pole  <b>PMKG-126</b> - 12" pole</p>	 <p><b>Mounting Feet &amp; Flange Kits</b>  <b>MFKG</b> - Premium line feet  <b>MFKSS</b> - Stainless steel feet  <b>MFLK6</b> - 6" Flange kit</p>

# 8X6X4 PREMIUM SERIES



Mounting Feet

Mounting Flanges



## Features & Benefits

- **Quality material** – bases, opaque covers and clear covers are all made of high-impact, UV resistant polycarbonate.
- **Flexible interior mounting** – features the unique and patented Integra adjustable depth “T-Rail” back panel mounting system (back panel and adjustable brackets sold separately).
- **Wide range** of sizes, configurations and accessories provides capabilities for every application.
- **Brass inserts** – in corner bosses for easy component installation.
- **Standard color** – light gray with a gloss finish.
- **UL-50 / c-UL Listed** (files # E229365, # E207562)

Mechanical & Thermal	Test Spec.	Unit	Rating
Instrumented Dart Impact @ 73° F	-	in-lbs	565
Falling Ball Impact @ 73° F	UL-746	in-lbs	900
Deflection Temperature @ 264 psi	ASTM D648	Deg. F	270
Modulus of Elasticity	ASTM D790	ksi	340
Temperature Range	-	Deg. F	-40 to 265
Flame Rating - UL	UL 94	-	5VA
Outdoor UV Exposure	UL	-	f1

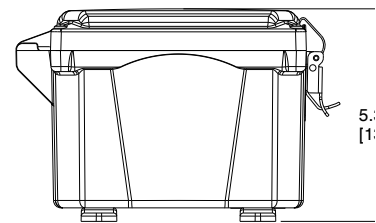
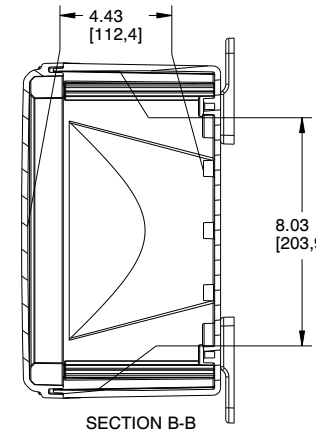
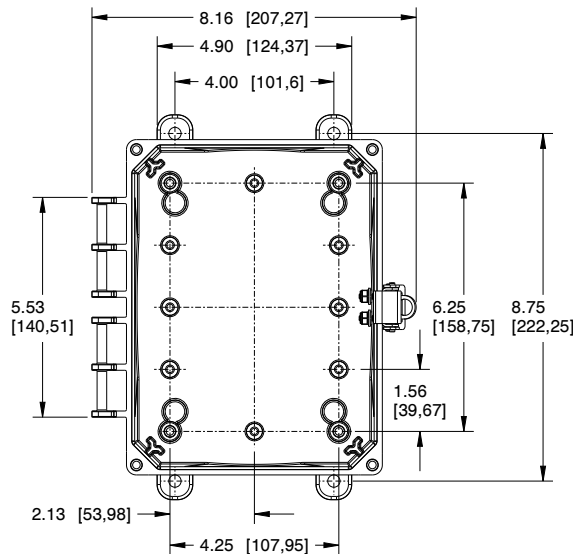
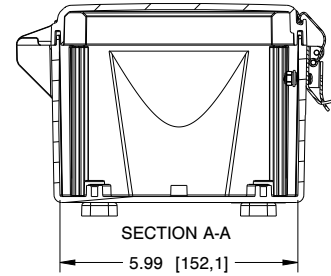
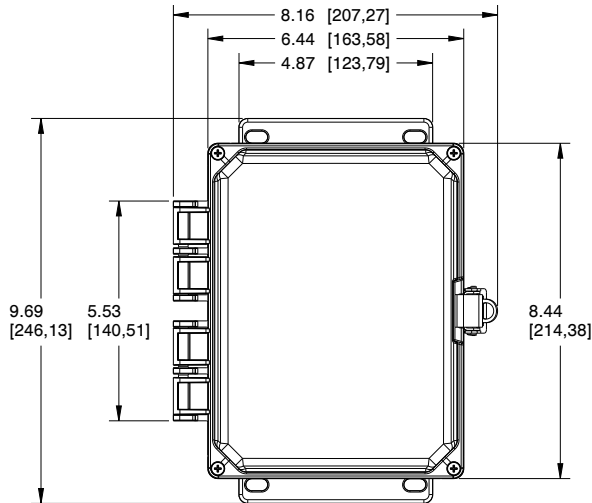
Part Number	4X IP66	6P IP68	Hinged Cover	Screw Cover	Opaque Cover	Clear Cover	Mounting Feet	Mounting Flange	Stainless Steel Locking Latch	Non-Metallic Locking Latch
H8064S	✓	✓		✓	✓		✓			
H8064SC	✓	✓		✓		✓	✓			
H8064SF	✓	✓		✓	✓			✓		
H8064SCF	✓	✓		✓		✓		✓		
H8064H	✓		✓	✓	✓		✓			
H8064HC	✓		✓	✓		✓	✓			
H8064HF	✓		✓	✓	✓			✓		
H8064HCF	✓		✓	✓		✓		✓		
★ H8064HLL	✓		✓		✓		✓		✓	
★ H8064HCLL	✓		✓			✓	✓		✓	
H8064HFLL	✓		✓		✓			✓	✓	
H8064HCFLL	✓		✓			✓		✓	✓	
H8064HNL	✓		✓		✓		✓			✓
H8064HCNL	✓		✓			✓	✓			✓
H8064HFNL	✓		✓		✓			✓		✓
H8064HCFNL	✓		✓			✓		✓		✓
H8064H-6P	✓	✓	✓	✓	✓		✓			
H8064HC-6P	✓	✓	✓	✓		✓	✓			
H8064HF-6P	✓	✓	✓	✓	✓			✓		
H8064HCF-6P	✓	✓	✓	✓		✓		✓		

★ **POPULAR CONFIGURATIONS:** Most popular configurations are available for *QuickShip*. Please send requests to [customerservice@integraenclosures.com](mailto:customerservice@integraenclosures.com) to take advantage of our *QuickShip* option.





# 8X6X4 PREMIUM SERIES



**TORQUE SPECIFICATIONS:**

- Mounting Feet** - 1/4"-20 x 0.5" SS countersunk Phillips drive screws (torque limit = 32 in lbs)
- Covers/Doors** - #10-32 x 0.75" SS pan Phillips drive screws (torque limit = 10 in lbs)
- Panels** - #10-32 x 0.375" pan Phillips drive screws (torque limit = 10-15 in lbs)

[Bracketed dimensions in mm]

Register online to download detailed drawing files at [www.integraenclosures.com](http://www.integraenclosures.com)

## Accessories for 8x6x4 (For complete accessories, see pages 81-85)



**Back Panels**

- ABP86** - Aluminum panel
- SBP86** - Steel panel
- PVCBP86** - PVC panel



**Aluminum Swing Panel Kits**

- ABP-86-USOPK** - Complete kit
- ABP-86USP** - Panel only
- USOPK** - Hardware only



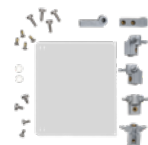
**Back Panel Adjustment Kit**

- BPAKG** - Gray, Set Screw
- BPAKB** - Black, Set Screw
- UBPAKG** - Gray, Thumb Screw
- UBPAKB** - Black Thumb Screw



**Air Vents**

- VENT 3** - Aluminum louvered
- VENT 2** - Outdoor labyrinth



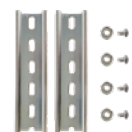
**Steel Swing Panel Kits**

- SBP-86-USOPK** - Complete kit
- SBP-86USP** - Panel only
- USOPK** - Hardware only



**Cord Grips**

- IP68/NEMA 4X/6P** rated
- See page 78 for more details and part numbers.



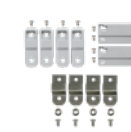
**Din Rail**

- DIN 6** - 2 rails, 4 screws



**Pole Mounting Kit**

- PMKG-26** - 2" pole
- PMKG-36** - 3" pole
- PMKG-46** - 4" pole
- PMKG-126** - 12" pole



**Mounting Feet & Flange Kits**

- MFKG** - Premium line feet
- MFKSS** - Stainless steel feet
- MFLK6** - 6" Flange kit

# 8X8X4 PREMIUM SERIES



Mounting Feet



Mounting Flanges



## Features & Benefits

- **Quality material** – bases, opaque covers and clear covers are all made of high-impact, UV resistant polycarbonate.
- **Flexible interior mounting** – features the unique and patented Integra adjustable depth “T-Rail” back panel mounting system (back panel and adjustable brackets sold separately).
- **Wide range** of sizes, configurations and accessories provides capabilities for every application.
- **Brass inserts** – in corner bosses for easy component installation.
- **Standard color** – light gray with a gloss finish.
- **UL-50 / c-UL Listed** (files # E229365, # E207562)

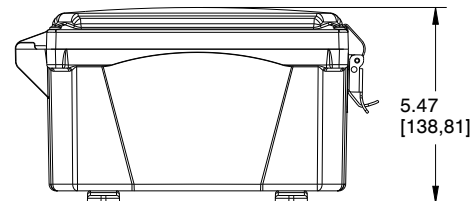
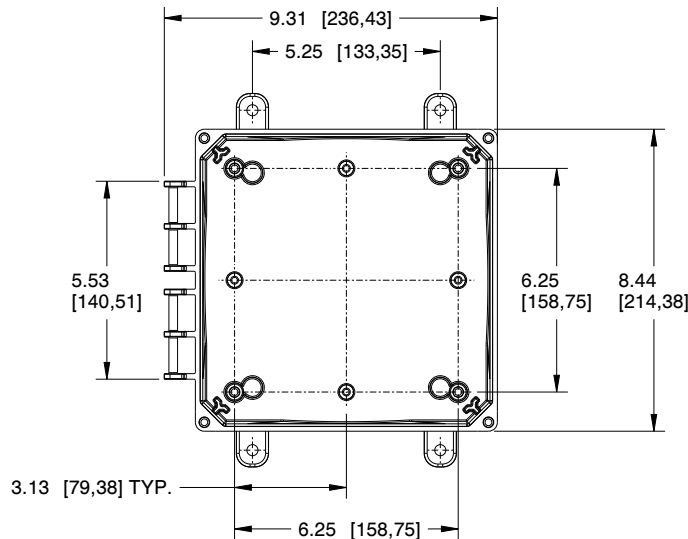
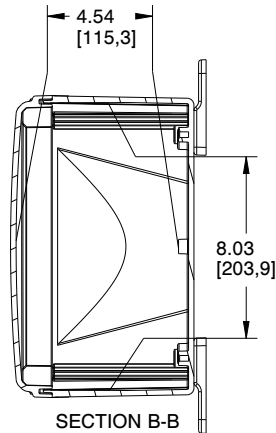
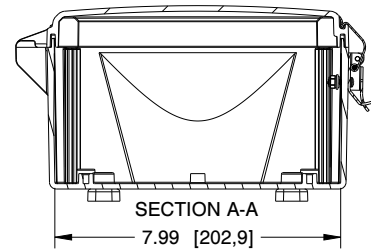
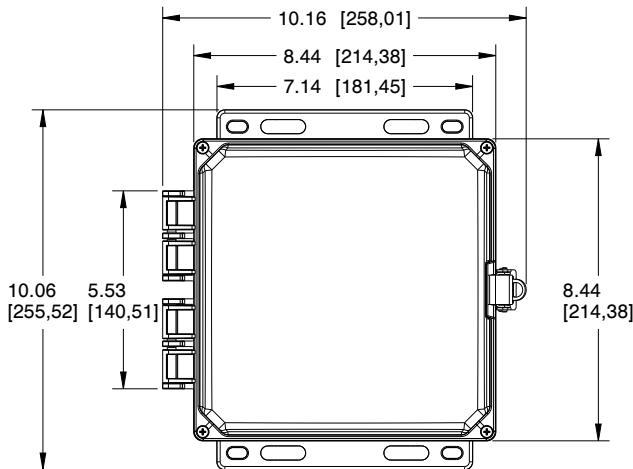
Mechanical & Thermal	Test Spec.	Unit	Rating
Instrumented Dart Impact @ 73° F	-	in-lbs	565
Falling Ball Impact @ 73° F	UL-746	in-lbs	900
Deflection Temperature @ 264 psi	ASTM D648	Deg. F	270
Modulus of Elasticity	ASTM D790	ksi	340
Temperature Range	-	Deg. F	-40 to 265
Flame Rating - UL	UL 94	-	5VA
Outdoor UV Exposure	UL	-	f1

Part Number	4X IP66	6P IP68	Hinged Cover	Screw Cover	Opaque Cover	Clear Cover	Mounting Feet	Mounting Flange	Stainless Steel Locking Latch	Non-Metallic Locking Latch
H8084S	✓	✓		✓	✓		✓			
H8084SC	✓	✓		✓		✓	✓			
H8084SF	✓	✓		✓	✓			✓		
H8084SCF	✓	✓		✓		✓		✓		
H8084H	✓		✓	✓	✓		✓			
H8084HC	✓		✓	✓		✓	✓			
H8084HF	✓		✓	✓	✓			✓		
H8084HCF	✓		✓	✓		✓		✓		
★ H8084HLL	✓		✓		✓		✓		✓	
★ H8084HCLL	✓		✓			✓	✓		✓	
H8084HFLL	✓		✓		✓			✓	✓	
H8084HCFLL	✓		✓			✓		✓	✓	
H8084HNL	✓		✓		✓		✓			✓
H8084HCNL	✓		✓			✓	✓			✓
H8084HFNL	✓		✓		✓			✓		✓
H8084HCFNL	✓		✓			✓		✓		✓
H8084H-6P	✓	✓	✓	✓	✓		✓			
H8084HC-6P	✓	✓	✓	✓		✓	✓			
H8084HF-6P	✓	✓	✓	✓	✓			✓		
H8084HCF-6P	✓	✓	✓	✓		✓		✓		

★ **POPULAR CONFIGURATIONS:** Most popular configurations are available for *QuickShip*. Please send requests to [customerservice@integraenclosures.com](mailto:customerservice@integraenclosures.com) to take advantage of our *QuickShip* option.



# 8X8X4 PREMIUM SERIES



### TORQUE SPECIFICATIONS:

**Mounting Feet** - 1/4"-20 x 0.5" SS countersunk Phillips drive screws (torque limit = 32 in lbs)

**Covers/Doors** - #10-32 x 0.75" SS pan Phillips drive screws (torque limit = 10 in lbs)

**Panels** - #10-32 x 0.375" pan Phillips drive screws (torque limit = 10-15 in lbs)

[Bracketed dimensions in mm]

Register online to download detailed drawing files at [www.integraenclosures.com](http://www.integraenclosures.com)

## Accessories for 8x8x4 (For complete accessories, see pages 81-85)



### Back Panels

- ABP88** - Aluminum panel
- SBP88** - Steel panel
- PVCBP88** - PVC panel



### Aluminum Swing Panel Kits

- ABP-88-USOPK** - Complete kit
- ABP-88USP** - Panel only
- USOPK** - Hardware only



### Back Panel Adjustment Kit

- BPAKG** - Gray, Set Screw
- BPAKB** - Black, Set Screw
- UBPAKG** - Gray, Thumb Screw
- UBPAKB** - Black Thumb Screw



### Air Vents

- VENT 3** - Aluminum louvered
- VENT 2** - Outdoor labyrinth



### Steel Swing Panel Kits

- SBP-88-USOPK** - Complete kit
- SBP-88USP** - Panel only
- USOPK** - Hardware only



### Cord Grips

- IP68/NEMA 4X/6P rated
- See page 78 for more details and part numbers.



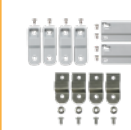
### Din Rail

- DIN 8** - 2 rails, 4 screws



### Pole Mounting Kit

- PMKG-26** - 2" pole
- PMKG-36** - 3" pole
- PMKG-46** - 4" pole
- PMKG-126** - 12" pole



### Mounting Feet & Flange Kits

- MFKG** - Premium line feet
- MFKSS** - Stainless steel feet
- MFLK6** - 6" Flange kit



# 10X8X2 PREMIUM SERIES



## Features & Benefits

- **Quality material** – bases, opaque covers and clear covers are all made of high-impact, UV resistant polycarbonate.
- **Flexible interior mounting** – features the unique and patented Integra adjustable depth “T-Rail” back panel mounting system (back panel and adjustable brackets sold separately).
- **Wide range** of sizes, configurations and accessories provides capabilities for every application.
- **Brass inserts** – in corner bosses for easy component installation.
- **Standard color** – light gray with a gloss finish.
- **UL-50 / c-UL Listed** (files # E229365, # E207562)



Mounting Feet



Mounting Flanges



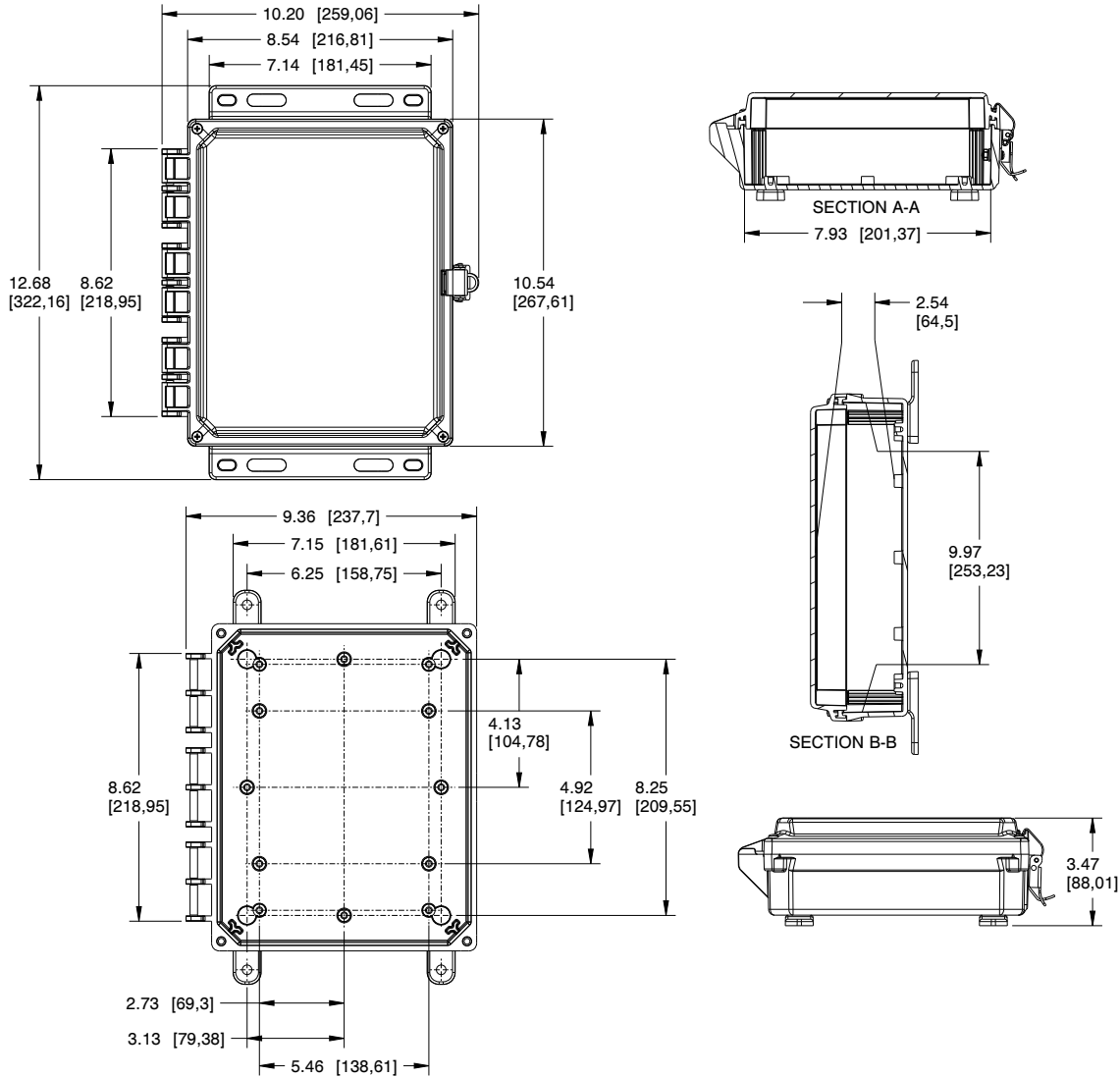
Mechanical & Thermal	Test Spec.	Unit	Rating
Instrumented Dart Impact @ 73° F	-	in-lbs	565
Falling Ball Impact @ 73° F	UL-746	in-lbs	900
Deflection Temperature @ 264 psi	ASTM D648	Deg. F	270
Modulus of Elasticity	ASTM D790	ksi	340
Temperature Range	-	Deg. F	-40 to 265
Flame Rating - UL	UL 94	-	5VA
Outdoor UV Exposure	UL	-	f1

Part Number	4X IP66	6P IP68	Hinged Cover	Screw Cover	Opaque Cover	Clear Cover	Mounting Feet	Mounting Flange	Stainless Steel Locking Latch	Non-Metallic Locking Latch
H10082S	✓	✓		✓	✓		✓			
H10082SC	✓	✓		✓		✓	✓			
H10082SF	✓	✓		✓	✓			✓		
H10082SCF	✓	✓		✓		✓		✓		
H10082H	✓		✓	✓	✓		✓			
H10082HC	✓		✓	✓		✓	✓			
H10082HF	✓		✓	✓	✓			✓		
H10082HCF	✓		✓	✓		✓		✓		
★ H10082HLL	✓		✓		✓		✓		✓	
★ H10082HCLL	✓		✓			✓	✓		✓	
H10082HFLL	✓		✓		✓			✓	✓	
H10082HCFLL	✓		✓			✓		✓	✓	
H10082HNL	✓		✓		✓		✓			✓
H10082HCNL	✓		✓			✓	✓			✓
H10082HFNL	✓		✓		✓			✓		✓
H10082HCFNL	✓		✓			✓		✓		✓
H10082H-6P	✓	✓	✓	✓	✓		✓			
H10082HC-6P	✓	✓	✓	✓		✓	✓			
H10082HF-6P	✓	✓	✓	✓	✓			✓		
H10082HCF-6P	✓	✓	✓	✓		✓		✓		

★ **POPULAR CONFIGURATIONS:** Most popular configurations are available for *QuickShip*. Please send requests to [customerservice@integraenclosures.com](mailto:customerservice@integraenclosures.com) to take advantage of our *QuickShip* option.



# 10X8X2 PREMIUM SERIES



## TORQUE SPECIFICATIONS:

**Mounting Feet** - 1/4"-20 x 0.5" SS countersunk Phillips drive screws (torque limit = 32 in lbs)









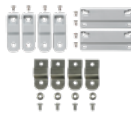
**Covers/Doors** - #10-32 x 0.75" SS pan Phillips drive screws (torque limit = 10 in lbs)

**Panels** - #10-32 x 0.375" pan Phillips drive screws (torque limit = 10-15 in lbs)

[Bracketed dimensions in mm]

Register online to download detailed drawing files at [www.integraenclosures.com](http://www.integraenclosures.com)

## Accessories for 10x8x2 (For complete accessories, see pages 81-85)

 <p><b>Back Panels</b>  <b>ABP1082</b> - Aluminum panel  <b>SBP1082</b> - Steel panel  <b>PVCBP1082</b> - PVC panel</p>	 <p><b>Aluminum Swing Panel Kits</b>  <b>ABP-108-USOPK</b> - Complete kit  <b>ABP-108USP</b> - Panel only  <b>USOPK</b> - Hardware only</p>	 <p><b>Back Panel Adjustment Kit</b>  <b>BPAKG</b> - Gray, Set Screw  <b>BPAKB</b> - Black, Set Screw  <b>UBPAKG</b> - Gray, Thumb Screw  <b>UBPAKB</b> - Black Thumb Screw</p>
 <p><b>Air Vents</b>  <b>VENT 3</b> - Aluminum louvered  <b>VENT 2</b> - Outdoor labyrinth</p>	 <p><b>Steel Swing Panel Kits</b>  <b>SBP-108-USOPK</b> - Complete kit  <b>SBP-108USP</b> - Panel only  <b>USOPK</b> - Hardware only</p>	 <p><b>Cord Grips</b>  IP68/NEMA 4X/6P rated  See page 78 for more details and part numbers.</p>
 <p><b>Din Rail</b>  <b>DIN 8</b> - 2 rails, 4 screws</p>	 <p><b>Pole Mounting Kit</b>  <b>PMKG-28</b> - 2" pole  <b>PMKG-38</b> - 3" pole  <b>PMKG-48</b> - 4" pole  <b>PMKG-128</b> - 12" pole</p>	 <p><b>Mounting Feet &amp; Flange Kits</b>  <b>MFKG</b> - Premium line feet  <b>MFKSS</b> - Stainless steel feet  <b>MFLK8</b> - 8" Flange kit</p>

# 10X8X4 PREMIUM SERIES



Mounting Feet



Mounting Flanges



## Features & Benefits

- **Quality material** – bases, opaque covers and clear covers are all made of high-impact, UV resistant polycarbonate.
- **Flexible interior mounting** – features the unique and patented Integra adjustable depth “T-Rail” back panel mounting system (back panel and adjustable brackets sold separately).
- **Wide range** of sizes, configurations and accessories provides capabilities for every application.
- **Brass inserts** – in corner bosses for easy component installation.
- **Standard color** – light gray with a gloss finish.
- **UL-50 / c-UL Listed** (files # E229365, # E207562)

Mechanical & Thermal	Test Spec.	Unit	Rating
Instrumented Dart Impact @ 73° F	-	in-lbs	565
Falling Ball Impact @ 73° F	UL-746	in-lbs	900
Deflection Temperature @ 264 psi	ASTM D648	Deg. F	270
Modulus of Elasticity	ASTM D790	ksi	340
Temperature Range	-	Deg. F	-40 to 265
Flame Rating - UL	UL 94	-	5VA
Outdoor UV Exposure	UL	-	f1

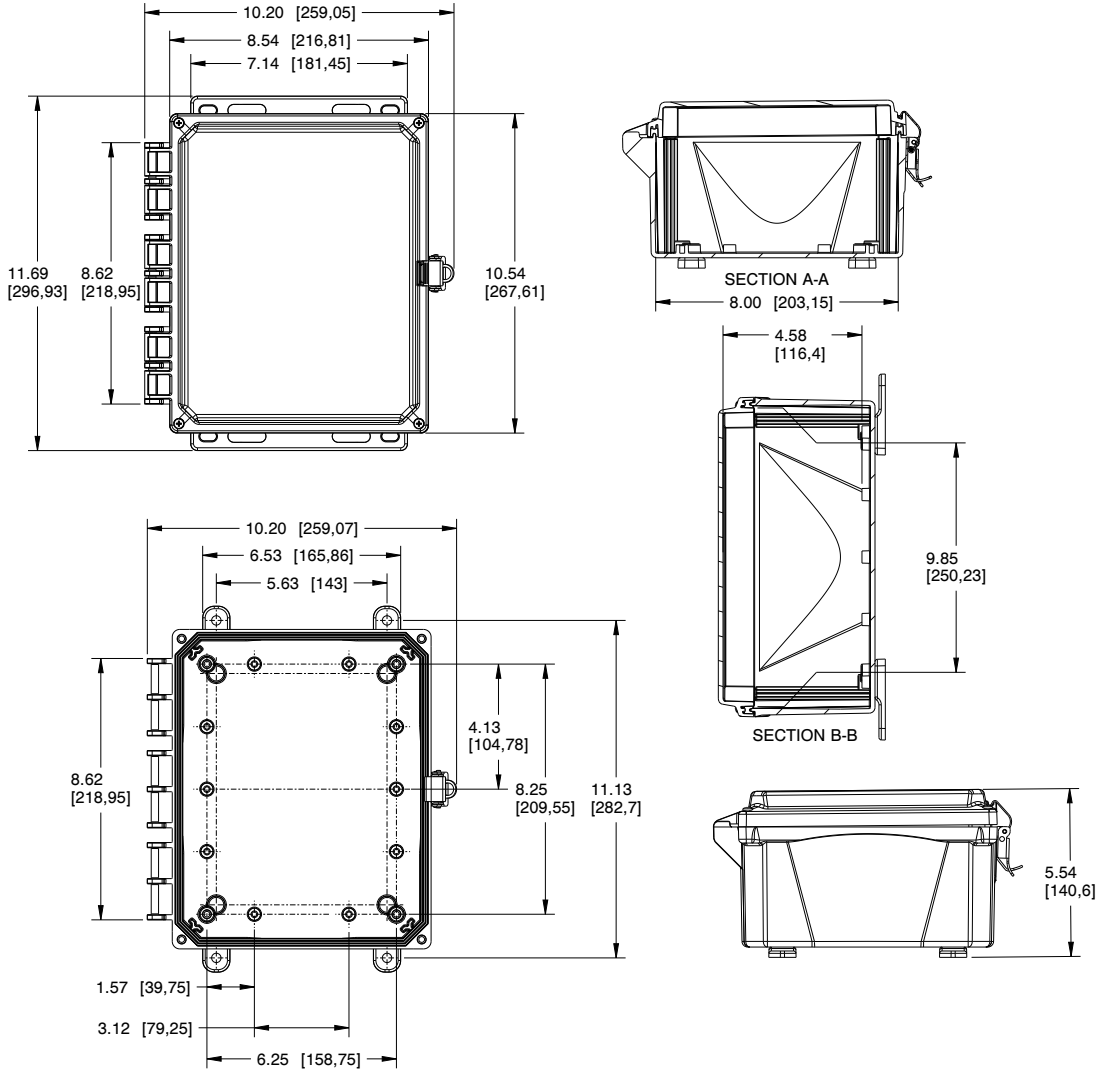
Part Number	4X IP66	6P IP68	Hinged Cover	Screw Cover	Opaque Cover	Clear Cover	Mounting Feet	Mounting Flange	Stainless Steel Locking Latch	Non-Metallic Locking Latch
H10084S	✓	✓		✓	✓		✓			
H10084SC	✓	✓		✓		✓	✓			
H10084SF	✓	✓		✓	✓			✓		
H10084SCF	✓	✓		✓		✓		✓		
H10084H	✓		✓	✓	✓		✓			
H10084HC	✓		✓	✓		✓	✓			
H10084HF	✓		✓	✓	✓			✓		
H10084HCF	✓		✓	✓		✓		✓		
★ H10084HLL	✓		✓		✓		✓		✓	
★ H10084HCLL	✓		✓			✓	✓		✓	
H10084HFLL	✓		✓		✓			✓	✓	
H10084HCFLL	✓		✓			✓		✓	✓	
H10084HNL	✓		✓		✓		✓			✓
H10084HCNL	✓		✓			✓	✓			✓
H10084HFNL	✓		✓		✓			✓		✓
H10084HCFNL	✓		✓			✓		✓		✓
H10084H-6P	✓	✓	✓	✓	✓		✓			
H10084HC-6P	✓	✓	✓	✓		✓	✓			
H10084HF-6P	✓	✓	✓	✓	✓			✓		
H10084HCF-6P	✓	✓	✓	✓		✓		✓		

★ **POPULAR CONFIGURATIONS:** Most popular configurations are available for *QuickShip*. Please send requests to [customerservice@integraenclosures.com](mailto:customerservice@integraenclosures.com) to take advantage of our *QuickShip* option.





# 10X8X4 PREMIUM SERIES



### TORQUE SPECIFICATIONS:

**Mounting Feet** - 1/4"-20 x 0.5" SS countersunk Phillips drive screws (torque limit = 32 in lbs)







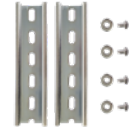

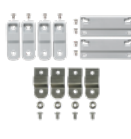
**Covers/Doors** - #10-32 x 0.75" SS pan Phillips drive screws (torque limit = 10 in lbs)

**Panels** - #10-32 x 0.375" pan Phillips drive screws (torque limit = 10-15 in lbs)

*[Bracketed dimensions in mm]*

Register online to download detailed drawing files at [www.integraenclosures.com](http://www.integraenclosures.com)

## Accessories for 10x8x4 (For complete accessories, see pages 81-85)

 <p><b>Back Panels</b>  <b>ABP108</b> - Aluminum panel  <b>SBP108</b> - Steel panel  <b>PVCBP108</b> - PVC panel</p>	 <p><b>Aluminum Swing Panel Kits</b>  <b>ABP-108-USOPK</b> - Complete kit  <b>ABP-108USP</b> - Panel only  <b>USOPK</b> - Hardware only</p>	 <p><b>Back Panel Adjustment Kit</b>  <b>BPAKG</b> - Gray, Set Screw  <b>BPAKB</b> - Black, Set Screw  <b>UBPAKG</b> - Gray, Thumb Screw  <b>UBPAKB</b> - Black Thumb Screw</p>
 <p><b>Air Vents</b>  <b>VENT 3</b> - Aluminum louvered  <b>VENT 2</b> - Outdoor labyrinth</p>	 <p><b>Steel Swing Panel Kits</b>  <b>SBP-108-USOPK</b> - Complete kit  <b>SBP-108USP</b> - Panel only  <b>USOPK</b> - Hardware only</p>	 <p><b>Cord Grips</b>  IP68/NEMA 4X/6P rated  See page 78 for more details and part numbers.</p>
 <p><b>Din Rail</b>  <b>DIN 8</b> - 2 rails, 4 screws</p>	 <p><b>Pole Mounting Kit</b>  <b>PMKG-28</b> - 2" pole  <b>PMKG-38</b> - 3" pole  <b>PMKG-48</b> - 4" pole  <b>PMKG-128</b> - 12" pole</p>	 <p><b>Mounting Feet &amp; Flange Kits</b>  <b>MFKG</b> - Premium line feet  <b>MFKSS</b> - Stainless steel feet  <b>MFLK8</b> - 8" Flange kit</p>

# 10X8X6 PREMIUM SERIES



Mounting Feet



Mounting Flanges



## Features & Benefits

- **Quality material** – bases, opaque covers and clear covers are all made of high-impact, UV resistant polycarbonate.
- **Flexible interior mounting** – features the unique and patented Integra adjustable depth “T-Rail” back panel mounting system (back panel and adjustable brackets sold separately).
- **Wide range** of sizes, configurations and accessories provides capabilities for every application.
- **Brass inserts** – in corner bosses for easy component installation.
- **Standard color** – light gray with a gloss finish.
- **UL-50 / c-UL Listed** (files # E229365, # E207562)

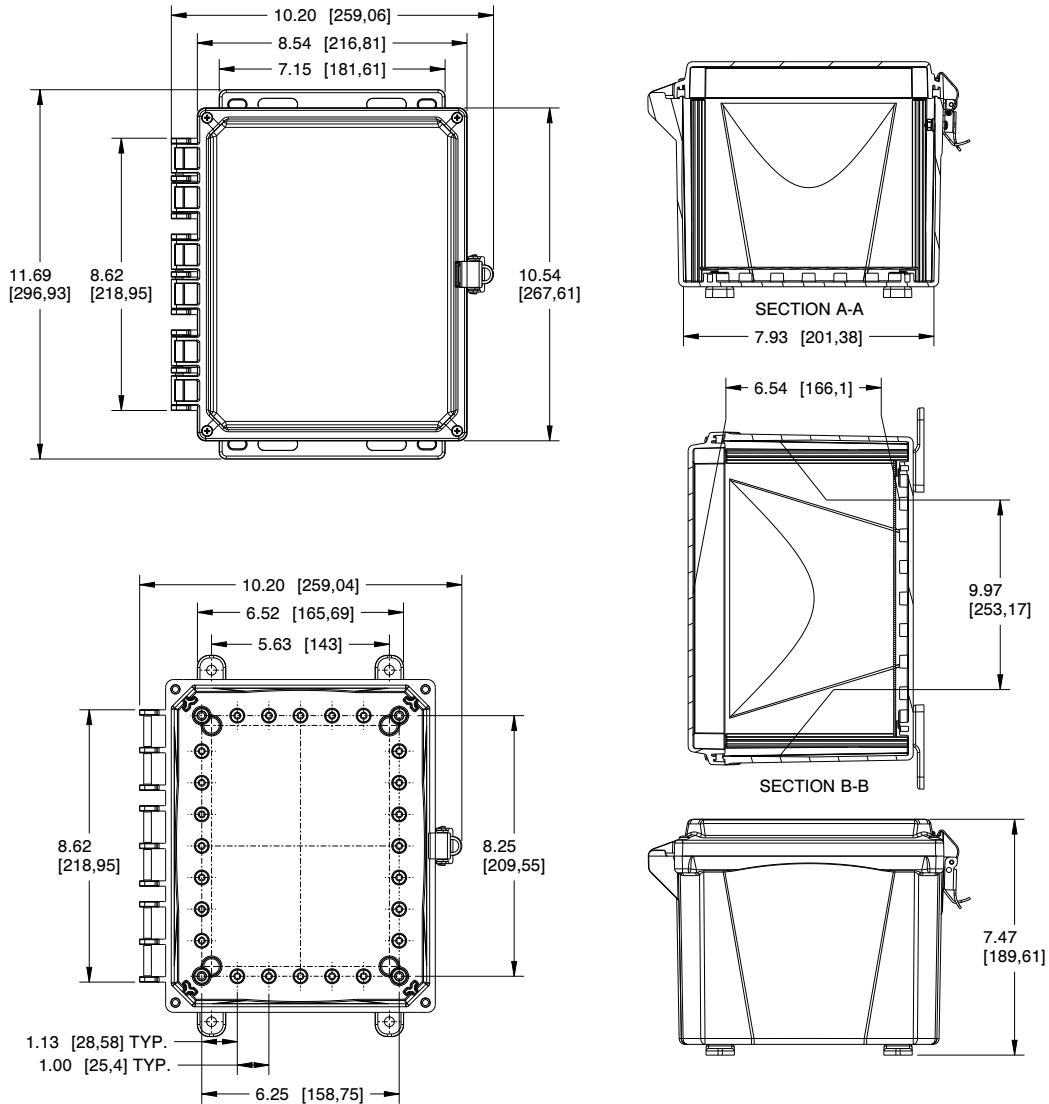
Mechanical & Thermal	Test Spec.	Unit	Rating
Instrumented Dart Impact @ 73° F	-	in-lbs	565
Falling Ball Impact @ 73° F	UL-746	in-lbs	900
Deflection Temperature @ 264 psi	ASTM D648	Deg. F	270
Modulus of Elasticity	ASTM D790	ksi	340
Temperature Range	-	Deg. F	-40 to 265
Flame Rating - UL	UL 94	-	5VA
Outdoor UV Exposure	UL	-	f1

Part Number	4X IP66	6P IP68	Hinged Cover	Screw Cover	Opaque Cover	Clear Cover	Mounting Feet	Mounting Flange	Stainless Steel Locking Latch	Non-Metallic Locking Latch
H10086S	✓	✓		✓	✓		✓			
H10086SC	✓	✓		✓		✓	✓			
H10086SF	✓	✓		✓	✓			✓		
H10086SCF	✓	✓		✓		✓		✓		
H10086H	✓		✓	✓	✓		✓			
H10086HC	✓		✓	✓		✓	✓			
H10086HF	✓		✓	✓	✓			✓		
H10086HCF	✓		✓	✓		✓		✓		
★ H10086HLL	✓		✓		✓		✓		✓	
★ H10086HCLL	✓		✓			✓	✓		✓	
H10086HFLL	✓		✓		✓			✓	✓	
H10086HCFLL	✓		✓			✓		✓	✓	
H10086HNL	✓		✓		✓		✓			✓
H10086HCNL	✓		✓			✓	✓			✓
H10086HFNL	✓		✓		✓			✓		✓
H10086HCFNL	✓		✓			✓		✓		✓
H10086H-6P	✓	✓	✓	✓	✓		✓			
H10086HC-6P	✓	✓	✓	✓		✓	✓			
H10086HF-6P	✓	✓	✓	✓	✓			✓		
H10086HCF-6P	✓	✓	✓	✓		✓		✓		

★ **POPULAR CONFIGURATIONS:** Most popular configurations are available for *QuickShip*. Please send requests to [customerservice@integraenclosures.com](mailto:customerservice@integraenclosures.com) to take advantage of our *QuickShip* option.



# 10X8X6 PREMIUM SERIES



## TORQUE SPECIFICATIONS:

**Mounting Feet** - 1/4"-20 x 0.5" SS countersunk Phillips drive screws (torque limit = 32 in lbs)

**Covers/Doors** - #10-32 x 0.75" SS pan Phillips drive screws (torque limit = 10 in lbs)

**Panels** - #10-32 x 0.375" pan Phillips drive screws (torque limit = 10-15 in lbs)

[Bracketed dimensions in mm]

Register online to download detailed drawing files at [www.integraenclosures.com](http://www.integraenclosures.com)

## Accessories for 10x8x6 (For complete accessories, see pages 81-85)



### Back Panels

**ABP108** - Aluminum panel  
**SBP108** - Steel panel  
**PVCBP108** - PVC panel



### Aluminum Swing Panel Kits

**ABP-108-USOPK** - Complete kit  
**ABP-108USP** - Panel only  
**USOPK** - Hardware only



### Back Panel Adjustment Kit

**BPAKG** - Gray, Set Screw  
**BPAKB** - Black, Set Screw  
**UBPAKG** - Gray, Thumb Screw  
**UBPAKB** - Black Thumb Screw



### Air Vents

**VENT 3** - Aluminum louvered  
**VENT 2** - Outdoor labyrinth



### Steel Swing Panel Kits

**SBP-108-USOPK** - Complete kit  
**SBP-108USP** - Panel only  
**USOPK** - Hardware only



### Cord Grips

IP68/NEMA 4X/6P rated  
 See page 78 for more details and part numbers.



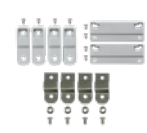
### Din Rail

**DIN 8** - 2 rails, 4 screws



### Pole Mounting Kit

**PMKG-28** - 2" pole  
**PMKG-38** - 3" pole  
**PMKG-48** - 4" pole  
**PMKG-128** - 12" pole



### Mounting Feet & Flange Kits

**MFKG** - Premium line feet  
**MFKSS** - Stainless steel feet  
**MFLK8** - 8" Flange kit



# 12X10X4 PREMIUM SERIES



Mounting Feet



Mounting Flanges



## Features & Benefits

- **Quality material** – bases, opaque covers and clear covers are all made of high-impact, UV resistant polycarbonate.
- **Flexible interior mounting** – features the unique and patented Integra adjustable depth “T-Rail” back panel mounting system (back panel and adjustable brackets sold separately).
- **Wide range** of sizes, configurations and accessories provides capabilities for every application.
- **Brass inserts** – in corner bosses for easy component installation.
- **Standard color** – light gray with a gloss finish.
- **UL-50 / c-UL Listed** (files # E229365, # E207562)

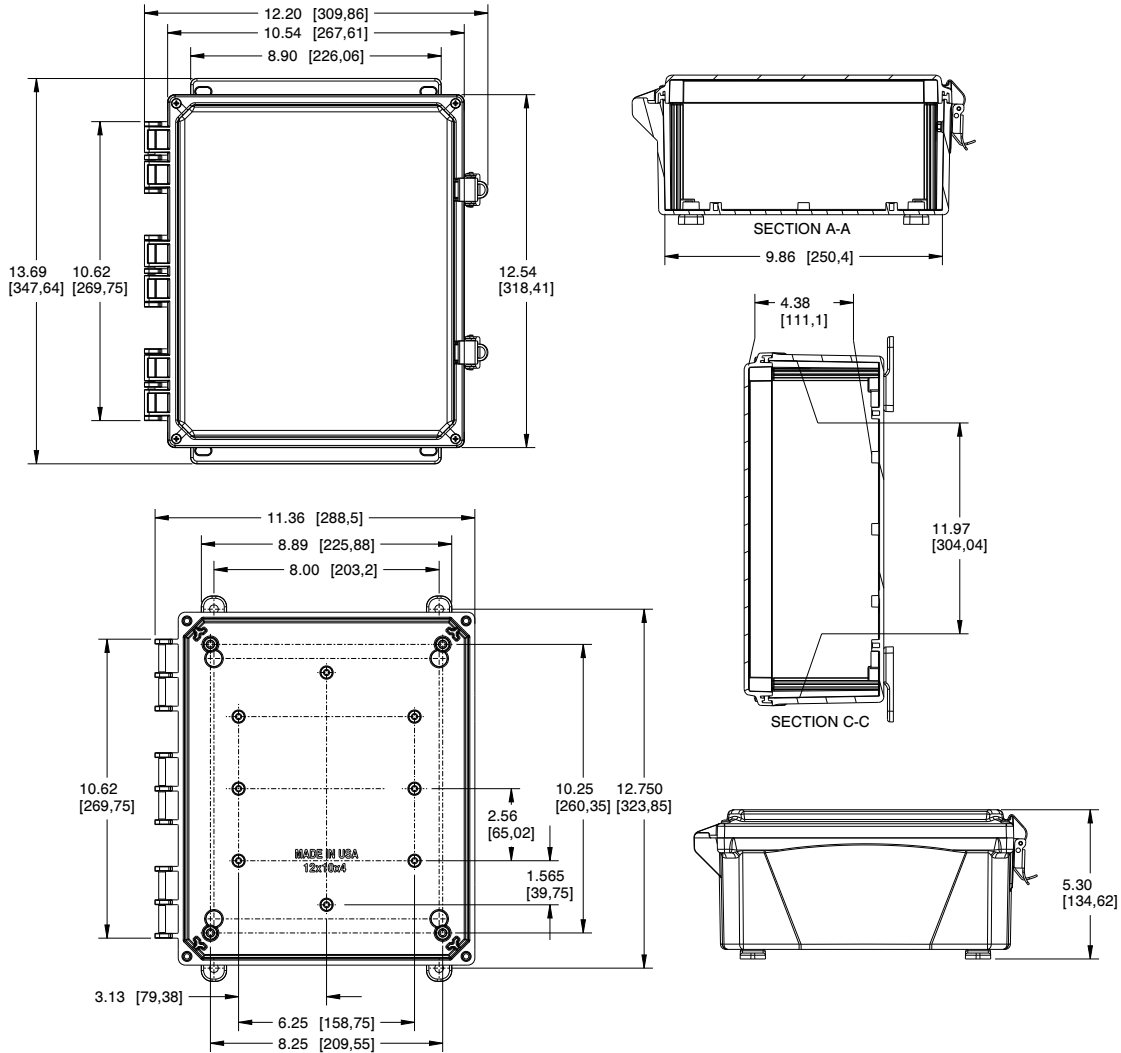
Mechanical & Thermal	Test Spec.	Unit	Rating
Instrumented Dart Impact @ 73° F	-	in-lbs	565
Falling Ball Impact @ 73° F	UL-746	in-lbs	900
Deflection Temperature @ 264 psi	ASTM D648	Deg. F	270
Modulus of Elasticity	ASTM D790	ksi	340
Temperature Range	-	Deg. F	-40 to 265
Flame Rating - UL	UL 94	-	5VA
Outdoor UV Exposure	UL	-	f1

Part Number	4X IP66	6P IP68	Hinged Cover	Screw Cover	Opaque Cover	Clear Cover	Mounting Feet	Mounting Flange	Stainless Steel Locking Latch	Non-Metallic Locking Latch
H12104S	✓	✓		✓	✓		✓			
H12104SC	✓	✓		✓		✓	✓			
H12104SF	✓	✓		✓	✓			✓		
H12104SCF	✓	✓		✓		✓		✓		
H12104H	✓		✓	✓	✓		✓			
H12104HC	✓		✓	✓		✓	✓			
H12104HF	✓		✓	✓	✓			✓		
H12104HCF	✓		✓	✓		✓		✓		
★ H12104HLL	✓		✓		✓		✓		✓	
★ H12104HCLL	✓		✓			✓	✓		✓	
H12104HFLL	✓		✓		✓			✓	✓	
H12104HCFLL	✓		✓			✓		✓	✓	
H12104HNL	✓		✓		✓		✓			✓
H12104HCNL	✓		✓			✓	✓			✓
H12104HFNL	✓		✓		✓			✓		✓
H12104HCFNL	✓		✓			✓		✓		✓
H12104H-6P	✓	✓	✓	✓	✓		✓			
H12104HC-6P	✓	✓	✓	✓		✓	✓			
H12104HF-6P	✓	✓	✓	✓	✓			✓		
H12104HCF-6P	✓	✓	✓	✓		✓		✓		

★ **POPULAR CONFIGURATIONS:** Most popular configurations are available for *QuickShip*. Please send requests to [customerservice@integraenclosures.com](mailto:customerservice@integraenclosures.com) to take advantage of our *QuickShip* option.



# 12X10X4 PREMIUM SERIES



## TORQUE SPECIFICATIONS:

- Mounting Feet** - 1/4"-20 x 0.5" SS countersunk Phillips drive screws (torque limit = 32 in lbs)
- Covers/Doors** - #10-32 x 0.75" SS pan Phillips drive screws (torque limit = 10 in lbs)
- Panels** - #10-32 x 0.375" pan Phillips drive screws (torque limit = 10-15 in lbs)

[Bracketed dimensions in mm]

Register online to download detailed drawing files at [www.integraenclosures.com](http://www.integraenclosures.com)

## Accessories for 12x10x4 (For complete accessories, see pages 81-85)



### Back Panels

- ABP1210** - Aluminum panel
- SBP1210** - Steel panel
- PVCBP1210** - PVC panel



### Aluminum Swing Panel Kits

- ABP-1210-USOPK** - Complete kit
- ABP-1210USP** - Panel only
- USOPK** - Hardware only



### Back Panel Adjustment Kit

- BPAKG** - Gray, Set Screw
- BPAKB** - Black, Set Screw
- UBPAKG** - Gray, Thumb Screw
- UBPAKB** - Black Thumb Screw



### Air Vents / Fan Shrouds

- VENT 3** - Aluminum louvered
- VENT 2** - Outdoor labyrinth
- FS KIT1** - 1 piece kit
- FS KIT2** - 2 piece kit



### Steel Swing Panel Kits

- SBP-1210-USOPK** - Complete kit
- SBP-1210USP** - Panel only
- USOPK** - Hardware only



### Cord Grips

- IP68/NEMA 4X/6P** rated
- See page 78 for more details and part numbers.



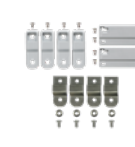
### Din Rail

- DIN 10** - 2 rails, 4 screws



### Pole Mounting Kit

- PMKG-210** - 2" pole
- PMKG-310** - 3" pole
- PMKG-410** - 4" pole
- PMKG-1210** - 12" pole



### Mounting Feet & Flange Kits

- MFKG** - Premium line feet
- MFSS** - Stainless steel feet
- MFLK10** - 10" Flange kit

# 12X10X6 PREMIUM SERIES



## Features & Benefits

- **Quality material** – bases, opaque covers and clear covers are all made of high-impact, UV resistant polycarbonate.
- **Flexible interior mounting** – features the unique and patented Integra adjustable depth “T-Rail” back panel mounting system (back panel and adjustable brackets sold separately).
- **Wide range** of sizes, configurations and accessories provides capabilities for every application.
- **Brass inserts** – in corner bosses for easy component installation.
- **Standard color** – light gray with a gloss finish.
- **UL-50 / c-UL Listed** (files # E229365, # E207562)



Mounting Feet



Mounting Flanges



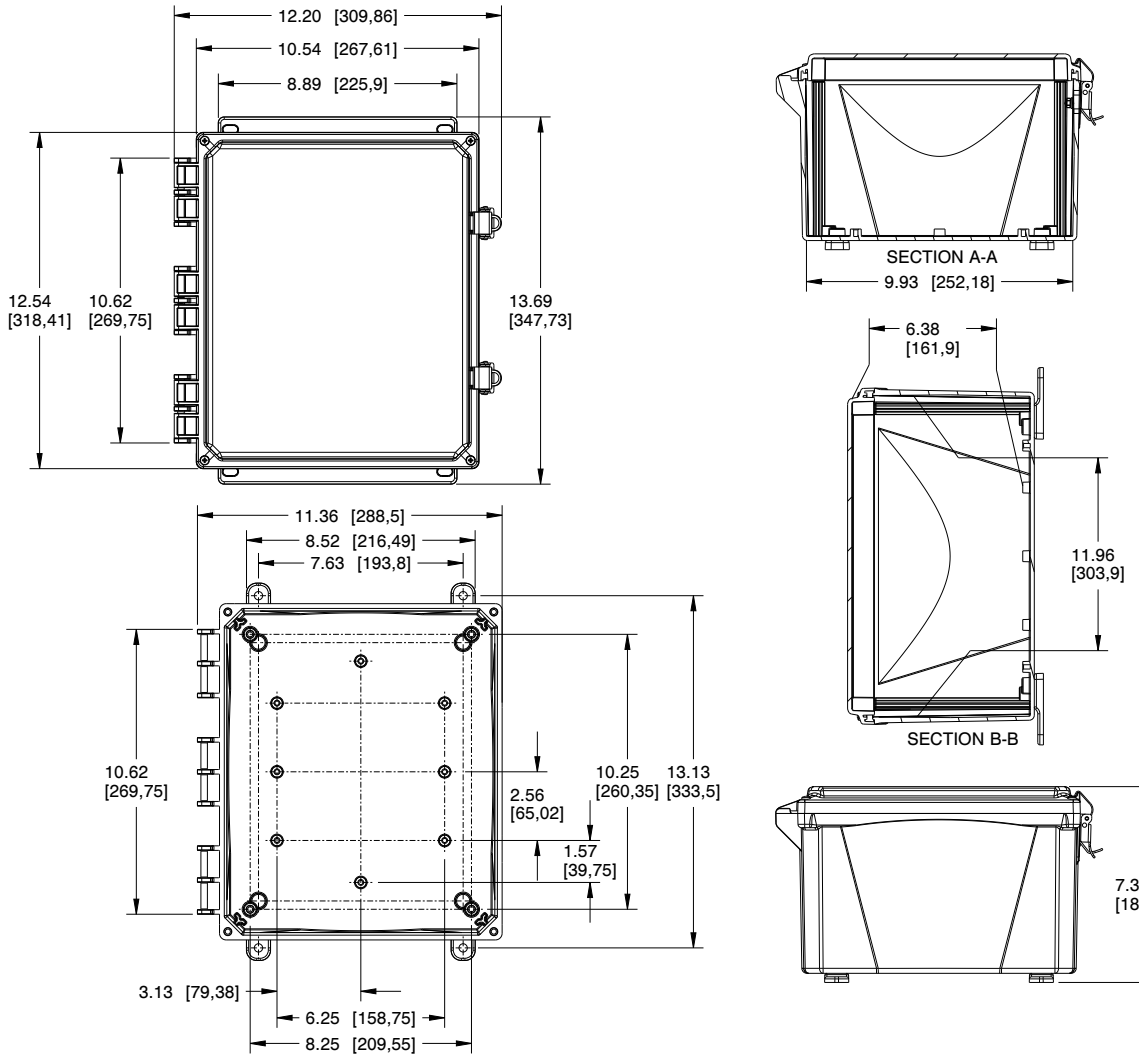
Mechanical & Thermal	Test Spec.	Unit	Rating
Instrumented Dart Impact @ 73° F	-	in-lbs	565
Falling Ball Impact @ 73° F	UL-746	in-lbs	900
Deflection Temperature @ 264 psi	ASTM D648	Deg. F	270
Modulus of Elasticity	ASTM D790	ksi	340
Temperature Range	-	Deg. F	-40 to 265
Flame Rating - UL	UL 94	-	5VA
Outdoor UV Exposure	UL	-	f1

Part Number	4X IP66	6P IP68	Hinged Cover	Screw Cover	Opaque Cover	Clear Cover	Mounting Feet	Mounting Flange	Stainless Steel Locking Latch	Non-Metallic Locking Latch
H12106S	✓	✓		✓	✓		✓			
H12106SC	✓	✓		✓		✓	✓			
H12106SF	✓	✓		✓	✓			✓		
H12106SCF	✓	✓		✓		✓		✓		
H12106H	✓		✓	✓	✓		✓			
H12106HC	✓		✓	✓		✓	✓			
H12106HF	✓		✓	✓	✓			✓		
H12106HCF	✓		✓	✓		✓		✓		
★ H12106HLL	✓		✓		✓		✓		✓	
★ H12106HCLL	✓		✓			✓	✓		✓	
H12106HFLL	✓		✓		✓			✓	✓	
H12106HCFLL	✓		✓			✓		✓	✓	
H12106HNL	✓		✓		✓		✓			✓
H12106HCNL	✓		✓			✓	✓			✓
H12106HFNL	✓		✓		✓			✓		✓
H12106HCFNL	✓		✓			✓		✓		✓
H12106H-6P	✓	✓	✓	✓	✓		✓			
H12106HC-6P	✓	✓	✓	✓		✓	✓			
H12106HF-6P	✓	✓	✓	✓	✓			✓		
H12106HCF-6P	✓	✓	✓	✓		✓		✓		

★ **POPULAR CONFIGURATIONS:** Most popular configurations are available for *QuickShip*. Please send requests to [customerservice@integraenclosures.com](mailto:customerservice@integraenclosures.com) to take advantage of our *QuickShip* option.



# 12X10X6 PREMIUM SERIES



### TORQUE SPECIFICATIONS:

**Mounting Feet** - 1/4"-20 x 0.5" SS countersunk Phillips drive screws (torque limit = 32 in lbs)

**Covers/Doors** - #10-32 x 0.75" SS pan Phillips drive screws (torque limit = 10 in lbs)

**Panels** - #10-32 x 0.375" pan Phillips drive screws (torque limit = 10-15 in lbs)

[Bracketed dimensions in mm]

Register online to download detailed drawing files at [www.integraenclosures.com](http://www.integraenclosures.com)

## Accessories for 12x10x6 (For complete accessories, see pages 81-85)



### Back Panels

- ABP1210** - Aluminum panel
- SBP1210** - Steel panel
- PVCBP1210** - PVC panel



### Aluminum Swing Panel Kits

- ABP-1210-USOPK** - Complete kit
- ABP-1210USP** - Panel only
- USOPK** - Hardware only



### Back Panel Adjustment Kit

- BPAKG** - Gray, Set Screw
- BPAKB** - Black, Set Screw
- UBPAKG** - Gray, Thumb Screw
- UBPAKB** - Black Thumb Screw



### Air Vents / Fan Shrouds

- VENT 3** - Aluminum louvered
- VENT 2** - Outdoor labyrinth
- FS KIT1** - 1 piece kit
- FS KIT2** - 2 piece kit



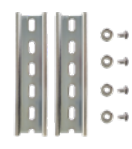
### Steel Swing Panel Kits

- SBP-1210-USOPK** - Complete kit
- SBP-1210USP** - Panel only
- USOPK** - Hardware only



### Cord Grips

- IP68/NEMA 4X/6P** rated
- See page 76 for more details and part numbers.



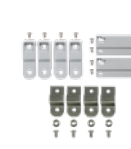
### Din Rail

- DIN 10** - 2 rails, 4 screws



### Pole Mounting Kit

- PMKG-210** - 2" pole
- PMKG-310** - 3" pole
- PMKG-410** - 4" pole
- PMKG-1210** - 12" pole



### Mounting Feet & Flange Kits

- MFKG** - Premium line feet
- MFKSS** - Stainless steel feet
- MFLK10** - 10" Flange kit



# 14X12X6 PREMIUM SERIES



Mounting Feet



Mounting Flanges



## Features & Benefits

- **Quality material** – bases, opaque covers and clear covers are all made of high-impact, UV resistant polycarbonate.
- **Flexible interior mounting** – features the unique and patented Integra adjustable depth “T-Rail” back panel mounting system (back panel and adjustable brackets sold separately).
- **Wide range** of sizes, configurations and accessories provides capabilities for every application.
- **Brass inserts** – in corner bosses for easy component installation.
- **Standard color** – light gray with a gloss finish.
- **UL-50 / c-UL Listed** (files # E229365, # E207562)

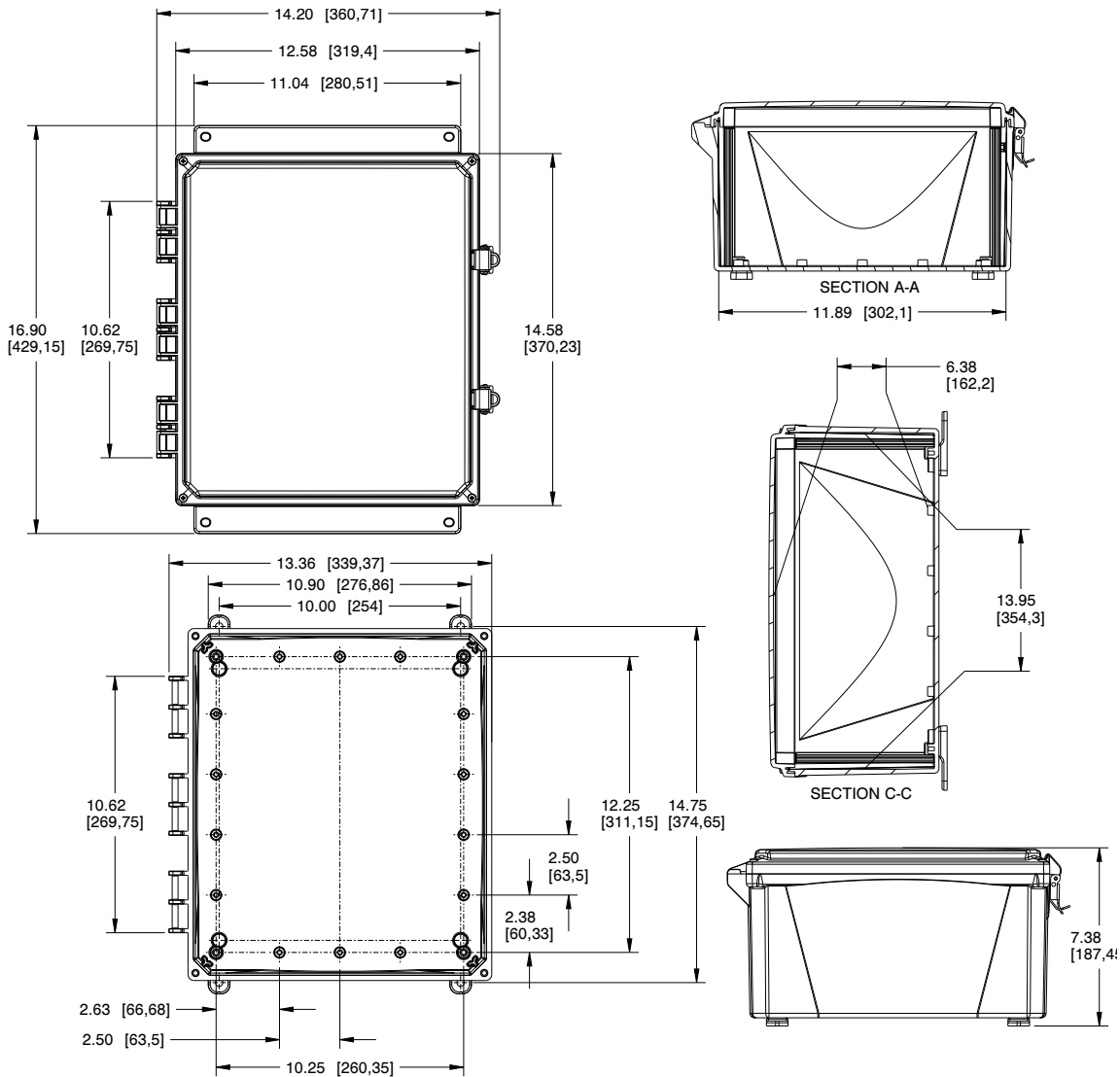
Mechanical & Thermal	Test Spec.	Unit	Rating
Instrumented Dart Impact @ 73° F	-	in-lbs	565
Falling Ball Impact @ 73° F	UL-746	in-lbs	900
Deflection Temperature @ 264 psi	ASTM D648	Deg. F	270
Modulus of Elasticity	ASTM D790	ksi	340
Temperature Range	-	Deg. F	-40 to 265
Flame Rating - UL	UL 94	-	5VA
Outdoor UV Exposure	UL	-	f1

Part Number	4X IP66	6P IP68	Hinged Cover	Screw Cover	Opaque Cover	Clear Cover	Mounting Feet	Mounting Flange	Stainless Steel Locking Latch	Non-Metallic Locking Latch
H141206S	✓	✓		✓	✓		✓			
H141206SC	✓	✓		✓		✓	✓			
H141206SF	✓	✓		✓	✓			✓		
H141206SCF	✓	✓		✓		✓		✓		
H141206H	✓		✓	✓	✓		✓			
H141206HC	✓		✓	✓		✓	✓			
H141206HF	✓		✓	✓	✓			✓		
H141206HCF	✓		✓	✓		✓		✓		
★ H141206HLL	✓		✓		✓		✓		✓	
★ H141206HCLL	✓		✓			✓	✓		✓	
H141206HFLL	✓		✓		✓			✓	✓	
H141206HCFLL	✓		✓			✓		✓	✓	
H141206HNL	✓		✓		✓		✓			✓
H141206HCNL	✓		✓			✓	✓			✓
H141206HFNL	✓		✓		✓			✓		✓
H141206HCFNL	✓		✓			✓		✓		✓
H141206H-6P	✓	✓	✓	✓	✓		✓			
H141206HC-6P	✓	✓	✓	✓		✓	✓			
H141206HF-6P	✓	✓	✓	✓	✓			✓		
H141206HCF-6P	✓	✓	✓	✓		✓		✓		

★ **POPULAR CONFIGURATIONS:** Most popular configurations are available for *QuickShip*. Please send requests to [customerservice@integraenclosures.com](mailto:customerservice@integraenclosures.com) to take advantage of our *QuickShip* option.



# 14X12X6 PREMIUM SERIES



## TORQUE SPECIFICATIONS:

**Mounting Feet** - 1/4"-20 x 0.5" SS countersunk Phillips drive screws (torque limit = 32 in lbs)

**Covers/Doors** - #10-32 x 0.75" SS pan Phillips drive screws (torque limit = 10 in lbs)

**Panels** - #10-32 x 0.375" pan Phillips drive screws (torque limit = 10-15 in lbs)

[Bracketed dimensions in mm]

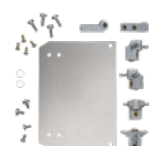
Register online to download detailed drawing files at [www.integraenclosures.com](http://www.integraenclosures.com)

## Accessories for 14x12x6 (For complete accessories, see pages 81-85)



### Back Panels

**ABP1412** - Aluminum panel  
**SBP1412** - Steel panel  
**PVCBP1412** - PVC panel



### Aluminum Swing Panel Kits

**ABP-1412-USOPK** - Complete kit  
**ABP-1412USP** - Panel only  
**USOPK** - Hardware only



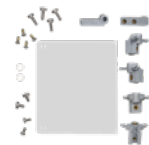
### Back Panel Adjustment Kit

**BPAKG** - Gray, Set Screw  
**BPAKB** - Black, Set Screw  
**UBPAKG** - Gray, Thumb Screw  
**UBPAKB** - Black Thumb Screw



### Air Vents / Fan Shrouds

**VENT 3** - Aluminum louvered  
**VENT 2** - Outdoor labyrinth  
**FS KIT1** - 1 piece kit  
**FS KIT2** - 2 piece kit



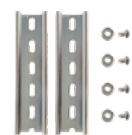
### Steel Swing Panel Kits

**SBP-1412-USOPK** - Complete kit  
**SBP-1412USP** - Panel only  
**USOPK** - Hardware only



### Cord Grips

IP68/NEMA 4X/6P rated  
 See page 78 for more details and part numbers.



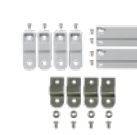
### Din Rail

**DIN 12** - 2 rails, 4 screws



### Pole Mounting Kit

**PMKG-212** - 2" pole  
**PMKG-312** - 3" pole  
**PMKG-412** - 4" pole  
**PMKG-1212** - 12" pole



### Mounting Feet & Flange Kits

**MFKG** - Premium line feet  
**MFKSS** - Stainless steel feet  
**MFLK12** - 12" Flange kit

# 16X14X7 PREMIUM SERIES



## Features & Benefits

- **Quality material** – bases, opaque covers and clear covers are all made of high-impact, UV resistant polycarbonate.
- **Flexible interior mounting** – features the unique and patented Integra adjustable depth “T-Rail” back panel mounting system (back panel and adjustable brackets sold separately).
- **Wide range** of sizes, configurations and accessories provides capabilities for every application.
- **Brass inserts** – in corner bosses for easy component installation.
- **Standard color** – light gray with a gloss finish.
- **UL-50 / c-UL Listed** (files # E229365, # E207562)



Mounting Feet



Mounting Flanges



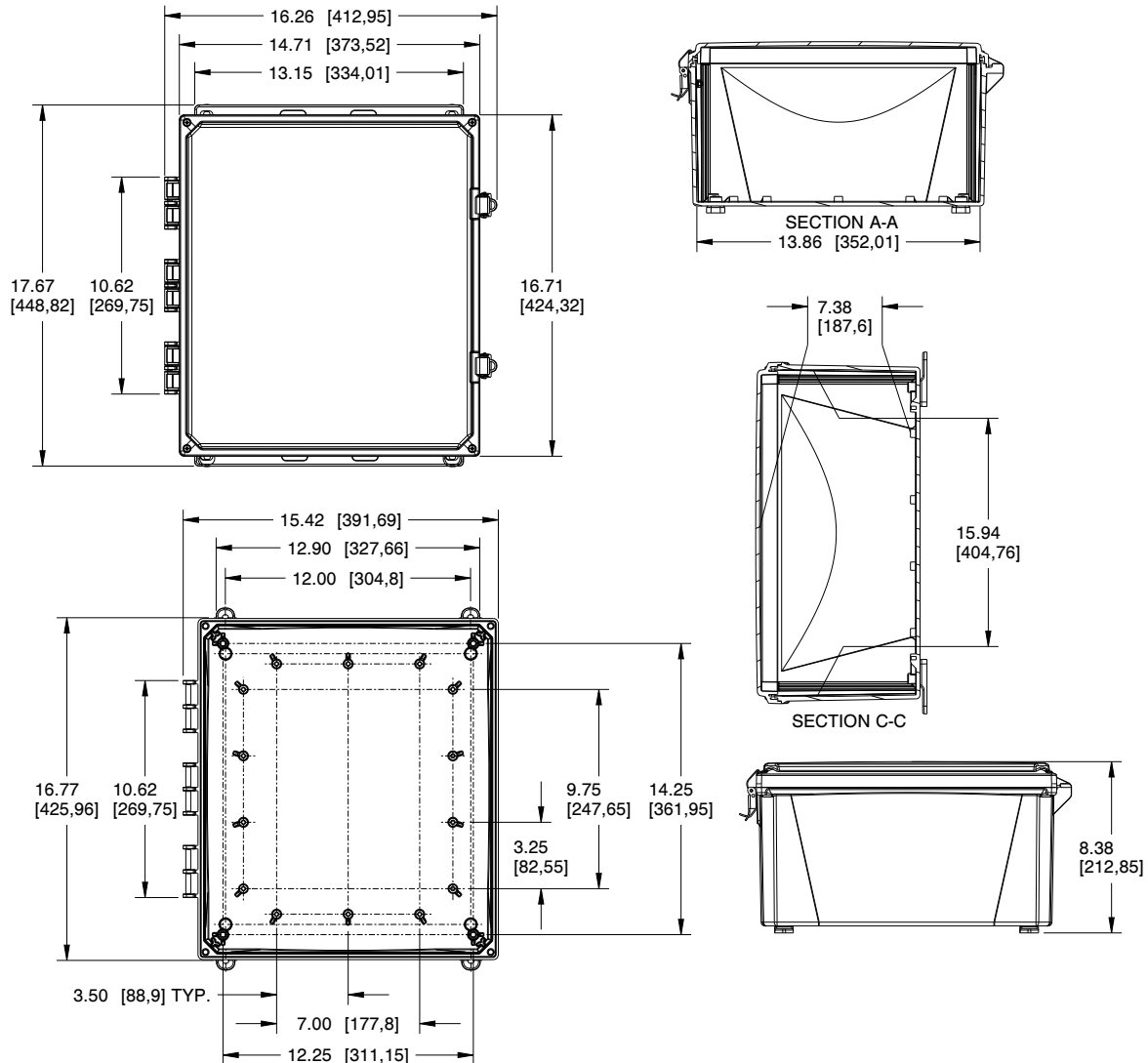
Mechanical & Thermal	Test Spec.	Unit	Rating
Instrumented Dart Impact @ 73° F	-	in-lbs	565
Falling Ball Impact @ 73° F	UL-746	in-lbs	900
Deflection Temperature @ 264 psi	ASTM D648	Deg. F	270
Modulus of Elasticity	ASTM D790	ksi	340
Temperature Range	-	Deg. F	-40 to 265
Flame Rating - UL	UL 94	-	5VA
Outdoor UV Exposure	UL	-	f1

Part Number	4X IP66	6P IP68	Hinged Cover	Screw Cover	Opaque Cover	Clear Cover	Mounting Feet	Mounting Flange	Stainless Steel Locking Latch	Non-Metallic Locking Latch
H161407S	✓	✓		✓	✓		✓			
H161407SC	✓	✓		✓		✓	✓			
H161407SF	✓	✓		✓	✓			✓		
H161407SCF	✓	✓		✓		✓		✓		
H161407H	✓		✓	✓	✓		✓			
H161407HC	✓		✓	✓		✓	✓			
H161407HF	✓		✓	✓	✓			✓		
H161407HCF	✓		✓	✓		✓		✓		
★ H161407HLL	✓		✓		✓		✓		✓	
★ H161407HCLL	✓		✓			✓	✓		✓	
H161407HFLL	✓		✓		✓			✓	✓	
H161407HCFLL	✓		✓			✓		✓	✓	
H161407HNL	✓		✓		✓		✓			✓
H161407HCNL	✓		✓			✓	✓			✓
H161407HFNL	✓		✓		✓			✓		✓
H161407HCFNL	✓		✓			✓		✓		✓
H161407H-6P	✓	✓	✓	✓	✓		✓			
H161407HC-6P	✓	✓	✓	✓		✓	✓			
H161407HF-6P	✓	✓	✓	✓	✓			✓		
H161407HCF-6P	✓	✓	✓	✓		✓		✓		

★ **POPULAR CONFIGURATIONS:** Most popular configurations are available for *QuickShip*. Please send requests to [customerservice@integraenclosures.com](mailto:customerservice@integraenclosures.com) to take advantage of our *QuickShip* option.



# 16X14X7 PREMIUM SERIES











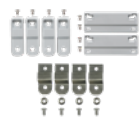
## TORQUE SPECIFICATIONS:

- Mounting Feet** - 1/4"-20 x 0.5" SS countersunk Phillips drive screws (torque limit = 32 in lbs)
- Covers/Doors** - #10-32 x 0.75" SS pan Phillips drive screws (torque limit = 10 in lbs)
- Panels** - #10-32 x 0.375" pan Phillips drive screws (torque limit = 10-15 in lbs)

[Bracketed dimensions in mm]

Register online to download detailed drawing files at [www.integraenclosures.com](http://www.integraenclosures.com)

## Accessories for 16x14x7 (For complete accessories, see pages 81-85)

 <p><b>Back Panels</b>  <b>ABP1614</b> - Aluminum panel  <b>SBP1614</b> - Steel panel  <b>PVCBP1614</b> - PVC panel</p>	 <p><b>Aluminum Swing Panel Kits</b>  <b>ABP-1614-USOPK</b> - Complete kit  <b>ABP-1614USP</b> - Panel only  <b>USOPK</b> - Hardware only</p>	 <p><b>Back Panel Adjustment Kit</b>  <b>BPAKG</b> - Gray, Set Screw  <b>BPAKB</b> - Black, Set Screw  <b>UBPAKG</b> - Gray, Thumb Screw  <b>UBPAKB</b> - Black Thumb Screw</p>
 <p><b>Air Vents / Fan Shrouds</b>  <b>VENT 3</b> - Aluminum louvered  <b>VENT 2</b> - Outdoor labyrinth  <b>FS KIT1</b> - 1 piece kit  <b>FS KIT2</b> - 2 piece kit</p>	 <p><b>Steel Swing Panel Kits</b>  <b>SBP-1614-USOPK</b> - Complete kit  <b>SBP-1614USP</b> - Panel only  <b>USOPK</b> - Hardware only</p>	 <p><b>Cord Grips</b>  IP68/NEMA 4X/6P rated  See page 78 for more details and part numbers.</p>
 <p><b>Din Rail</b>  <b>DIN 14</b> - 2 rails, 4 screws</p>	 <p><b>Pole Mounting Kit</b>  <b>PMKG-214</b> - 2" pole  <b>PMKG-314</b> - 3" pole  <b>PMKG-414</b> - 4" pole  <b>PMKG-1214</b> - 12" pole</p>	 <p><b>Mounting Feet &amp; Flange Kits</b>  <b>MFKG</b> - Premium line feet  <b>MFKSS</b> - Stainless steel feet  <b>MFLK14</b> - 14" Flange kit</p>





## Features & Benefits

- **Quality material** – bases, opaque covers and clear covers are all made of high-impact, UV resistant polycarbonate.
- **Flexible interior mounting** – features the unique and patented Integra adjustable depth “T-Rail” back panel mounting system (back panel and adjustable brackets sold separately).
- **Wide range** of sizes, configurations and accessories provides capabilities for every application.
- **Brass inserts** – in corner bosses for easy component installation.
- **Standard color** – light gray with a gloss finish.
- **UL-50 / c-UL Listed** (files # E229365, # E207562)



Mounting Feet



Mounting Flanges



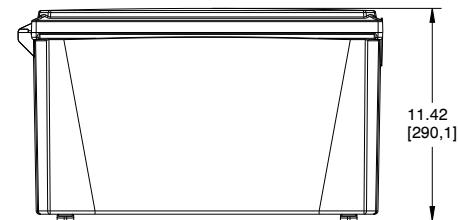
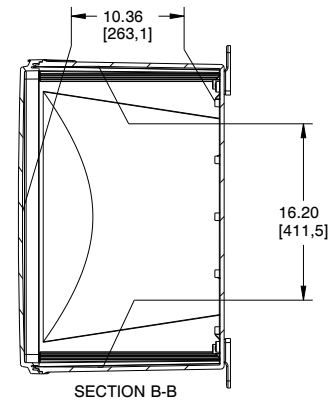
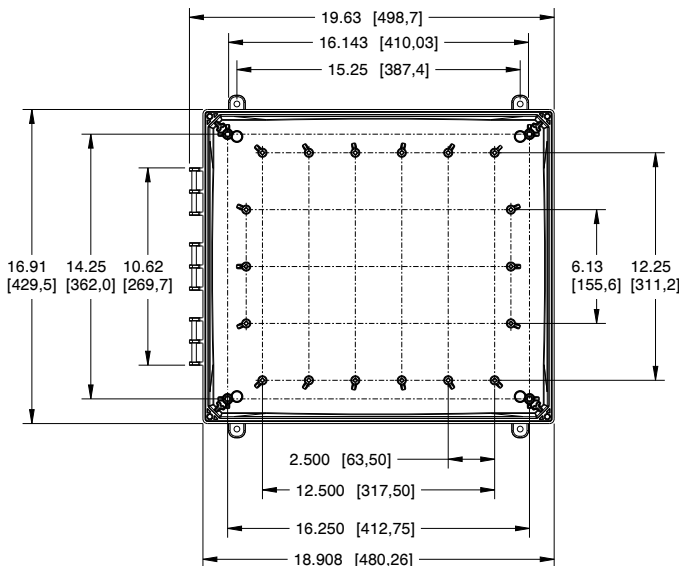
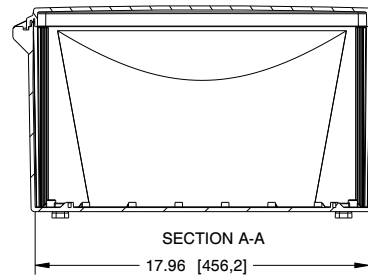
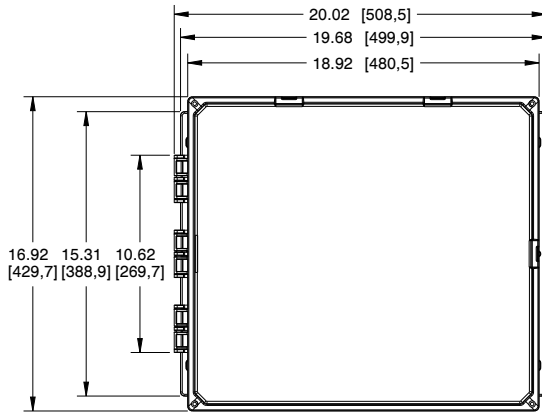
Mechanical & Thermal	Test Spec.	Unit	Rating
Instrumented Dart Impact @ 73° F	-	in-lbs	565
Falling Ball Impact @ 73° F	UL-746	in-lbs	900
Deflection Temperature @ 264 psi	ASTM D648	Deg. F	270
Modulus of Elasticity	ASTM D790	ksi	340
Temperature Range	-	Deg. F	-40 to 265
Flame Rating - UL	UL 94	-	5VA
Outdoor UV Exposure	UL	-	f1

Part Number	4X IP66	6P IP68	Hinged Cover	Screw Cover	Opaque Cover	Clear Cover	Mounting Feet	Mounting Flange	Stainless Steel Locking Latch	Non-Metallic Locking Latch
H161810H	✓		✓	✓	✓		✓			
H161810HC	✓		✓	✓		✓	✓			
H161810HF	✓		✓	✓	✓			✓		
H161810HCF	✓		✓	✓		✓		✓		
H161810H-6P	✓	✓	✓	✓	✓		✓			
H161810HC-6P	✓	✓	✓	✓		✓	✓			
H161810HF-6P	✓	✓	✓	✓	✓			✓		
H161810HCF-6P	✓	✓	✓	✓		✓		✓		

\*This enclosure has a horizontal orientation with the hinge located on the 16" side of the enclosure. Mounting Flanges to be mounted vertically on 16" sides of the enclosure.



# 16X18X10 PREMIUM LINE



## TORQUE SPECIFICATIONS:

**Mounting Feet** - 1/4"-20 x 0.5" SS countersunk Phillips drive screws (torque limit = 32 in lbs)







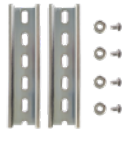

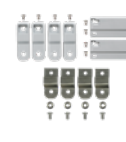
**Covers/Doors** - #10-32 x 0.75" SS pan Phillips drive screws (torque limit = 10 in lbs)

**Panels** - #10-32 x 0.375" pan Phillips drive screws (torque limit = 10-15 in lbs)

[Bracketed dimensions in mm]

Register online to download detailed drawing files at [www.integraenclosures.com](http://www.integraenclosures.com)

## Accessories for 16x18x10 (For complete accessories, see pages 81-85)

 <p><b>Back Panels</b>  <b>ABP1816</b> - Aluminum panel  <b>SBP1816</b> - Steel panel  <b>PVCBP1816</b> - PVC panel</p>	 <p><b>Aluminum Swing Panel Kits</b>  <b>ABP-1816-USOPK</b> - Complete kit  <b>ABP-1816USP</b> - Panel only  <b>USOPK</b> - Hardware only</p>	 <p><b>Back Panel Adjustment Kit</b>  <b>BPAKG</b> - Gray, Set Screw  <b>BPAKB</b> - Black, Set Screw  <b>UBPAKG</b> - Gray, Thumb Screw  <b>UBPAKB</b> - Black Thumb Screw</p>
 <p><b>Air Vents / Fan Shrouds</b>  <b>VENT 3</b> - Aluminum louvered  <b>VENT 2</b> - Outdoor labyrinth  <b>FS KIT1</b> - 1 piece kit  <b>FS KIT2</b> - 2 piece kit</p>	 <p><b>Steel Swing Panel Kits</b>  <b>SBP-1816-USOPK</b> - Complete kit  <b>SBP-1816USP</b> - Panel only  <b>USOPK</b> - Hardware only</p>	 <p><b>Cord Grips</b>  IP68/NEMA 4X/6P rated  See page 78 for more details and part numbers.</p>
 <p><b>Din Rail</b>  <b>DIN 18</b> - 2 rails, 4 screws</p>	 <p><b>Pole Mounting Kit</b>  <b>PMKG-218</b> - 2" pole  <b>PMKG-318</b> - 3" pole  <b>PMKG-418</b> - 4" pole  <b>PMKG-1218</b> - 12" pole</p>	 <p><b>Mounting Feet &amp; Flange Kits</b>  <b>MFKG</b> - Premium line feet  <b>MFKSS</b> - Stainless steel feet  <b>MFLK16</b> - 16" Flange kit</p>

# 18X16X8 PREMIUM LINE



## Features & Benefits

- **Quality material** – bases, opaque covers and clear covers are all made of high-impact, UV resistant polycarbonate.
- **Flexible interior mounting** – features the unique and patented Integra adjustable depth “T-Rail” back panel mounting system (back panel and adjustable brackets sold separately).
- **Wide range** of sizes, configurations and accessories provides capabilities for every application.
- **Brass inserts** – in corner bosses for easy component installation.
- **Standard color** – light gray with a gloss finish.
- **UL-50 / c-UL Listed** (files # E229365, # E207562)



Mounting Feet



Mounting Flanges



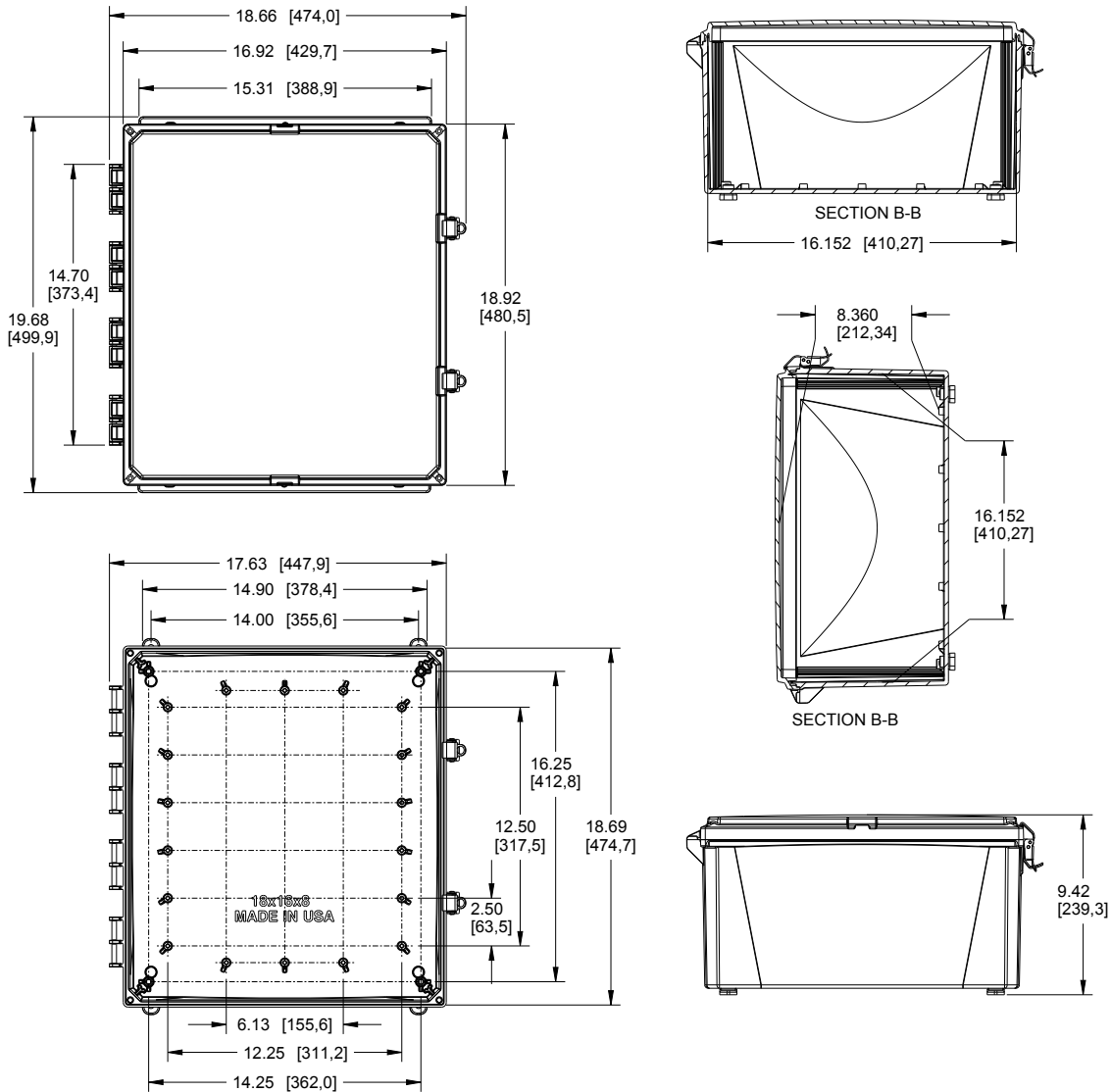
Mechanical & Thermal	Test Spec.	Unit	Rating
Instrumented Dart Impact @ 73° F	-	in-lbs	565
Falling Ball Impact @ 73° F	UL-746	in-lbs	900
Deflection Temperature @ 264 psi	ASTM D648	Deg. F	270
Modulus of Elasticity	ASTM D790	ksi	340
Temperature Range	-	Deg. F	-40 to 265
Flame Rating - UL	UL 94	-	5VA
Outdoor UV Exposure	UL	-	f1

Part Number	4X IP66	6P IP68	Hinged Cover	Screw Cover	Opaque Cover	Clear Cover	Mounting Feet	Mounting Flange	Stainless Steel Locking Latch	Non-Metallic Locking Latch
H181608S	✓	✓		✓	✓		✓			
H181608SC	✓	✓		✓		✓	✓			
H181608SF	✓	✓		✓	✓			✓		
H181608SCF	✓	✓		✓		✓		✓		
H181608H	✓		✓	✓	✓		✓			
H181608HC	✓		✓	✓		✓	✓			
H181608HF	✓		✓	✓	✓			✓		
H181608HCF	✓		✓	✓		✓		✓		
★ H181608HLL	✓		✓		✓		✓		✓	
★ H181608HCLL	✓		✓			✓	✓		✓	
H181608HFLL	✓		✓		✓			✓	✓	
H181608HCFL	✓		✓			✓		✓	✓	
H181608HNL	✓		✓		✓		✓			✓
H181608HCNL	✓		✓			✓	✓			✓
H181608HFNL	✓		✓		✓			✓		✓
H181608HCFNL	✓		✓			✓		✓		✓
H181608H-6P	✓	✓	✓	✓	✓		✓			
H181608HC-6P	✓	✓	✓	✓		✓	✓			
H181608HF-6P	✓	✓	✓	✓	✓			✓		
H181608HCF-6P	✓	✓	✓	✓		✓		✓		

★ **POPULAR CONFIGURATIONS:** Most popular configurations are available for *QuickShip*. Please send requests to [customerservice@integraenclosures.com](mailto:customerservice@integraenclosures.com) to take advantage of our *QuickShip* option.



# 18X16X8 PREMIUM LINE



[Bracketed dimensions in mm]

## TORQUE SPECIFICATIONS:







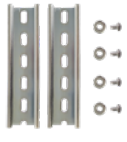

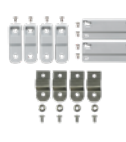
**Mounting Feet** - 1/4"-20 x 0.5" SS countersunk Phillips drive screws (torque limit = 32 in lbs)

**Covers/Doors** - #10-32 x 0.75" SS pan Phillips drive screws (torque limit = 10 in lbs)

**Panels** - #10-32 x 0.375" pan Phillips drive screws (torque limit = 10-15 in lbs)

Register online to download detailed drawing files at [www.integraenclosures.com](http://www.integraenclosures.com)

## Accessories for 18x16x8 (For complete accessories, see pages 81-85)

 <p><b>Back Panels</b>  <b>ABP1816</b> - Aluminum panel  <b>SBP1816</b> - Steel panel  <b>PVCBP1816</b> - PVC panel</p>	 <p><b>Aluminum Swing Panel Kits</b>  <b>ABP-1816-USOPK</b> - Complete kit  <b>ABP-1816USP</b> - Panel only  <b>USOPK</b> - Hardware only</p>	 <p><b>Back Panel Adjustment Kit</b>  <b>BPAKG</b> - Gray, Set Screw  <b>BPAKB</b> - Black, Set Screw  <b>UBPAKG</b> - Gray, Thumb Screw  <b>UBPAKB</b> - Black Thumb Screw</p>
 <p><b>Air Vents / Fan Shrouds</b>  <b>VENT 3</b> - Aluminum louvered  <b>VENT 2</b> - Outdoor labyrinth  <b>FS KIT1</b> - 1 piece kit  <b>FS KIT2</b> - 2 piece kit</p>	 <p><b>Steel Swing Panel Kits</b>  <b>SBP-1816-USOPK</b> - Complete kit  <b>SBP-1816USP</b> - Panel only  <b>USOPK</b> - Hardware only</p>	 <p><b>Cord Grips</b>  IP68/NEMA 4X/6P rated  See page 78 for more details and part numbers.</p>
 <p><b>Din Rail</b>  <b>DIN 16</b> - 2 rails, 4 screws</p>	 <p><b>Pole Mounting Kit</b>  <b>PMKG-216</b> - 2" pole  <b>PMKG-316</b> - 3" pole  <b>PMKG-416</b> - 4" pole  <b>PMKG-1216</b> - 12" pole</p>	 <p><b>Mounting Feet &amp; Flange Kits</b>  <b>MFKG</b> - Premium line feet  <b>MFKSS</b> - Stainless steel feet  <b>MFLK16</b> - 16" Flange kit</p>



# 18X16X10 PREMIUM SERIES



Mounting Feet

Mounting Flanges



## Features & Benefits

- **Quality material** – bases, opaque covers and clear covers are all made of high-impact, UV resistant polycarbonate.
- **Flexible interior mounting** – features the unique and patented Integra adjustable depth “T-Rail” back panel mounting system (back panel and adjustable brackets sold separately).
- **Wide range** of sizes, configurations and accessories provides capabilities for every application.
- **Brass inserts** – in corner bosses for easy component installation.
- **Standard color** – light gray with a gloss finish.
- **UL-50 / c-UL Listed** (files # E229365, # E207562)

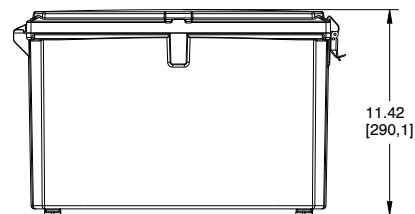
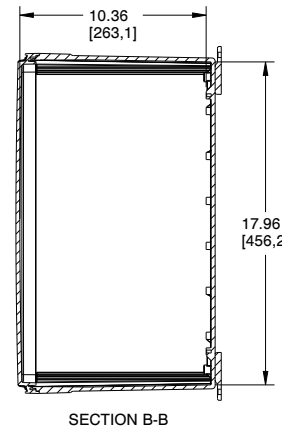
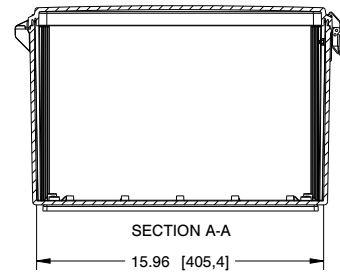
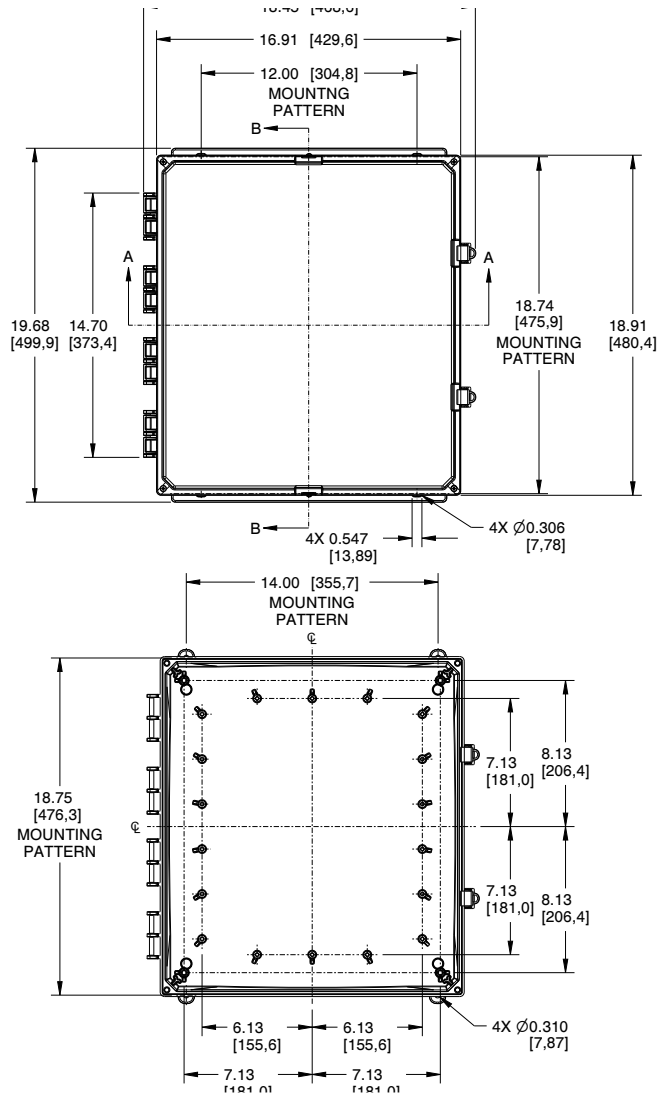
Mechanical & Thermal	Test Spec.	Unit	Rating
Instrumented Dart Impact @ 73° F	-	in-lbs	565
Falling Ball Impact @ 73° F	UL-746	in-lbs	900
Deflection Temperature @ 264 psi	ASTM D648	Deg. F	270
Modulus of Elasticity	ASTM D790	ksi	340
Temperature Range	-	Deg. F	-40 to 265
Flame Rating - UL	UL 94	-	5VA
Outdoor UV Exposure	UL	-	f1

Part Number	4X IP66	6P IP68	Hinged Cover	Screw Cover	Opaque Cover	Clear Cover	Mounting Feet	Mounting Flange	Stainless Steel Locking Latch	Non-Metallic Locking Latch
H181610S	✓	✓		✓	✓		✓			
H181610SC	✓	✓		✓		✓	✓			
H181610SF	✓	✓		✓	✓			✓		
H181610SCF	✓	✓		✓		✓		✓		
H181610H	✓		✓	✓	✓		✓			
H181610HC	✓		✓	✓		✓	✓			
H181610HF	✓		✓	✓	✓			✓		
H181610HCF	✓		✓	✓		✓		✓		
★ H181610HLL	✓		✓		✓		✓		✓	
★ H181610HCLL	✓		✓			✓	✓		✓	
H181610HFLL	✓		✓		✓			✓	✓	
H181610HCFL	✓		✓			✓		✓	✓	
H181610HNL	✓		✓		✓		✓			✓
H181610HCNL	✓		✓			✓	✓			✓
H181610HFNL	✓		✓		✓			✓		✓
H181610HCFNL	✓		✓			✓		✓		✓
H181610H-6P	✓	✓	✓	✓	✓		✓			
H181610HC-6P	✓	✓	✓	✓		✓	✓			
H181610HF-6P	✓	✓	✓	✓	✓			✓		
H181610HCF-6P	✓	✓	✓	✓		✓		✓		

★ **POPULAR CONFIGURATIONS:** Most popular configurations are available for *QuickShip*. Please send requests to [customerservice@integraenclosures.com](mailto:customerservice@integraenclosures.com) to take advantage of our *QuickShip* option.



# 18X16X10 PREMIUM SERIES



### TORQUE SPECIFICATIONS:

**Mounting Feet** - 1/4"-20 x 0.5" SS countersunk Phillips drive screws (torque limit = 32 in lbs)

**Covers/Doors** - #10-32 x 0.75" SS pan Phillips drive screws (torque limit = 10 in lbs)

**Panels** - #10-32 x 0.375" pan Phillips drive screws (torque limit = 10-15 in lbs)

*[Bracketed dimensions in mm]*

Register online to download detailed drawing files at [www.integraenclosures.com](http://www.integraenclosures.com)

## Accessories for 18x16x10 (For complete accessories, see pages 81-85)



### Back Panels

- ABP1816** - Aluminum panel
- SBP1816** - Steel panel
- PVCBP1816** - PVC panel



### Aluminum Swing Panel Kits

- ABP-1816-USOPK** - Complete kit
- ABP-1816USP** - Panel only
- USOPK** - Hardware only



### Back Panel Adjustment Kit

- BPAKG** - Gray, Set Screw
- BPAKB** - Black, Set Screw
- UBPAKG** - Gray, Thumb Screw
- UBPAKB** - Black Thumb Screw



### Air Vents / Fan Shrouds

- VENT 3** - Aluminum louvered
- VENT 2** - Outdoor labyrinth
- FS KIT1** - 1 piece kit
- FS KIT2** - 2 piece kit



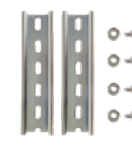
### Steel Swing Panel Kits

- SBP-1816-USOPK** - Complete kit
- SBP-1816USP** - Panel only
- USOPK** - Hardware only



### Cord Grips

IP68/NEMA 4X/6P rated  
See page 78 for more details and part numbers.



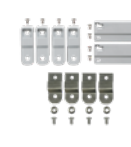
### Din Rail

- DIN 16** - 2 rails, 4 screws



### Pole Mounting Kit

- PMKG-216** - 2" pole
- PMKG-316** - 3" pole
- PMKG-416** - 4" pole
- PMKG-1216** - 12" pole



### Mounting Feet & Flange Kits

- MFKG** - Premium line feet
- MFKSS** - Stainless steel feet
- MFLK16** - 16" Flange kit



## IMPACT<sup>®</sup> SERIES OVERVIEW

### ■ 900 in-lbs. Impact Resistance

Polycarbonate is known for its high impact resistance and that is why we chose to use it as the material for our Impact series enclosures.

### ■ Wide Operating Temperature Range

Polycarbonate is stable and holds its tensile strength better than other non-metallic materials over a temperature range from -40 deg F to 265 deg F.

### ■ EZ Hinge or Low Profile Hinge

Integra's standard EZ hinges allow easy door removal or replacement while permitting a full 225-degree door swing. The new low profile hinge is not removable but provides a cleaner look to the enclosure.

### ■ Integrated Flanges

All Impact<sup>®</sup> series enclosures have mounting flanges moulded directly into the base. This offers a cleaner design and saves you time on installation.

### ■ 100% Metal Free

Our integrated or nonmetallic latch options, along with our trademarked EZ hinge, offers a 100% metal free enclosure, which is ideal for housing radio signal or wifi devices.

### ■ Advanced Face Plate System

Easy to install face plates and swing panels allow you to maximize your enclosure space, and save time doing it! (not available on 9x8x2)

### ■ Molded in Mounting Bosses

All of the Impact<sup>®</sup> line enclosures have extra mounting bosses molded into the rear wall to permit #8 (for 4x4x3 to 8x6x3) and #10 (for 9x8x2 to 12x10x4) self-tapping screws to secure din rail, circuit board, or any other device or component into the enclosure.

### ■ Multiple Latch Options

Impact<sup>®</sup> series enclosures have an integrated latch option that is moulded directly into the lid for easy use and NEMA 6P rating. You can also choose Integra's non-metallic or stainless steel locking latches.

### ■ Modifications

Full modifications services are available at Integra, including machining holes for displays, cable connectors, multi pin connectors, antennae, etc. Call us to discuss your unique requirements.

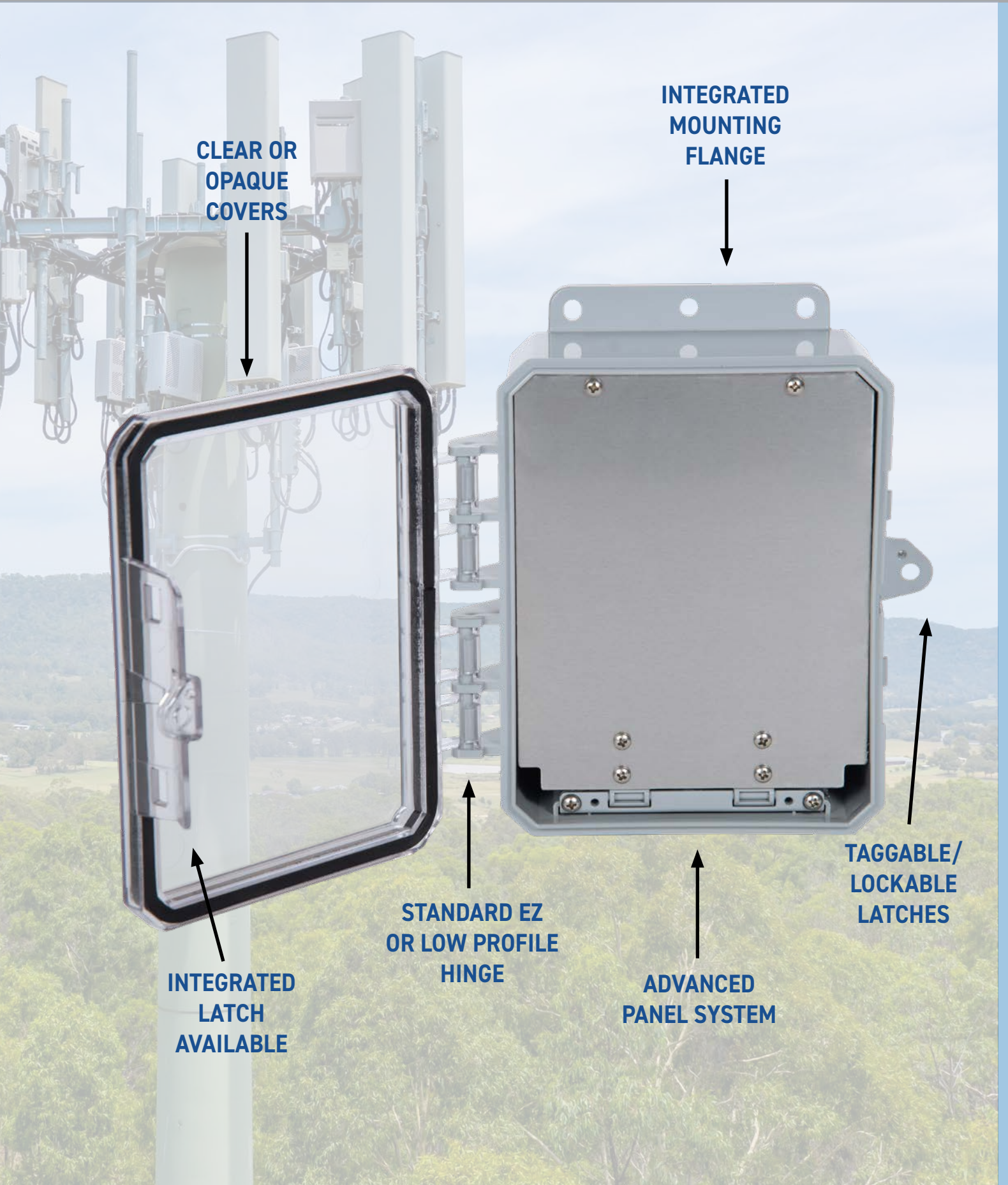
### ■ Customization

Custom colors, custom back panels, silk screening, sub assembly of your product, or any other tailoring of our product to your need is our job. (Minimums may apply)

### ■ Packaging

Standard packaging is one unit per carton, packed to ensure safe delivery to your location. If you have any special requirements for shipping, call us and we can work to meet your requirements.





**CLEAR OR  
OPAQUE  
COVERS**

**INTEGRATED  
MOUNTING  
FLANGE**

**INTEGRATED  
LATCH  
AVAILABLE**

**STANDARD EZ  
OR LOW PROFILE  
HINGE**

**ADVANCED  
PANEL SYSTEM**

**TAGGABLE/  
LOCKABLE  
LATCHES**





## Features & Benefits

- **Quality material** – bases, opaque covers and clear covers are all made of high-impact, UV resistant polycarbonate.
- **Frequency friendly** – 100% metal free configurations available which is extremely favorable for sending and receiving wireless signals.
- **Easy installation** – with molded mounting flanges, so no extra hardware is needed.
- **Flexible interior mounting** – bosses on rear wall and lid of opaque enclosure provide multiple mounting options for DIN rail, back panels, or other components.
- **Standard color** – light gray with a gloss finish.
- **UL-50 / c-UL Listed** (file # E207562)

Mechanical & Thermal	Test Spec.	Unit	Rating
Instrumented Dart Impact @ 73° F	-	in-lbs	565
Falling Ball Impact @ 73° F	UL-746	in-lbs	900
Deflection Temperature @ 264 psi	ASTM D648	Deg. F	270
Modulus of Elasticity	ASTM D790	ksi	340
Temperature Range	-	Deg. F	-40 to 265
Flame Rating - UL	UL 94	-	5VA
Outdoor UV Exposure	UL	-	f1

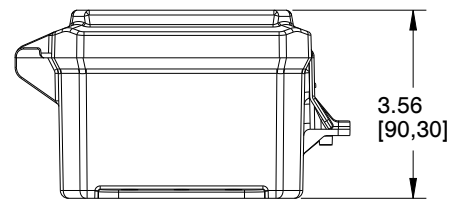
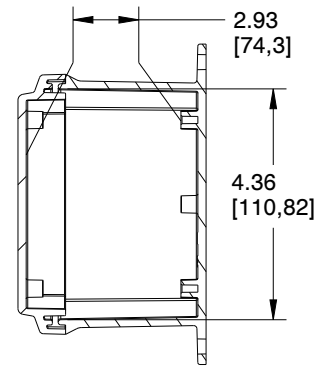
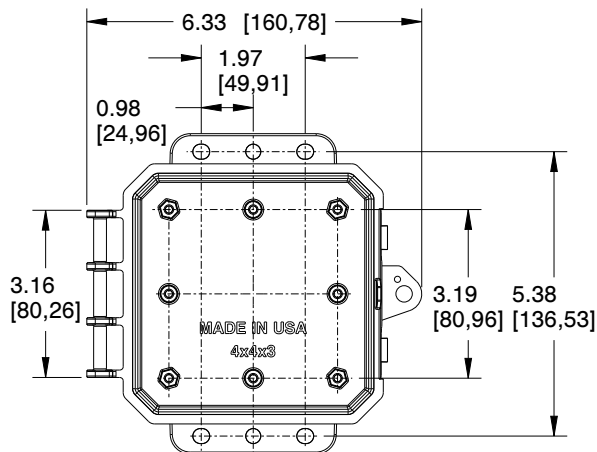
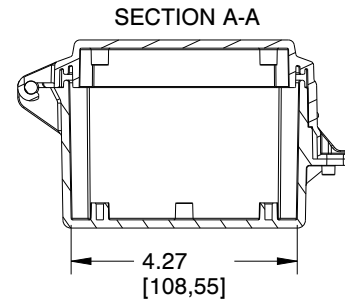
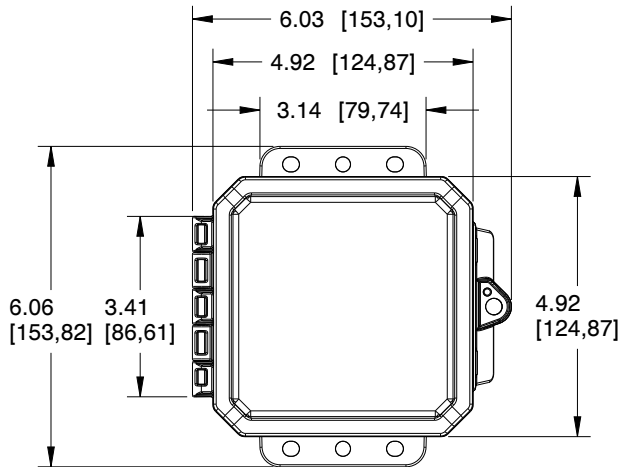


	Part Number	4X IP66	6P IP68	Standard Hinge	Low Profile Hinge	Opaque Cover	Clear Cover	Integrated Mounting Flange	Integrated Locking Latch	Stainless Steel Locking Latch	Non-Metallic Locking Latch
★	P4043	✓	✓	✓		✓		✓	✓		
★	P4043C	✓	✓	✓			✓	✓	✓		
	P4043LL	✓				✓		✓		✓	
	P4043CLL	✓					✓	✓		✓	
	P4043LP	✓	✓		✓	✓		✓	✓		
	P4043LPC	✓	✓		✓		✓	✓	✓		
	P4043LPLL	✓			✓	✓		✓		✓	
	P4043LPCLL	✓			✓		✓	✓		✓	
	P4043NL	✓		✓		✓		✓			✓
	P4043CNL	✓		✓			✓	✓			✓
	P4043LPNL	✓			✓	✓		✓			✓
	P4043LPCNL	✓			✓		✓	✓			✓

★ **POPULAR CONFIGURATIONS:** Most popular configurations are available for *QuickShip*. Please send requests to [customerservice@integraenclosures.com](mailto:customerservice@integraenclosures.com) to take advantage of our *QuickShip* option.



# 4X4X3 IMPACT<sup>®</sup> LINE



[Bracketed dimensions in mm]

## TORQUE SPECIFICATIONS:

**Panels** - #8 thread cutter pan head 18-8 SS (torque limit = 8 in lbs)

Register online to download detailed drawing files at [www.integraenclosures.com](http://www.integraenclosures.com)

## Accessories for 4x4x3 (For complete accessories, see pages 86-89)



### Back Panels

**ABP44-IMP** - Aluminum panel  
**SBP44-IMP** - Steel panel  
**PVCBP44-IMP** - PVC panel



### Aluminum Face Plate System

**AFP44-IMP** - Aluminum face panel only  
**AFP44-IMP** - Aluminum face panel only  
**AFP44-IMP** - Aluminum face panel only



### Face Plate Support Kit

**CB43-IMP** - Support kit contains 4 support panels and 8 screws.



### Air Vents

**VENT 3** - Aluminum louvered  
**VENT 2** - Outdoor labyrinth



### Steel Face Plate System

**SFP44-IMP** - Steel face panel only  
**SFP44-IMP** - Steel face panel only  
**SFP44-IMP** - Steel face panel only



### Hole Plugs

Liquid tight thru plugs  
 IP67 and UL rated  
 See page 78 for more details.



### Din Rail

**DIN 4-IMP** - 2 rails, 4 screws



### Pole Mounting Kit

**PMKG-24-IMP** - 2" pole  
**PMKG-34-IMP** - 3" pole  
**PMKG-44-IMP** - 4" pole  
**PMKG-124-IMP** - 12" pole



### Cord Grips

IP68/NEMA 4X/6P rated  
 See page 78 for more details.



## Features & Benefits

- **Quality material** – bases, opaque covers and clear covers are all made of high-impact, UV resistant polycarbonate.
- **Frequency friendly** – 100% metal free configurations available which is extremely favorable for sending and receiving wireless signals.
- **Easy installation** – with molded mounting flanges, so no extra hardware is needed.
- **Flexible interior mounting** – bosses on rear wall and lid of opaque enclosure provide multiple mounting options for DIN rail, back panels, or other components.
- **Standard color** – light gray with a gloss finish.
- **UL-50 / c-UL Listed** (file # E207562)

Mechanical & Thermal	Test Spec.	Unit	Rating
Instrumented Dart Impact @ 73° F	-	in-lbs	565
Falling Ball Impact @ 73° F	UL-746	in-lbs	900
Deflection Temperature @ 264 psi	ASTM D648	Deg. F	270
Modulus of Elasticity	ASTM D790	ksi	340
Temperature Range	-	Deg. F	-40 to 265
Flame Rating - UL	UL 94	-	5VA
Outdoor UV Exposure	UL	-	f1

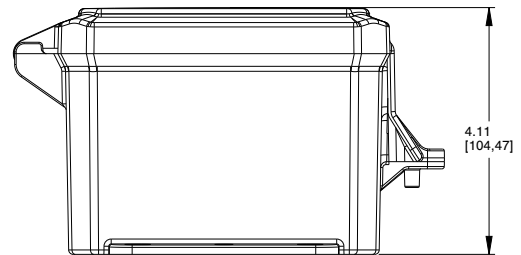
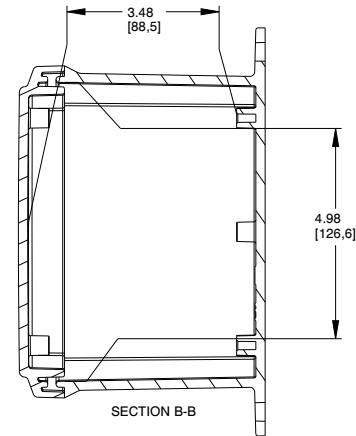
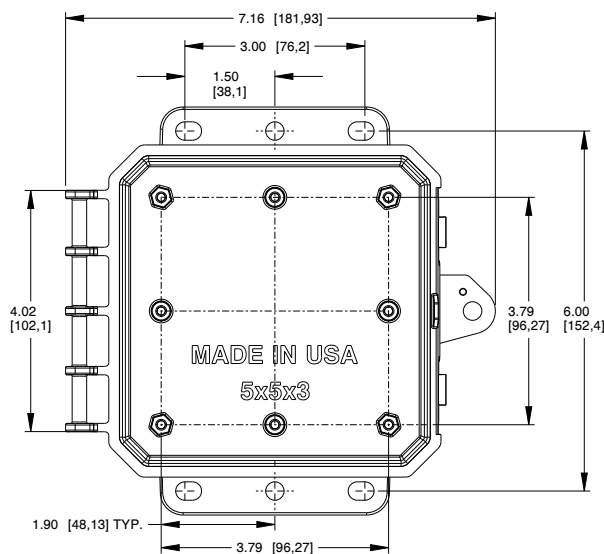
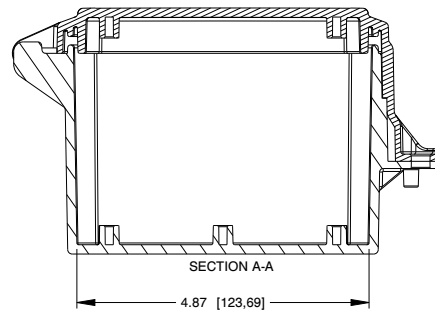
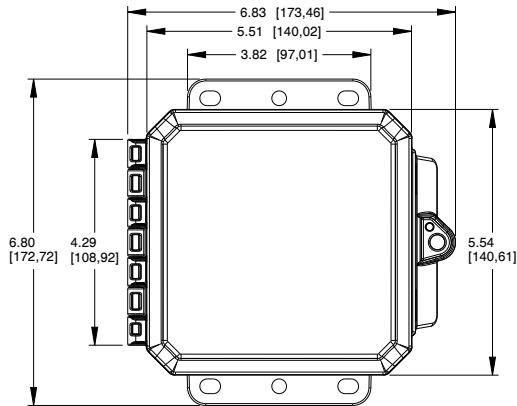


Part Number	4X IP66	6P IP68	Standard Hinge	Low Profile Hinge	Opaque Cover	Clear Cover	Integrated Mounting Flange	Integrated Locking Latch	Stainless Steel Locking Latch	Non-Metallic Locking Latch
★ P5053	✓	✓	✓		✓		✓	✓		
★ P5053C	✓	✓	✓			✓	✓	✓		
P5053LL	✓				✓		✓		✓	
P5053CLL	✓					✓	✓		✓	
P5053LP	✓	✓		✓	✓		✓	✓		
P5053LPC	✓	✓		✓		✓	✓	✓		
P5053LPLL	✓			✓	✓		✓		✓	
P5053LPCLL	✓			✓		✓	✓		✓	
P5053NL	✓		✓		✓		✓			✓
P5053CNL	✓		✓			✓	✓			✓
P5053LPNL	✓			✓	✓		✓			✓
P5053LPCNL	✓			✓		✓	✓			✓

★ **POPULAR CONFIGURATIONS:** Most popular configurations are available for *QuickShip*. Please send requests to [customerservice@integraenclosures.com](mailto:customerservice@integraenclosures.com) to take advantage of our *QuickShip* option.



# 5X5X3 IMPACT® SERIES



[Bracketed dimensions in mm]

Register online to download detailed drawing files at [www.integraenclosures.com](http://www.integraenclosures.com)

## TORQUE SPECIFICATIONS:

**Panels** - #8 thread cutter pan head 18-8 SS (torque limit = 8 in lbs)

## Accessories for 5x5x3 (For complete accessories, see pages 86-89)



### Back Panels

**ABP55-IMP** - Aluminum panel  
**SBP55-IMP** - Steel panel  
**PVCBP55-IMP** - PVC panel



### Aluminum Face Plate System

**AFP55-IMP** - Aluminum face plate and FPSK-55 mounting kit  
**AFP55-IMP** - Aluminum face panel only



### Face Plate Support Kit

**CB53-IMP** - Support kit contains 4 support panels and 8 screws.



### Air Vents

**VENT 3** - Aluminum louvered  
**VENT 2** - Outdoor labyrinth



### Steel Face Plate System

**SFP55-IMP** - Steel face plate and FPSK-55 mounting kit  
**SFP55-IMP** - Steel face panel only



### Hole Plugs

Liquid tight thru plugs  
 IP67 and UL rated  
 See page 78 for more details.



### Din Rail

**DIN 5-IMP** - 2 rails, 4 screws



### Pole Mounting Kit

**PMKG-25-IMP** - 2" pole  
**PMKG-35-IMP** - 3" pole  
**PMKG-45-IMP** - 4" pole  
**PMKG-125-IMP** - 12" pole



### Cord Grips

IP68/NEMA 4X/6P rated  
 See page 78 for more details.



# 6X4X4 IMPACT<sup>®</sup> SERIES



## Features & Benefits

- **Quality material** – bases, opaque covers and clear covers are all made of high-impact, UV resistant polycarbonate.
- **Frequency friendly** – 100% metal free configurations available which is extremely favorable for sending and receiving wireless signals.
- **Easy installation** – with molded mounting flanges, so no extra hardware is needed.
- **Flexible interior mounting** – bosses on rear wall and lid of opaque enclosure provide multiple mounting options for DIN rail, back panels, or other components.
- **Standard color** – light gray with a gloss finish.
- **UL-50 / c-UL Listed** (file # E207562)

Mechanical & Thermal	Test Spec.	Unit	Rating
Instrumented Dart Impact @ 73° F	-	in-lbs	565
Falling Ball Impact @ 73° F	UL-746	in-lbs	900
Deflection Temperature @ 264 psi	ASTM D648	Deg. F	270
Modulus of Elasticity	ASTM D790	ksi	340
Temperature Range	-	Deg. F	-40 to 265
Flame Rating - UL	UL 94	-	5VA
Outdoor UV Exposure	UL	-	f1

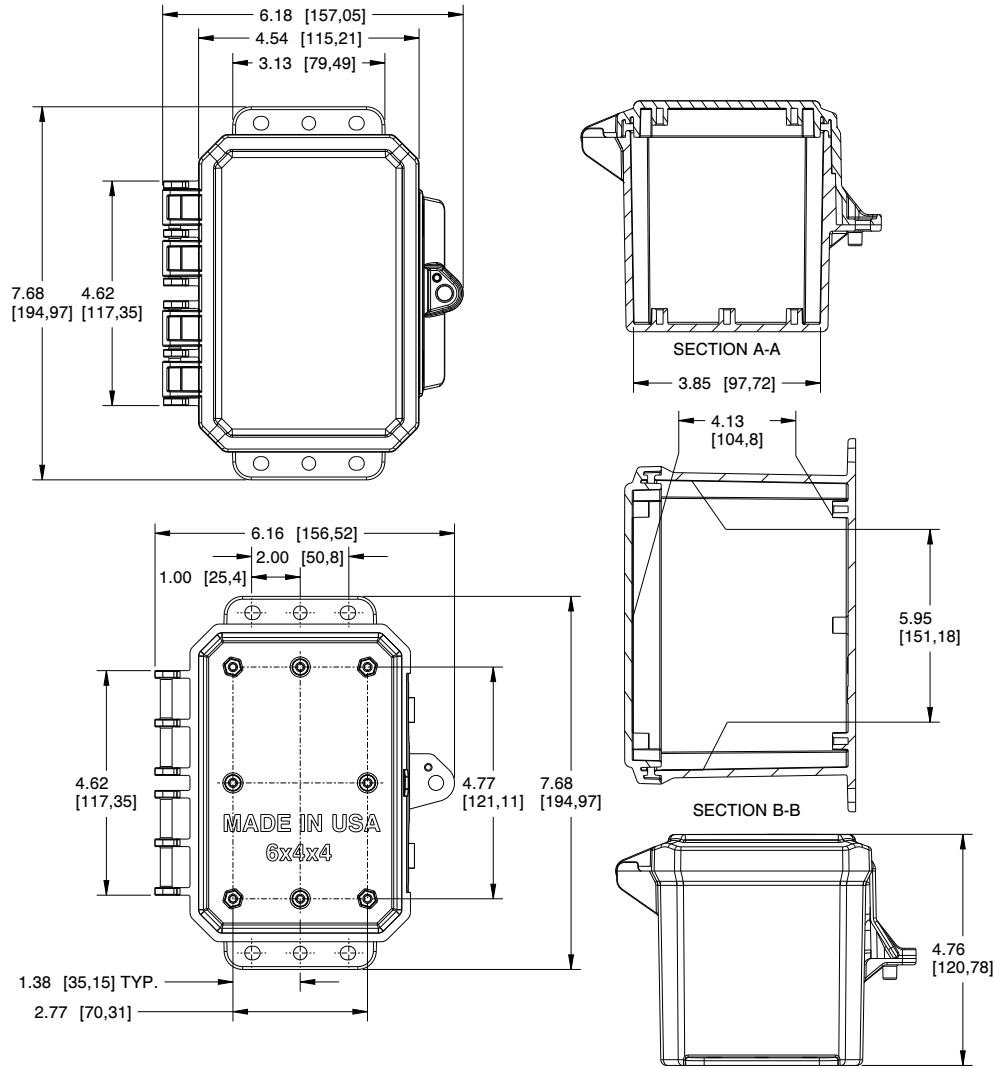


	Part Number	4X IP66	6P IP68	Standard Hinge	Low Profile Hinge	Opaque Cover	Clear Cover	Integrated Mounting Flange	Integrated Locking Latch	Stainless Steel Locking Latch	Non-Metallic Locking Latch
★	P6044	✓	✓	✓		✓		✓	✓		
★	P6044C	✓	✓	✓			✓	✓	✓		
	P6044LL	✓				✓		✓		✓	
	P6044CLL	✓					✓	✓		✓	
	P6044LP	✓	✓		✓	✓		✓	✓		
	P6044LPC	✓	✓		✓		✓	✓	✓		
	P6044LPLL	✓			✓	✓		✓		✓	
	P6044LPCLL	✓			✓		✓	✓		✓	
	P6044NL	✓		✓		✓		✓			✓
	P6044CNL	✓		✓			✓	✓			✓
	P6044LPNL	✓			✓	✓		✓			✓
	P6044LPCNL	✓			✓		✓	✓			✓

★ **POPULAR CONFIGURATIONS:** Most popular configurations are available for *QuickShip*. Please send requests to [customerservice@integraenclosures.com](mailto:customerservice@integraenclosures.com) to take advantage of our *QuickShip* option.



# 6X4X4 IMPACT<sup>®</sup> SERIES



[Bracketed dimensions in mm]

## TORQUE SPECIFICATIONS:

**Panels** - #8 thread cutter pan head 18-8 SS (torque limit = 8 in lbs)

Register online to download detailed drawing files at [www.integraenclosures.com](http://www.integraenclosures.com)

## Accessories for 6x4x4 (For complete accessories, see pages 86-89)



### Back Panels

**ABP64-IMP** - Aluminum panel  
**SBP64-IMP** - Steel panel  
**PVCBP64-IMP** - PVC panel



### Aluminum Face Plate System

**AFP64-IMP** - Aluminum face plate and FPSK-64 mounting kit  
**AFP64-IMP** - Aluminum face panel only



### Face Plate Support Kit

**CB64-IMP** - Support kit contains 4 support panels and 8 screws.



### Air Vents

**VENT 3** - Aluminum louvered  
**VENT 2** - Outdoor labyrinth



### Steel Face Plate System

**SFP64-IMP** - Steel face plate and FPSK-64 mounting kit  
**SFP64-IMP** - Steel face panel only



### Hole Plugs

Liquid tight thru plugs  
 IP67 and UL rated  
 See page 78 for more details.



### Din Rail

**DIN 6-IMP** - 2 rails, 4 screws



### Pole Mounting Kit

**PMKG-26-IMP** - 2" pole  
**PMKG-36-IMP** - 3" pole  
**PMKG-46-IMP** - 4" pole  
**PMKG-126-IMP** - 12" pole



### Cord Grips

IP68/NEMA 4X/6P rated  
 See page 78 for more details.



## Features & Benefits

- **Quality material** – bases, opaque covers and clear covers are all made of high-impact, UV resistant polycarbonate.
- **Frequency friendly** – 100% metal free configurations available which is extremely favorable for sending and receiving wireless signals.
- **Advanced face plate system** – bosses on rear wall and lid of opaque enclosure provide multiple mounting options for DIN rail, back panels, and other components.
- **Easy installation** – with molded mounting flanges, so no extra hardware is needed.
- **Flexible interior mounting** – bosses on rear wall and lid of opaque enclosure provide multiple mounting options for DIN rail, back panels, or other components.
- **Standard color** – light gray with a gloss finish.
- **UL-50 / c-UL Listed** (file # E207562)

Mechanical & Thermal	Test Spec.	Unit	Rating
Instrumented Dart Impact @ 73° F	-	in-lbs	565
Falling Ball Impact @ 73° F	UL-746	in-lbs	900
Deflection Temperature @ 264 psi	ASTM D648	Deg. F	270
Modulus of Elasticity	ASTM D790	ksi	340
Temperature Range	-	Deg. F	-40 to 265
Flame Rating - UL	UL 94	-	5VA
Outdoor UV Exposure	UL	-	f1

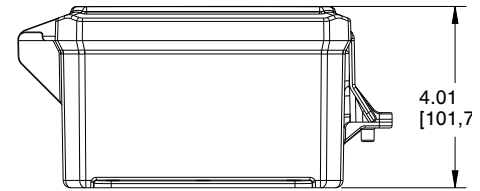
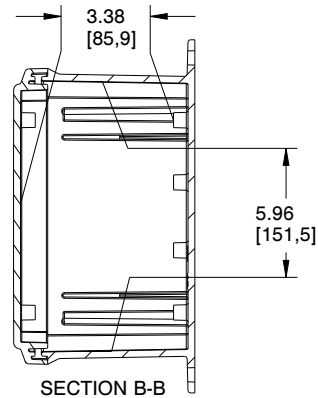
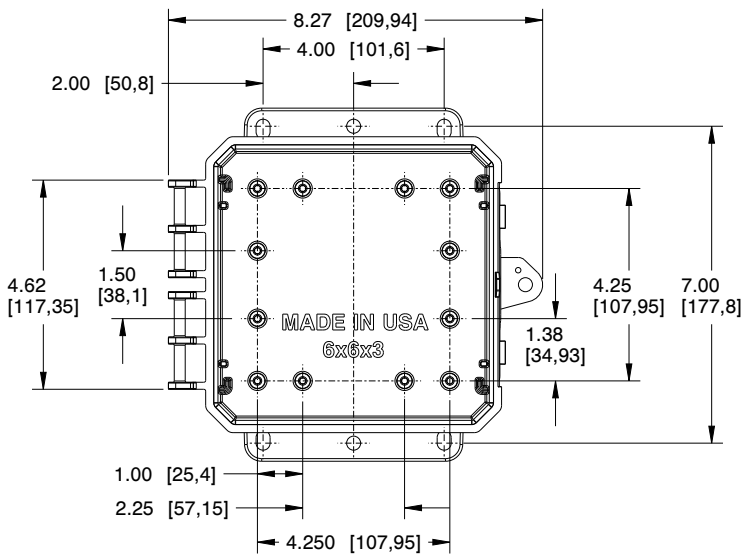
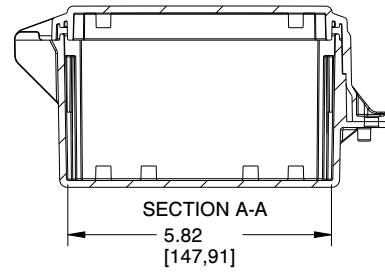
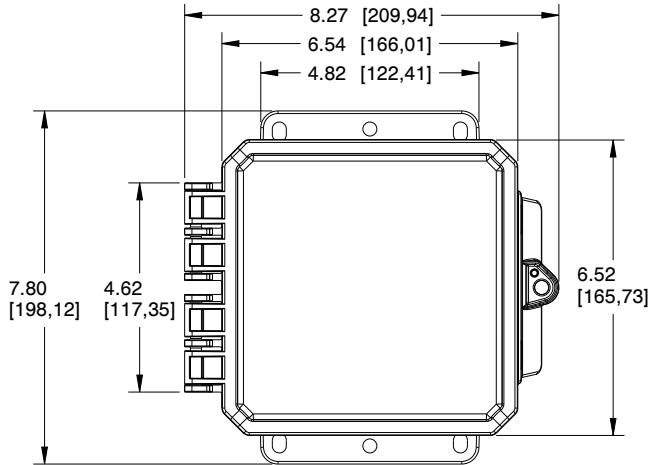


	Part Number	4X IP66	6P IP68	Standard Hinge	Low Profile Hinge	Opaque Cover	Clear Cover	Integrated Mounting Flange	Integrated Locking Latch	Stainless Steel Locking Latch	Non-Metallic Locking Latch
★	P6063	✓	✓	✓		✓		✓	✓		
★	P6063C	✓	✓	✓			✓	✓	✓		
	P6063LL	✓				✓		✓		✓	
	P6063CLL	✓					✓	✓		✓	
	P6063LP	✓	✓		✓	✓		✓	✓		
	P6063LPC	✓	✓		✓		✓	✓	✓		
	P6063LPLL	✓			✓	✓		✓		✓	
	P6063LPCLL	✓			✓		✓	✓		✓	
	P6063NL	✓		✓		✓		✓			✓
	P6063CNL	✓		✓			✓	✓			✓
	P6063LPNL	✓			✓	✓		✓			✓
	P6063LPCNL	✓			✓		✓	✓			✓

★ **POPULAR CONFIGURATIONS:** Most popular configurations are available for *QuickShip*. Please send requests to [customerservice@integraenclosures.com](mailto:customerservice@integraenclosures.com) to take advantage of our *QuickShip* option.



# 6X6X3 IMPACT® SERIES



[Bracketed dimensions in mm]

## TORQUE SPECIFICATIONS:

**Panels** - #8 thread cutter pan head 18-8 SS (torque limit = 8 in lbs)

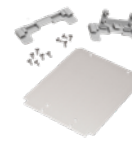
Register online to download detailed drawing files at [www.integraenclosures.com](http://www.integraenclosures.com)

## Accessories for 6x6x3 (For complete accessories, see pages 86-89)



### Back Panels

- ABP66-IMP** - Aluminum panel
- SBP66-IMP** - Steel panel
- PVCBP66-IMP** - PVC panel



### Aluminum Swing Panel Kits

- ASWPK66-IMP** - Aluminum swing panel and SOPK-IMP mounting kit
- ASWP66-IMP** - Panel only
- SOPK66-86-IMP** - Rigid brackets, pivot bracket & self-tapping screws



### Aluminum Face Plate System

- AFPK66-IMP** - Aluminum face plate and SOPK-IMP mounting kit
- AFP66-IMP** - Panel only
- SOPK66-86-IMP** - Rigid brackets, pivot bracket & self-tapping screws



### Air Vents

- VENT 3** - Aluminum louvered
- VENT 2** - Outdoor labyrinth



### Steel Swing Panel Kits

- SSWPK66-IMP** - Steel swing panel and SOPK-IMP mounting kit
- SSWP66-IMP** - Panel only
- SOPK66-86-IMP** - Rigid brackets, pivot bracket & self-tapping screws



### Steel Face Plate System

- SFPK66-IMP** - Steel face plate and SOPK-IMP mounting kit
- SFP66-IMP** - Panel only
- SOPK66-86-IMP** - Rigid brackets, pivot bracket & self-tapping screws



### Din Rail

- DIN 6-IMP** - 2 rails, 4 screws



### Pole Mounting Kit

- PMKG-26-IMP** - 2" pole
- PMKG-36-IMP** - 3" pole
- PMKG-46-IMP** - 4" pole
- PMKG-126-IMP** - 12" pole



### Cord Grips

- IP68/NEMA 4X/6P rated**
- See page 78 for more details.



# 8X6X3 IMPACT® SERIES



## Features & Benefits

- **Quality material** – bases, opaque covers and clear covers are all made of high-impact, UV resistant polycarbonate.
- **Frequency friendly** – 100% metal free configurations available which is extremely favorable for sending and receiving wireless signals.
- **Advanced face plate system** – bosses on rear wall and lid of opaque enclosure provide multiple mounting options for DIN rail, back panels, and other components.
- **Easy installation** – with molded mounting flanges, so no extra hardware is needed.
- **Flexible interior mounting** – bosses on rear wall and lid of opaque enclosure provide multiple mounting options for DIN rail, back panels, or other components.
- **Standard color** – light gray with a gloss finish.
- **UL-50 / c-UL Listed** (file # E207562)

Mechanical & Thermal	Test Spec.	Unit	Rating
Instrumented Dart Impact @ 73° F	-	in-lbs	565
Falling Ball Impact @ 73° F	UL-746	in-lbs	900
Deflection Temperature @ 264 psi	ASTM D648	Deg. F	270
Modulus of Elasticity	ASTM D790	ksi	340
Temperature Range	-	Deg. F	-40 to 265
Flame Rating - UL	UL 94	-	5VA
Outdoor UV Exposure	UL	-	f1

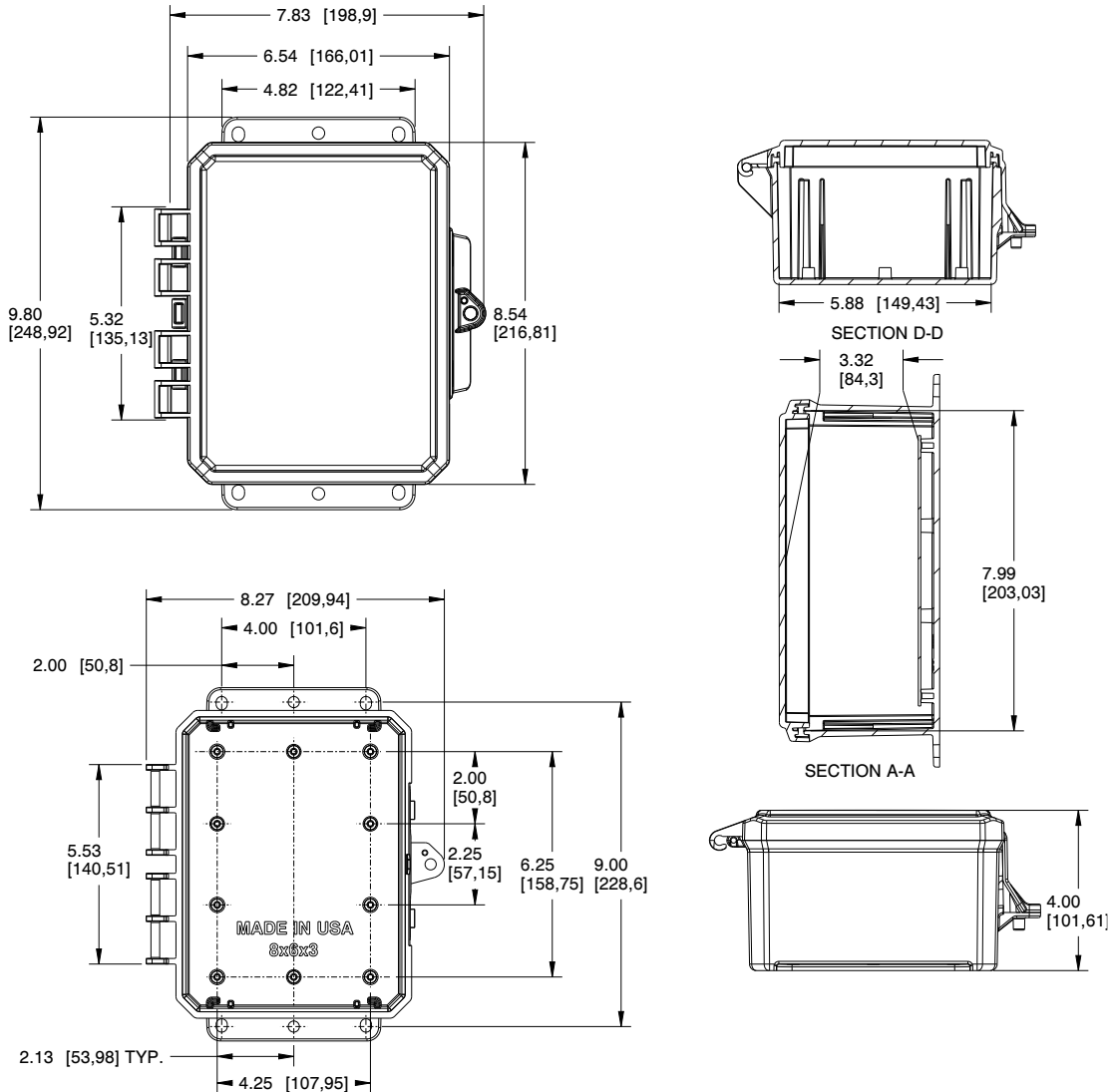


Part Number	4X IP66	6P IP68	Standard Hinge	Low Profile Hinge	Opaque Cover	Clear Cover	Integrated Mounting Flange	Integrated Locking Latch	Stainless Steel Locking Latch	Non-Metallic Locking Latch
★ P8063	✓	✓	✓		✓		✓	✓		
★ P8063C	✓	✓	✓			✓	✓	✓		
P8063LL	✓				✓		✓		✓	
P8063CLL	✓					✓	✓		✓	
P8063LP	✓	✓		✓	✓		✓	✓		
P8063LPC	✓	✓		✓		✓	✓	✓		
P8063LPLL	✓			✓	✓		✓		✓	
P8063LPCLL	✓			✓		✓	✓		✓	
P8063NL	✓		✓		✓		✓			✓
P8063CNL	✓		✓			✓	✓			✓
P8063LPNL	✓			✓	✓		✓			✓
P8063LPCNL	✓			✓		✓	✓			✓

★ **POPULAR CONFIGURATIONS:** Most popular configurations are available for *QuickShip*. Please send requests to [customerservice@integraenclosures.com](mailto:customerservice@integraenclosures.com) to take advantage of our *QuickShip* option.



# 8X6X3 IMPACT® SERIES



[Bracketed dimensions in mm]

## TORQUE SPECIFICATIONS:

**Panels** - #8 thread cutter pan head 18-8 SS (torque limit = 8 in lbs)

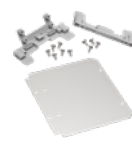
Register online to download detailed drawing files at [www.integraenclosures.com](http://www.integraenclosures.com)

## Accessories for 8x6x3 (For complete accessories, see pages 86-89)



### Back Panels

**ABP86-IMP** - Aluminum panel  
**SBP86-IMP** - Steel panel  
**PVCBP86-IMP** - PVC panel



### Aluminum Swing Panel Kits

**ASWPK86-IMP** - Aluminum swing panel and SOPK-IMP mounting kit  
**ASWP86-IMP** - Panel only  
**SOPK66-86-IMP** - Rigid brackets, pivot bracket & self-tapping screws



### Aluminum Face Plate System

**AFP86-IMP** - Aluminum face plate and SOPK-IMP mounting kit  
**AFP86-IMP** - Panel only  
**SOPK66-86-IMP** - Rigid brackets, pivot bracket & self-tapping screws



### Air Vents

**VENT 3** - Aluminum louvered  
**VENT 2** - Outdoor labyrinth



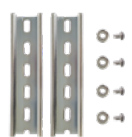
### Steel Swing Panel Kits

**SSWPK86-IMP** - Steel swing panel and SOPK-IMP mounting kit  
**SSWP86-IMP** - Panel only  
**SOPK66-86-IMP** - Rigid brackets, pivot bracket & self-tapping screws



### Steel Face Plate System

**SFPK86-IMP** - Steel face plate and SOPK-IMP mounting kit  
**SFP86-IMP** - Panel only  
**SOPK66-86-IMP** - Rigid brackets, pivot bracket & self-tapping screws



### Din Rail

**DIN 6-IMP** - 2 rails, 4 screws



### Pole Mounting Kit

**PMKG-26-IMP** - 2" pole  
**PMKG-36-IMP** - 3" pole  
**PMKG-46-IMP** - 4" pole  
**PMKG-126-IMP** - 12" pole



### Cord Grips

IP68/NEMA 4X/6P rated  
 See page 78 for more details.



## Features & Benefits

- **Quality material** – bases, opaque covers and clear covers are all made of high-impact, UV resistant polycarbonate.
- **Frequency friendly** – 100% metal free configurations available which is extremely favorable for sending and receiving wireless signals.
- **Integrated Latch** – Locking latch is molded into the cover, creating a complete, NEMA 6P enclosure with no additional hardware needed.
- **Easy installation** – with molded mounting flanges, so no extra hardware is needed.
- **Flexible interior mounting** – bosses on rear wall and lid of opaque enclosure provide multiple mounting options for DIN rail, back panels, or other components.
- **Standard color** – light gray with a gloss finish.
- **UL-50 / c-UL Listed** (file # E207562)

Mechanical & Thermal	Test Spec.	Unit	Rating
Instrumented Dart Impact @ 73° F	-	in-lbs	565
Falling Ball Impact @ 73° F	UL-746	in-lbs	900
Deflection Temperature @ 264 psi	ASTM D648	Deg. F	270
Modulus of Elasticity	ASTM D790	ksi	340
Temperature Range	-	Deg. F	-40 to 265
Flame Rating - UL	UL 94	-	5VA
Outdoor UV Exposure	UL	-	f1

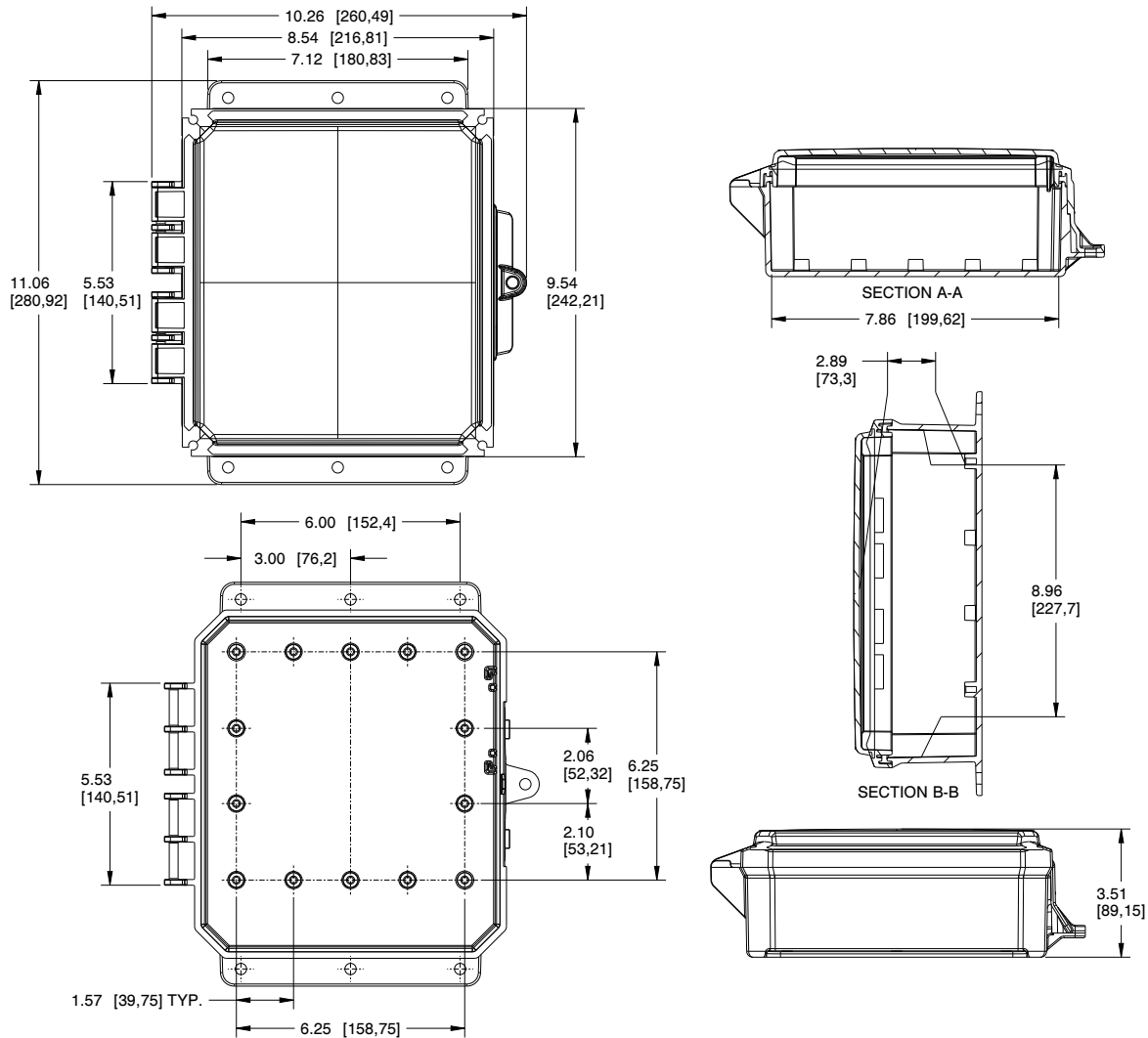


Part Number	4X IP66	6P IP68	Standard Hinge	Low Profile Hinge	Opaque Cover	Clear Cover	Integrated Mounting Flange	Integrated Locking Latch	Stainless Steel Locking Latch	Non-Metallic Locking Latch
★ P9082	✓	✓	✓		✓		✓	✓		
★ P9082C	✓	✓	✓			✓	✓	✓		

★ **POPULAR CONFIGURATIONS:** Most popular configurations are available for *QuickShip*. Please send requests to [customerservice@integraenclosures.com](mailto:customerservice@integraenclosures.com) to take advantage of our *QuickShip* option.



# 9X8X2 IMPACT<sup>®</sup> SERIES



[Bracketed dimensions in mm]

## TORQUE SPECIFICATIONS:

**Panels** - #10 thread cutter pan head 18-8 SS (torque limit = 10 in lbs)

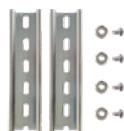
Register online to download detailed drawing files at [www.integraenclosures.com](http://www.integraenclosures.com)

## Accessories for 9x8x2 (For complete accessories, see pages 86-89)



### Back Panels

**ABP98-IMP** - Aluminum panel  
**SBP98-IMP** - Steel panel  
**PVCBP98-IMP** - PVC panel



### Din Rail

**DIN 8-IMP** - 2 rails, 4 screws



### Mounting Screws

**SP-10I** - 10 Pieces self-tapping screws for bosses



### Air Vents

**VENT 3** - Aluminum louvered  
**VENT 2** - Outdoor labyrinth



### Pole Mounting Kit

**PMKG-28-IMP** - 2" pole  
**PMKG-38-IMP** - 3" pole  
**PMKG-48-IMP** - 4" pole  
**PMKG-128-IMP** - 12" pole



### Cord Grips

**IP68/NEMA 4X/6P** rated  
 See page 78 for more details and part numbers



# 10X8X4 IMPACT® SERIES



## Features & Benefits

- **Quality material** – bases, opaque covers and clear covers are all made of high-impact, UV resistant polycarbonate.
- **Frequency friendly** – 100% metal free configurations available which is extremely favorable for sending and receiving wireless signals.
- **Easy installation** – with molded mounting flanges, so no extra hardware is needed.
- **Flexible interior mounting** – bosses on rear wall and lid of opaque enclosure provide multiple mounting options for DIN rail, back panels, or other components.
- **Standard color** – light gray with a gloss finish.
- **UL-50 / c-UL Listed** (file # E207562)

Mechanical & Thermal	Test Spec.	Unit	Rating
Instrumented Dart Impact @ 73° F	-	in-lbs	565
Falling Ball Impact @ 73° F	UL-746	in-lbs	900
Deflection Temperature @ 264 psi	ASTM D648	Deg. F	270
Modulus of Elasticity	ASTM D790	ksi	340
Temperature Range	-	Deg. F	-40 to 265
Flame Rating - UL	UL 94	-	5VA
Outdoor UV Exposure	UL	-	f1

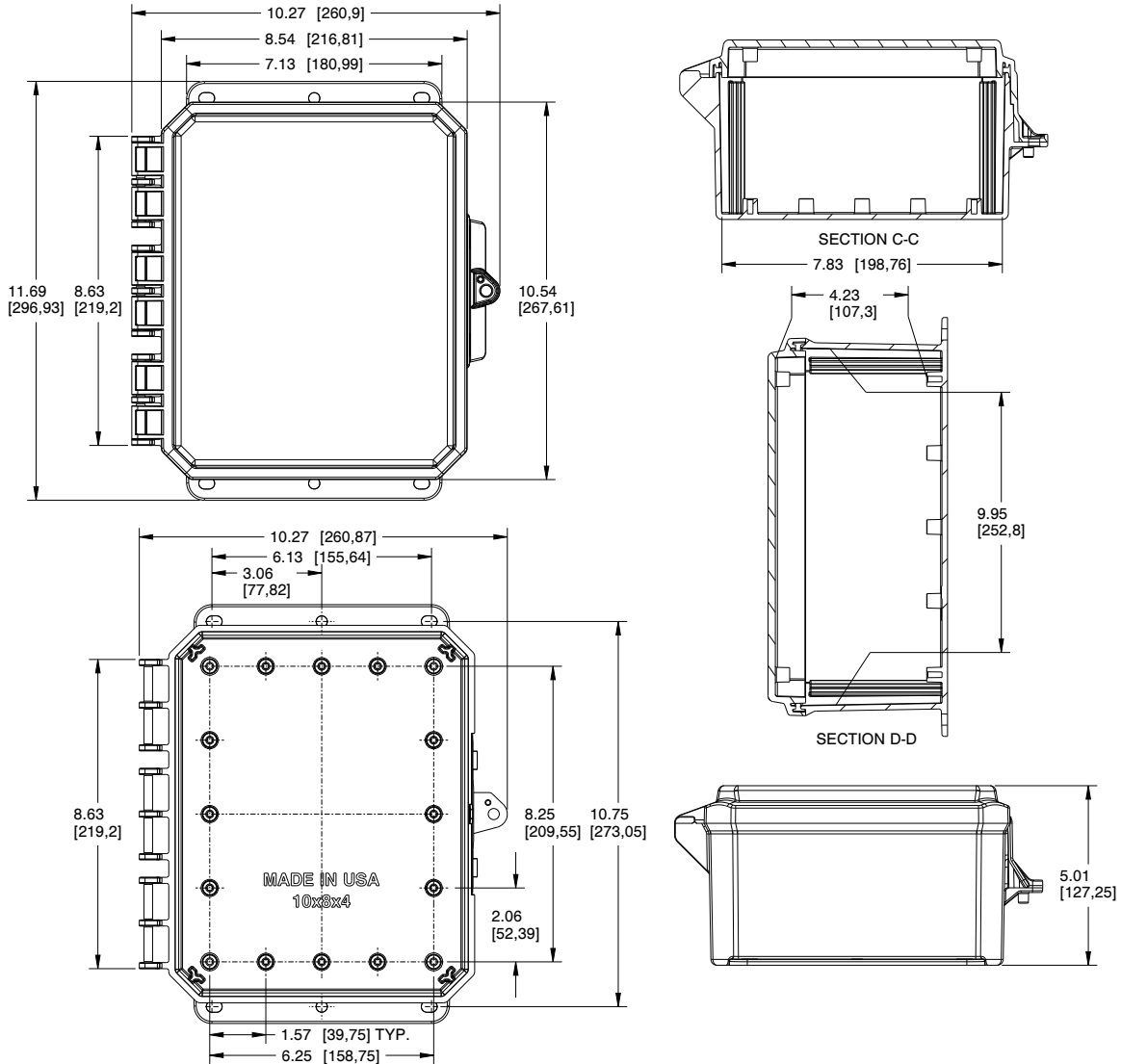


Part Number	4X IP66	6P IP68	Standard Hinge	Low Profile Hinge	Opaque Cover	Clear Cover	Integrated Mounting Flange	Integrated Locking Latch	Stainless Steel Locking Latch	Non-Metallic Locking Latch
★ P10084	✓	✓	✓		✓		✓	✓		
★ P10084C	✓	✓	✓			✓	✓	✓		
P10084LL	✓				✓		✓		✓	
P10084CLL	✓					✓	✓		✓	
P10084LP	✓	✓		✓	✓		✓	✓		
P10084LPC	✓	✓		✓		✓	✓	✓		
P10084LPLL	✓			✓	✓		✓		✓	
P10084LPCLL	✓			✓		✓	✓		✓	
P10084NL	✓		✓		✓		✓			✓
P10084CNL	✓		✓			✓	✓			✓
P10084LPNL	✓			✓	✓		✓			✓
P10084LPCNL	✓			✓		✓	✓			✓

★ **POPULAR CONFIGURATIONS:** Most popular configurations are available for *QuickShip*. Please send requests to [customerservice@integraenclosures.com](mailto:customerservice@integraenclosures.com) to take advantage of our *QuickShip* option.



# 10X8X4 IMPACT® SERIES



[Bracketed dimensions in mm]

## TORQUE SPECIFICATIONS:

**Panels** - #10 thread cutter pan head 18-8 SS (torque limit = 10 in lbs)

Register online to download detailed drawing files at [www.integraenclosures.com](http://www.integraenclosures.com)

## Accessories for 10x8x4 (For complete accessories, see pages 86-89)



### Back Panels

- ABP108-IMP** - Aluminum panel
- SBP108-IMP** - Steel panel
- PVCBP108-IMP** - PVC panel



### Aluminum Swing Panel Kits

- ABP-108-USOPK** - Complete kit
- ABP-108USP** - Panel only
- USOPK** - Hardware only



### Back Panel Adjustment Kit

- BPAKG** - Gray, Set Screw
- BPAKB** - Black, Set Screw
- UBPAKG** - Gray, Thumb Screw
- UBPAKB** - Black Thumb Screw



### Air Vents

- VENT 3** - Aluminum louvered
- VENT 2** - Outdoor labyrinth



### Steel Swing Panel Kits

- SBP-108-USOPK** - Complete kit
- SBP-108USP** - Panel only
- USOPK** - Hardware only



### Mounting Screws

- SP-10I** - 10 Pieces self-tapping screws for bosses



### Din Rail

- DIN 8-IMP** - 2 rails, 4 screws



### Pole Mounting Kit

- PMKG-28-IMP** - 2" pole
- PMKG-38-IMP** - 3" pole
- PMKG-48-IMP** - 4" pole
- PMKG-128-IMP** - 12" pole



### Cord Grips

- IP68/NEMA 4X/6P rated
- See page 78 for more details.

# 10X8X6 IMPACT® SERIES



## Features & Benefits

- **Quality material** – bases, opaque covers and clear covers are all made of high-impact, UV resistant polycarbonate.
- **Frequency friendly** – 100% metal free configurations available which is extremely favorable for sending and receiving wireless signals.
- **Easy installation** – with molded mounting flanges, so no extra hardware is needed.
- **Flexible interior mounting** – bosses on rear wall and lid of opaque enclosure provide multiple mounting options for DIN rail, back panels, or other components.
- **Standard color** – light gray with a gloss finish.
- **UL-50 / c-UL Listed** (file # E207562)

Mechanical & Thermal	Test Spec.	Unit	Rating
Instrumented Dart Impact @ 73° F	-	in-lbs	565
Falling Ball Impact @ 73° F	UL-746	in-lbs	900
Deflection Temperature @ 264 psi	ASTM D648	Deg. F	270
Modulus of Elasticity	ASTM D790	ksi	340
Temperature Range	-	Deg. F	-40 to 265
Flame Rating - UL	UL 94	-	5VA
Outdoor UV Exposure	UL	-	f1

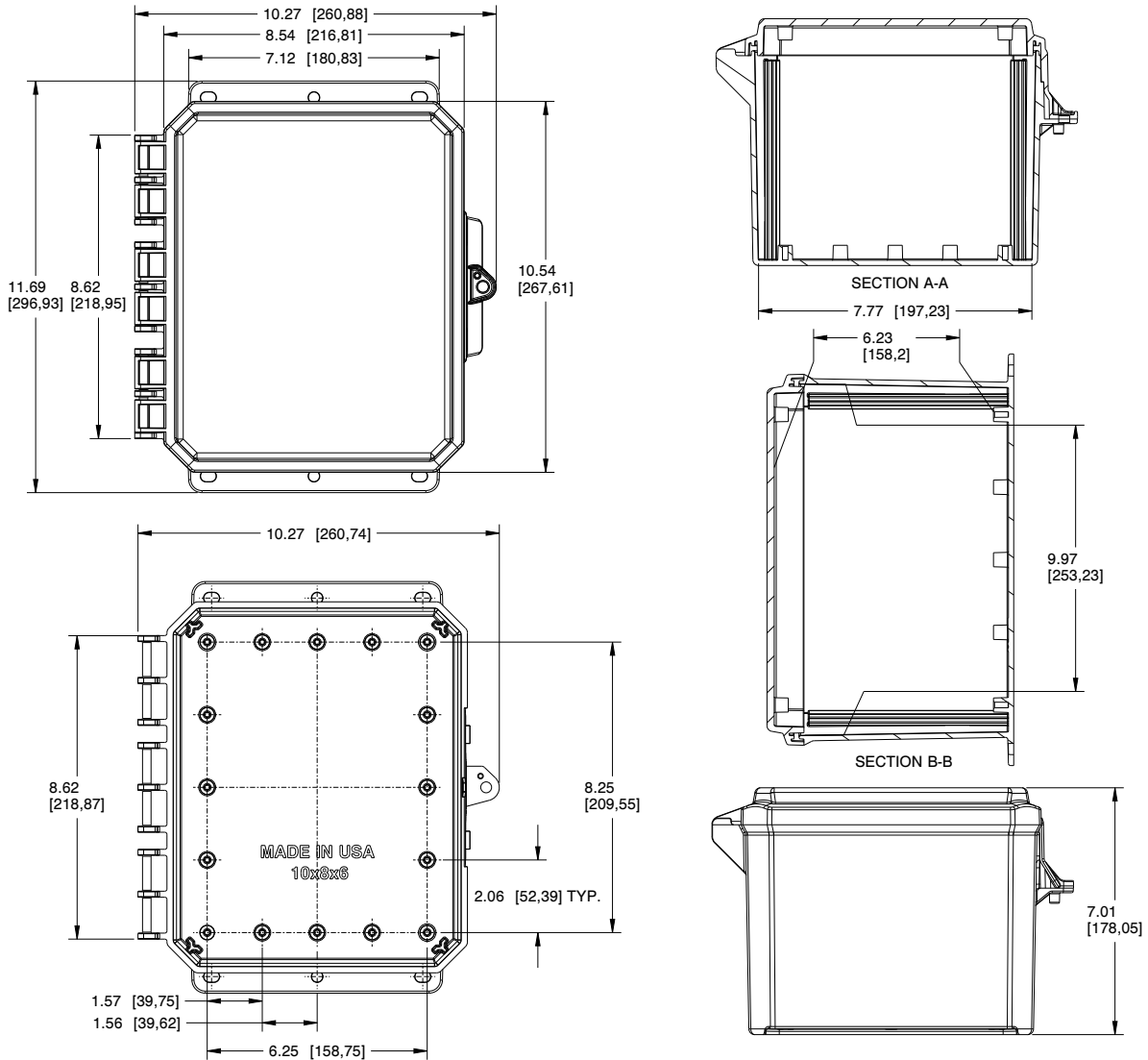


Part Number	4X IP66	6P IP68	Standard Hinge	Low Profile Hinge	Opaque Cover	Clear Cover	Integrated Mounting Flange	Integrated Locking Latch	Stainless Steel Locking Latch	Non-Metallic Locking Latch
★ P10086	✓	✓	✓		✓		✓	✓		
★ P10086C	✓	✓	✓			✓	✓	✓		
P10086LL	✓				✓		✓		✓	
P10086CLL	✓					✓	✓		✓	
P10086LP	✓	✓		✓	✓		✓	✓		
P10086LPC	✓	✓		✓		✓	✓	✓		
P10086LPLL	✓			✓	✓		✓		✓	
P10086LPCLL	✓			✓		✓	✓		✓	
P10086NL	✓		✓		✓		✓			✓
P10086CNL	✓		✓			✓	✓			✓
P10086LPNL	✓			✓	✓		✓			✓
P10086LPCNL	✓			✓		✓	✓			✓

★ **POPULAR CONFIGURATIONS:** Most popular configurations are available for *QuickShip*. Please send requests to [customerservice@integraenclosures.com](mailto:customerservice@integraenclosures.com) to take advantage of our *QuickShip* option.



# 10X8X6 IMPACT® SERIES









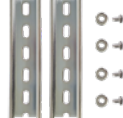


[Bracketed dimensions in mm]

## TORQUE SPECIFICATIONS:

**Panels** - #10 thread cutter pan head 18-8 SS (torque limit = 10 in lbs)

Register online to download detailed drawing files at [www.integraenclosures.com](http://www.integraenclosures.com)

## Accessories for 10x8x6 (For complete accessories, see pages 86-89)

 <p><b>Back Panels</b>  <b>ABP108-IMP</b> - Aluminum panel  <b>SBP108-IMP</b> - Steel panel  <b>PVCBP108-IMP</b> - PVC panel</p>	 <p><b>Aluminum Swing Panel Kits</b>  <b>ABP-108-USOPK</b> - Complete kit  <b>ABP-108USP</b> - Panel only  <b>USOPK</b> - Hardware only</p>	 <p><b>Back Panel Adjustment Kit</b>  <b>BPAKG</b> - Gray, Set Screw  <b>BPAKB</b> - Black, Set Screw  <b>UBPAKG</b> - Gray, Thumb Screw  <b>UBPAKB</b> - Black Thumb Screw</p>
 <p><b>Air Vents</b>  <b>VENT 3</b> - Aluminum louvered  <b>VENT 2</b> - Outdoor labyrinth</p>	 <p><b>Steel Swing Panel Kits</b>  <b>SBP-108-USOPK</b> - Complete kit  <b>SBP-108USP</b> - Panel only  <b>USOPK</b> - Hardware only</p>	 <p><b>Mounting Screws</b>  <b>SP-10I</b> - 10 Pieces self-tapping screws for bosses</p>
 <p><b>Din Rail</b>  <b>DIN 8-IMP</b> - 2 rails, 4 screws</p>	 <p><b>Pole Mounting Kit</b>  <b>PMKG-28-IMP</b> - 2" pole  <b>PMKG-38-IMP</b> - 3" pole  <b>PMKG-48-IMP</b> - 4" pole  <b>PMKG-128-IMP</b> - 12" pole</p>	 <p><b>Cord Grips</b>  IP68/NEMA 4X/6P rated  See page 78 for more details.</p>





## Features & Benefits

- **Quality material** – bases, opaque covers and clear covers are all made of high-impact, UV resistant polycarbonate.
- **Frequency friendly** – 100% metal free configurations available which is extremely favorable for sending and receiving wireless signals.
- **Easy installation** – with molded mounting flanges, so no extra hardware is needed.
- **Flexible interior mounting** – bosses on rear wall and lid of opaque enclosure provide multiple mounting options for DIN rail, back panels, or other components.
- **Standard color** – light gray with a gloss finish.
- **UL-50 / c-UL Listed** (file # E207562)

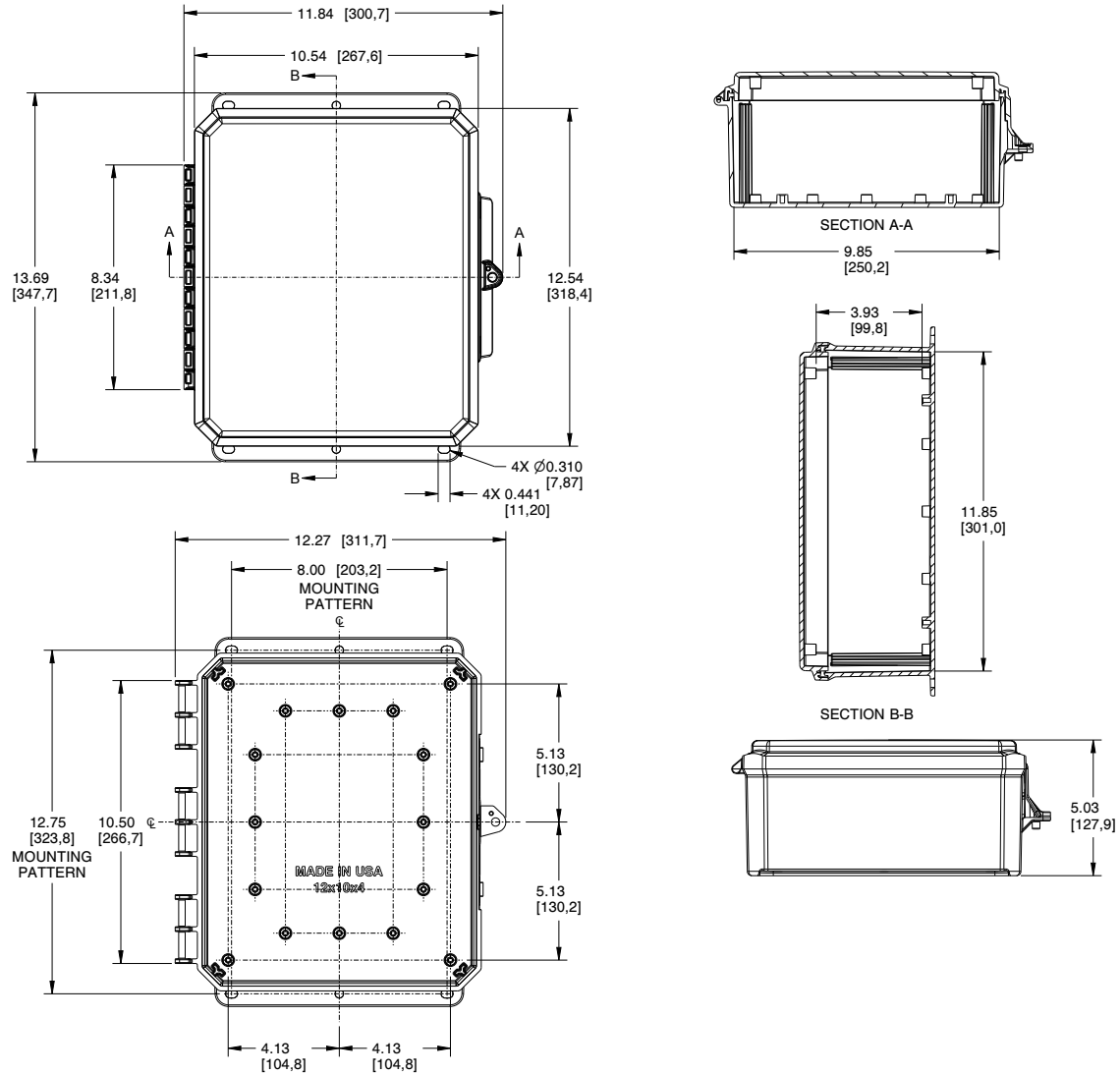
Mechanical & Thermal	Test Spec.	Unit	Rating
Instrumented Dart Impact @ 73° F	-	in-lbs	565
Falling Ball Impact @ 73° F	UL-746	in-lbs	900
Deflection Temperature @ 264 psi	ASTM D648	Deg. F	270
Modulus of Elasticity	ASTM D790	ksi	340
Temperature Range	-	Deg. F	-40 to 265
Flame Rating - UL	UL 94	-	5VA
Outdoor UV Exposure	UL	-	f1



Part Number	4X IP66	6P IP68	Standard Hinge	Low Profile Hinge	Opaque Cover	Clear Cover	Integrated Mounting Flange	Integrated Locking Latch	Stainless Steel Locking Latch	Non-Metallic Locking Latch
P12104	✓		✓		✓		✓	✓		
P12104C	✓		✓			✓	✓	✓		
P12104LL	✓				✓		✓		✓	
P12104CLL	✓					✓	✓		✓	
P12104LP	✓			✓	✓		✓	✓		
P12104LPC	✓			✓		✓	✓	✓		
P12104LPLL	✓			✓	✓		✓		✓	
P12104LPCLL	✓			✓		✓	✓		✓	
P12104NL	✓		✓		✓		✓			✓
P12104CNL	✓		✓			✓	✓			✓
P12104LPNL	✓			✓	✓		✓			✓
P12104LPCNL	✓			✓		✓	✓			✓



# 12X10X4 IMPACT LINE



[Bracketed dimensions in mm]

## TORQUE SPECIFICATIONS:

**Panels** - #10 thread cutter pan head 18-8 SS (torque limit = 10 in lbs)

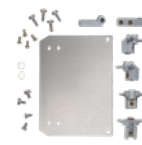
Register online to download detailed drawing files at [www.integraenclosures.com](http://www.integraenclosures.com)

## Accessories for 12x10x4 (For complete accessories, see pages 86-89)



### Back Panels

**ABP1210-IMP** - Aluminum panel  
**SBP1210-IMP** - Steel panel  
**PVCBP1210-IMP** - PVC panel



### Aluminum Swing Panel Kits

**ABP-1210-USOPK** - Complete kit  
**ABP-1210USP** - Panel only  
**USOPK** - Hardware only



### Back Panel Adjustment Kit

**BPAKG** - Gray, Set Screw  
**BPAKB** - Black, Set Screw  
**UBPAKG** - Gray, Thumb Screw  
**UBPAKB** - Black Thumb Screw



### Air Vents

**VENT 3** - Aluminum louvered  
**VENT 2** - Outdoor labyrinth



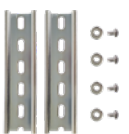
### Steel Swing Panel Kits

**SBP-1210-USOPK** - Complete kit  
**SBP-1210USP** - Panel only  
**USOPK** - Hardware only



### Mounting Screws

**SP-101** - 10 Pieces self-tapping screws for bosses



### Din Rail

**DIN 10-IMP** - 2 rails, 4 screws



### Pole Mounting Kit

**PMKG-210-IMP** - 2" pole  
**PMKG-310-IMP** - 3" pole  
**PMKG-410-IMP** - 4" pole  
**PMKG-1210-IMP** - 12" pole



### Cord Grips

IP68/NEMA 4X/6P rated  
 See page 78 for more details.



## GENESIS SERIES OVERVIEW

### ■ 900 in-lbs Impact Resistance

Polycarbonate is known for its high impact resistance, making it an ideal choice for outdoor enclosures.

### ■ Wide Operating Temperature Range

Polycarbonate is stable and holds its tensile strength better than other non-metallic materials over a temperature range from -40 deg F to 265 deg F.

### ■ Multi-Max Rail System®

The MULTIPLE configurations for MAXimum options rail system provide unlimited mounting potential for your application. These rails mount vertically by attaching to the rear wall of the enclosure and to the Multi-Max frame. They can be used all around the interior of the enclosure to create three-dimensional use of all of the space inside the enclosure.

### ■ Multi-Max Frame

This piece secures just inside the lip of the base with four Multi-Max Rails® and combines with other molded features to provide un-matched rigidity to the Genesis enclosures.

### ■ Rigid Full Piano Hinge Swing Panel

The Genesis swing panel has an aluminum piano style hinge to support the weight of the typical larger enclosure applications. The swing panel attaches to the Multi-Max Rails® and provides rigid, smooth operation.

### ■ Panel Pads

Panel pads affix to the vertical Multi-Max Rails® and provide the ability for an aluminum, steel or PVC mounting panel to be set at varying heights inside the enclosure. These pads provide the ability to have multiple mounting panels at different heights. Whether it's a competitive situation or a space restriction, more mounting surfaces can save space and money.

### ■ Multiple Latching Options

- Three-point latch
- Quarter turn latch
- Non-metallic latch

### ■ Modifications

Full modifications services are available at Integra, including machining holes for displays, cable connectors, multi pin connectors, antennae, etc. Call us to discuss your unique requirements.

### ■ Customization

Custom colors, custom back panels, silk screening, sub assembly of your product, or any other tailoring of our product to your need is our job. (Minimums may apply)

### ■ Packaging

Standard packaging is one unit per carton, packed to ensure safe delivery to your location. If you have any special requirements for shipping, call us and we can work to meet your requirements.





# GENESIS SERIES

CONTINUOUS  
PIANO HINGE

EXTRA  
MOUNTING  
BOSSES

TAGGABLE/  
LOCKABLE  
LATCH

MULTIMAX  
STIFFENER  
FRAME

MULTIMAX  
SIDE RAILS

# 20X16X8 GENESIS SERIES



Multi-Max Rails & Stiffener Frame  
\*Not included with E part numbers\*

## Features & Benefits

- **Quality material** – bases, opaque covers and clear covers are all made of high-impact, UV resistant polycarbonate.
- **Full hinge** – sturdy, full length piano hinged door
- **Multi-Max Rail Mounting System®** – maximize your enclosure space with full three-dimensional mounting capabilities.
- **Rigid construction** – unique, internal Multi-Max frame provides additional strength.
- **Extra mounting bosses** – brass inserts on rear wall of enclosure and on lid for more mounting options.
- **Integrated flange** – mounting flanges moulded into base, eliminating the need for extra hardware.
- **Multiple latch options** – non-metallic, quarter turn or three-point latch configurations
- **UL / c-UL-50 listed** (File # E207562)

Mechanical & Thermal	Test Spec.	Unit	Rating
Instrumented Dart Impact @ 73° F	-	in-lbs	565
Falling Ball Impact @ 73° F	UL-746	in-lbs	900
Deflection Temperature @ 264 psi	ASTM D648	Deg. F	270
Modulus of Elasticity	ASTM D790	ksi	340
Temperature Range	-	Deg. F	-40 to 265
Flame Rating - UL	UL 94	-	5VA
Outdoor UV Exposure	UL	-	f1



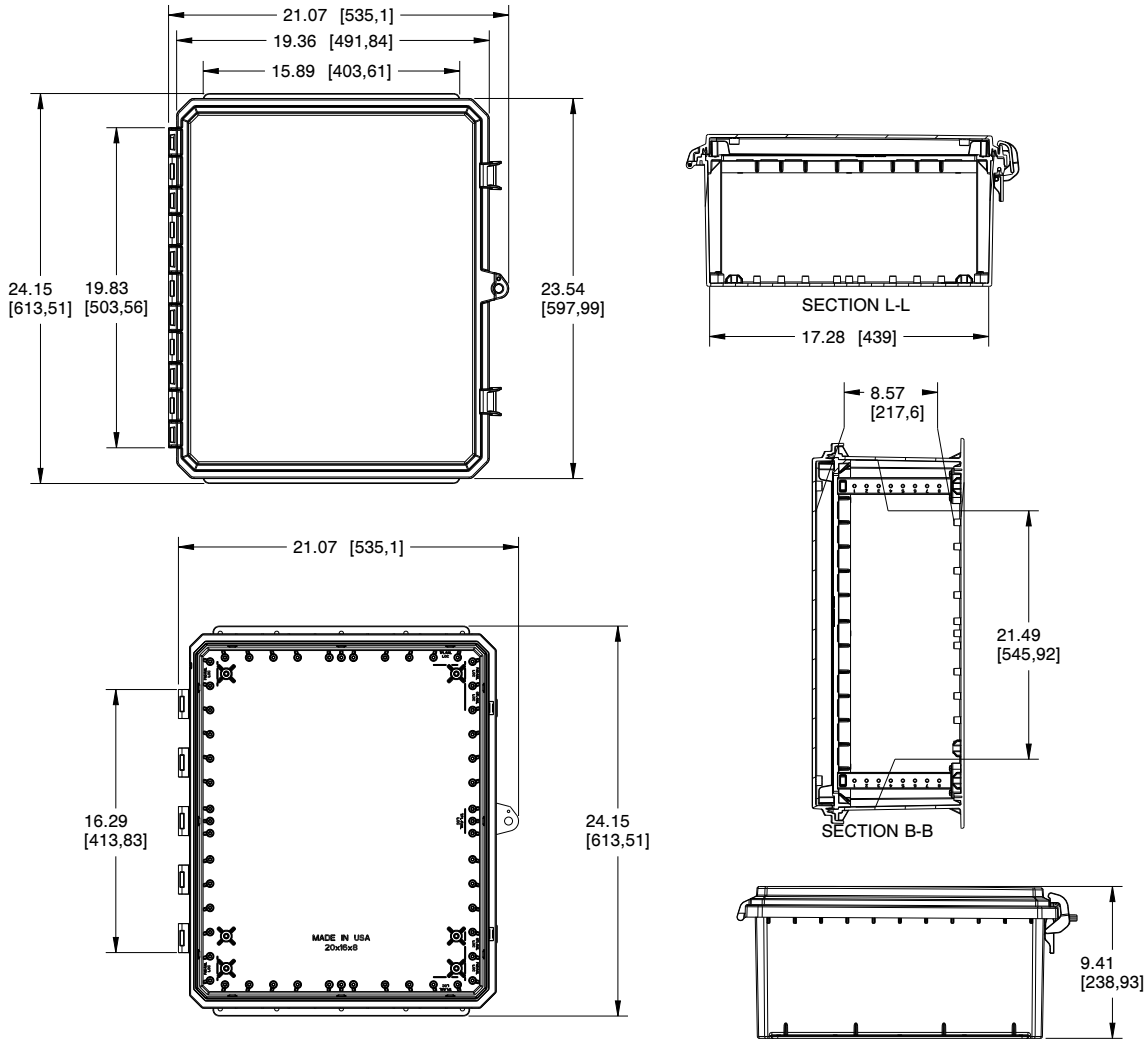
	Part Number	4X IP66	6P IP68	Piano Hinge	Opaque Cover	Clear Cover	Integrated Mounting Flange	Non-Metallic Locking Latch	3-Point Latch	1/4 Turn Latch	Multi-Max Rail System
★	G201608	✓	✓	✓	✓		✓	✓			✓
★	G201608C	✓	✓	✓		✓	✓	✓			✓
	G201608TPL	✓		✓	✓		✓		✓		✓
	G201608CTPL	✓		✓		✓	✓		✓		✓
	G201608QTL	✓		✓	✓		✓			✓	✓
	G201608CQTL	✓		✓		✓	✓			✓	✓
	G201608E	✓	✓	✓	✓		✓	✓			
	G201608CE	✓	✓	✓		✓	✓	✓			

★ **POPULAR CONFIGURATIONS:** Most popular configurations are available for *QuickShip*. Please send requests to [customerservice@integraenclosures.com](mailto:customerservice@integraenclosures.com) to take advantage of our *QuickShip* option.





# 20X16X8 GENESIS SERIES



[Bracketed dimensions in mm]


## TORQUE SPECIFICATIONS:

**Mounting Feet** - 1/4"-20 x 0.5" pan head 18-8 SS (torque limit = 32 in lbs)

**Panels** - 1/4"-20 x 0.5" pan head 18-8 SS (torque limit = 32 in lbs)

Register online to download detailed drawing files at [www.integraenclosures.com](http://www.integraenclosures.com)

## Accessories for 20x16x8 (For complete accessories, see pages 90-91)

 <p><b>Back Panels</b>  <b>ABP-2016</b> - Aluminum panel  <b>SBP-2016</b> - Steel panel  <b>PVCBP-2016</b> - PVC panel</p>	 <p><b>Panel Pads</b>  <b>KIT-GPP-2016</b> - Four panel pads and screws</p>	 <p><b>Self-Tapping Screws</b>  <b>GSP-10</b> - Self-tapping screws for bosses (10 per pack)</p>
 <p><b>Fan Shroud Kits</b>  <b>FS-KIT-1</b> - One shroud with gasket and screws  <b>FS-KIT-2</b> - Two shrouds with gasket and screws</p>	 <p><b>Swing Panel Kits</b>  <b>ABP2016-GSOPK</b> - Aluminum panel kit  <b>SBP2016-GSOPK</b> - Steel panel kit  <b>GSOPK20</b> - 20" hinge, panel pads &amp; screws</p>	 <p><b>Multi-Max Rails®</b>  <b>KIT-GMMR8</b> - Four Multi-Max Rails® with screws included</p>
 <p><b>Door Stop Kit</b>  <b>KIT-DOOR-STOP</b> - Door Stop Kit for Genesis Enclosures</p>	 <p><b>Pole Mounting Kits</b>  <b>PMKG-216-GEN</b> - 2" pole  <b>PMKG-316-GEN</b> - 3" pole  <b>PMKG-416-GEN</b> - 4" pole  <b>PMKG-1216-GEN</b> - 12" pole</p>	 <p><b>Multi-Max Frame</b>  <b>GSR2016</b> - Multi-Max frame stiffener</p>

# 24X24X10 GENESIS SERIES



## Features & Benefits

- **Quality material** – bases, opaque covers and clear covers are all made of high-impact, UV resistant polycarbonate.
- **Full hinge** – sturdy, full length piano hinged door
- **Multi-Max Rail Mounting System®** – maximize your enclosure space with full three-dimensional mounting capabilities.
- **Rigid construction** – unique, internal Multi-Max frame provides additional strength.
- **Extra mounting bosses** – brass inserts on rear wall of enclosure and on lid for more mounting options.
- **Multiple latch options** – non-metallic, quarter turn or three-point latch configurations.
- **UL / c-UL-50 listed** (File # E207562)

Mechanical & Thermal	Test Spec.	Unit	Rating
Instrumented Dart Impact @ 73° F	-	in-lbs	565
Falling Ball Impact @ 73° F	UL-746	in-lbs	900
Deflection Temperature @ 264 psi	ASTM D648	Deg. F	270
Modulus of Elasticity	ASTM D790	ksi	340
Temperature Range	-	Deg. F	-40 to 265
Flame Rating - UL	UL 94	-	5VA
Outdoor UV Exposure	UL	-	f1



### Multi-Max Rails, Stiffener Frame & Mounting Flanges

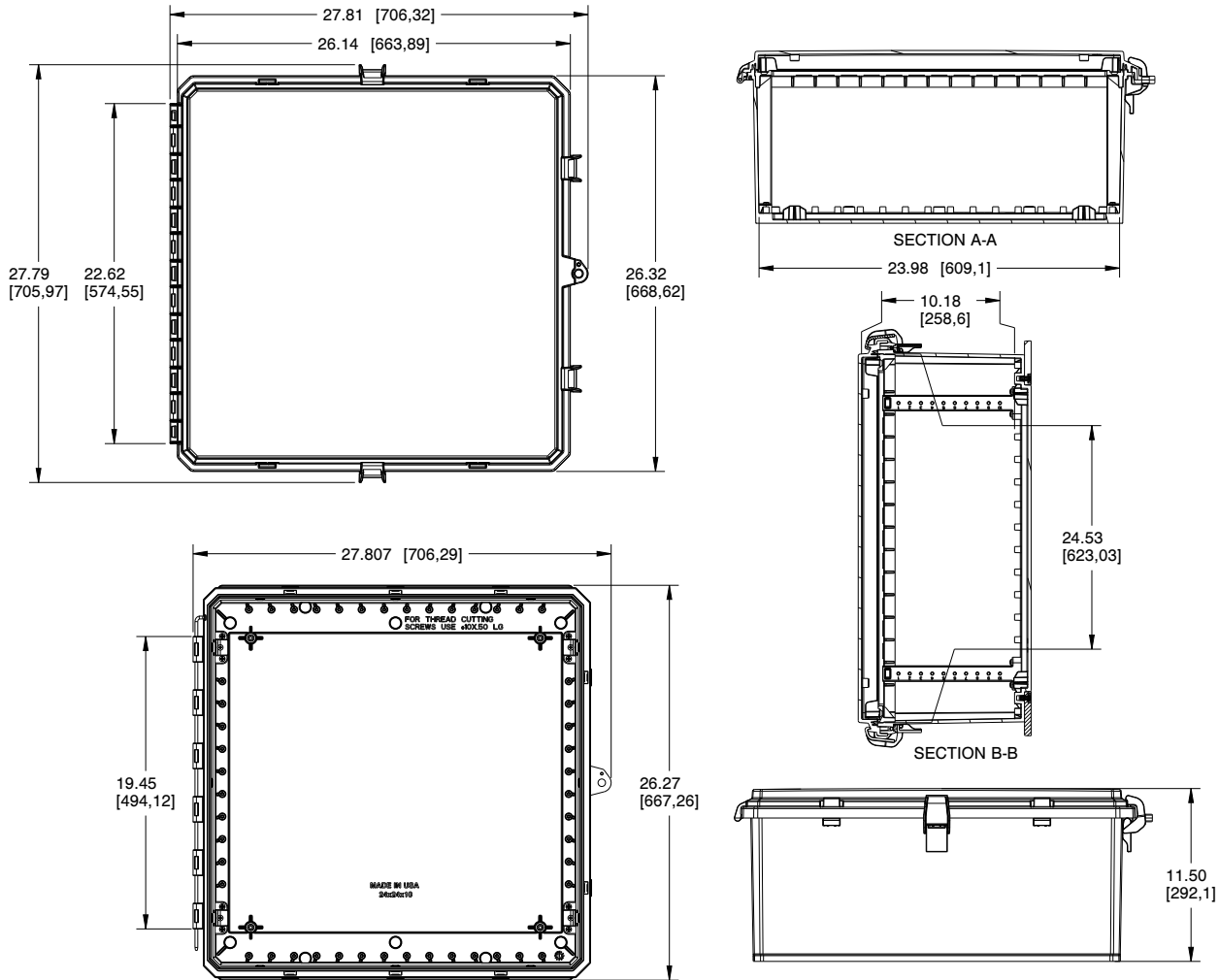
\*Multi-Max system not included with E part numbers\*

Part Number	4X IP66	6P IP68	Piano Hinge	Opaque Cover	Clear Cover	Mounting Flange	Non-Metallic Locking Latch	3-Point Latch	1/4 Turn Latch	Multi-Max Rail System
★ G242410	✓	✓	✓	✓		✓	✓			✓
★ G242410C	✓	✓	✓		✓	✓	✓			✓
G242410TPL	✓		✓	✓		✓		✓		✓
G242410CTPL	✓		✓		✓	✓		✓		✓
G242410QTL	✓		✓	✓		✓			✓	✓
G242410CQTL	✓		✓		✓	✓			✓	✓
G242410E	✓	✓	✓	✓		✓	✓			
G242410CE	✓	✓	✓		✓	✓	✓			

★ **POPULAR CONFIGURATIONS:** Most popular configurations are available for *QuickShip*. Please send requests to [customerservice@integraenclosures.com](mailto:customerservice@integraenclosures.com) to take advantage of our *QuickShip* option.



# 24X24X10 GENESIS SERIES



[Bracketed dimensions in mm]

## TORQUE SPECIFICATIONS:

**Mounting Feet** - 1/4"-20 x 0.5" pan head 18-8 SS (torque limit = 32 in lbs)

**Panels** - 1/4"-20 x 0.5" pan head 18-8 SS (torque limit = 32 in lbs)

Register online to download detailed drawing files at [www.integraenclosures.com](http://www.integraenclosures.com)

## Accessories for 24x24x10 (For complete accessories, see pages 90-91)

 <p><b>Back Panels</b>  <b>ABP-2424</b> - Aluminum panel  <b>SBP-2424</b> - Steel panel  <b>PVCBP-2424</b> - PVC panel</p>	 <p><b>Panel Pads</b>  <b>KIT-GPP-2424</b> - Four panel pads and screws</p>	 <p><b>Self-Tapping Screws</b>  <b>GSP-10</b> - Self-tapping screws for bosses (10 per pack)</p>
 <p><b>Fan Shroud Kits</b>  <b>FS-KIT-1</b> - One shroud with gasket and screws  <b>FS-KIT-2</b> - Two shrouds with gasket and screws</p>	 <p><b>Swing Panel Kits</b>  <b>ABP2424-GSOPK</b> - Aluminum panel kit  <b>SBP2424-GSOPK</b> - Steel panel kit  <b>GSOPK24</b> - 24" hinge, panel pads and screws</p>	 <p><b>Multi-Max Rails®</b>  <b>KIT-GMMR10</b> - Four Multi-Max Rails® with screws included</p>
 <p><b>Door Stop Kit</b>  <b>KIT-DOOR-STOP</b> - Door Stop Kit for Genesis Enclosures</p>	 <p><b>Pole Mounting Kits</b>  <b>PMKG-224</b> - 2" pole  <b>PMKG-324</b> - 3" pole  <b>PMKG-424</b> - 4" pole  <b>PMKG-1224</b> - 12" pole</p>	 <p><b>Multi-Max Frame</b>  <b>GSR2424</b> - Multi-Max frame stiffener</p>



## STRONGBOX SERIES OVERVIEW

### ■ Standard and Custom Options

Integra offers both off-the-shelf and completely custom stainless steel enclosures so you can get exactly what you need with industry best lead times.

### ■ World Class Quality

When you order an Integra Strongbox Series enclosure, you will receive the highest quality enclosure on the market. These 100% stainless steel enclosures have a smooth brush finish for a beautiful, clean look. Enclosure seams are continuously welded and ground smooth to ensure there are no sharp edges.

### ■ Modifications

Full modification services are available at Integra to ensure your enclosure has the required dimensions, accessories and holes you need. Our modification capabilities include but are not limited to: custom sizing, custom machining, custom back panels, multiple mounting options, latching options and hinging options. Call us to discuss your unique requirements.

### ■ Custom Hinge Options

- Removable 316 Stainless Steel Pin Hinge (Pinge™)
- Continuous (Piano) Hinge
- Lift-Off Hinge

### ■ Custom Mounting Options

- Rivet Nuts
- Through Holes
- Welded or Removable Flange
- Welded or Removable Tabs
- Multiple Sizes of Legs (Floor Stands)

### ■ Custom Latch Options

- Quarter Turn Latch
- Integra Stainless Locking Latch
- 3-Point Latch (Pad Lockable)

### ■ Ultra-tight Seal

Flange collar around all sides of door opening provides a minimum 0.34" sealing face with the polyurethane Foam-In-Place gasket.

### ■ NEMA 4X protection

Our stainless steel enclosures are designed to protect any indoor or outdoor application against corrosion, chemicals and wet conditions. They are constructed with UV protected and Impact resistant material to ensure protection in any environment, UL508A NEMA 4X rated.





# STRONGBOX SERIES

**FOAM-IN-PLACE  
URETHANE  
GASKET**

**FLANGE  
COLLAR AROUND  
OPENING**

**SEAMS CONTINUOUSLY  
WELDED & GROUND  
SMOOTH**



**GROUNDING  
STUD ON DOOR  
& BODY**

**PANEL  
STANDOFFS**

**CUSTOMIZATION  
AVAILABLE**



# STRONGBOX STANDARD



## Features & Benefits

- **Quality material** – 304 stainless steel with NEMA 4X corrosion protection and #4 brush finish
- **Water-tight seal** – flange collar provides drainage channel around all sides of enclosure and a wide sealing face for water-resistant FIP gasket
- **Panel standoffs** – installed for easy mounting of subpanels (panels sold separately)
- **Available for QuickShip** – standard enclosures are in stock and ready to ship!
- **Wall Mountable** - includes bolt-on tabs and riv-nuts
- **Quarter-Turn Latch** and Removable Pin Hinge (Pinge™) come on all standard enclosures
- **Wide range of sizes** for every application
- **UL508A listed and NEMA 4X rated**

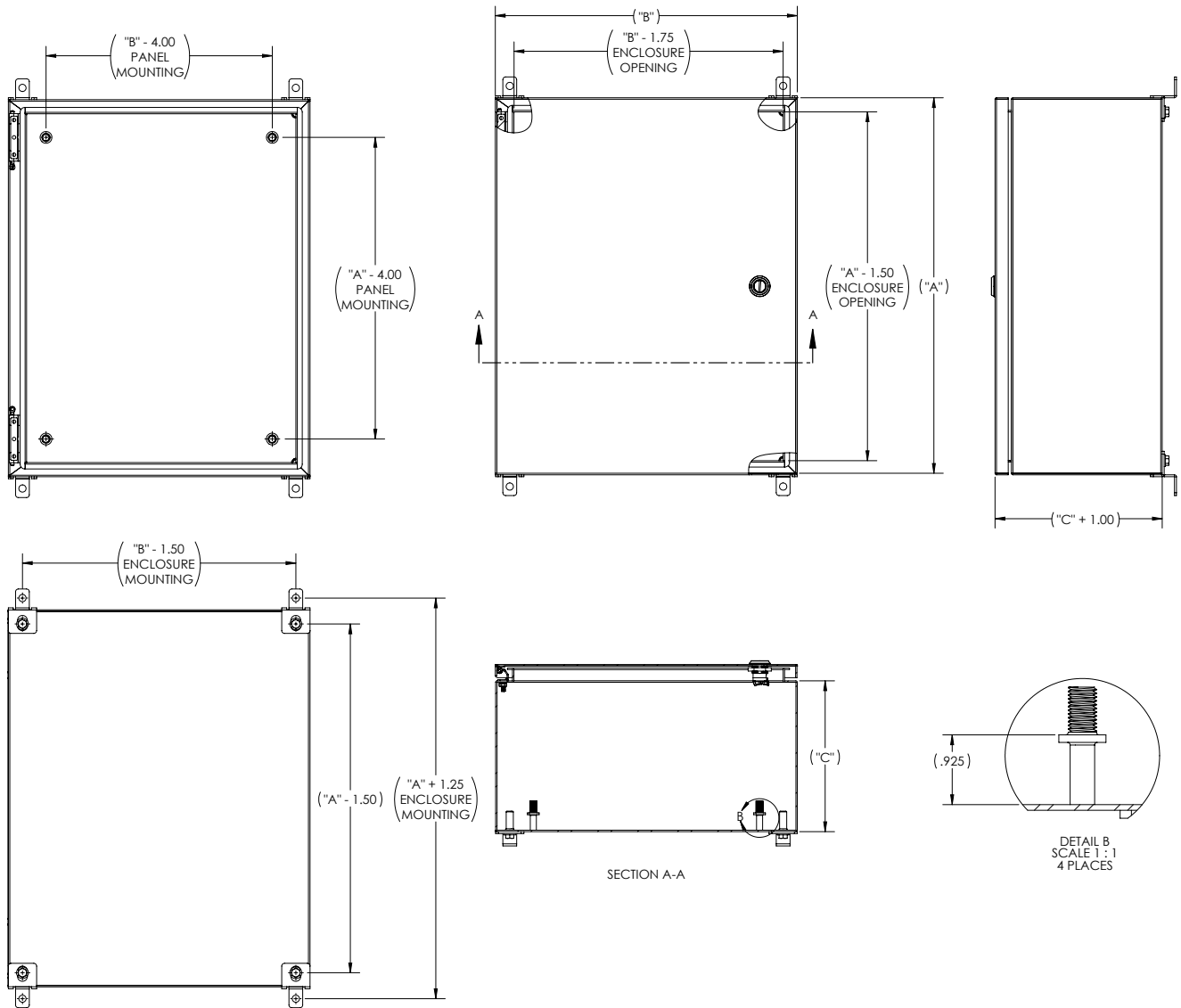
Mechanical & Thermal	Unit	Rating
Temperature Range	Deg. F	-40 to 140
Industry Standards		
UL/C-UL		508A
NEMA Rating		1, 2, 3, 3R, 4, 4X



Part Number	Height	Width	Depth	Material Thickness Cover / Base	Weight (lbs.)	4X IP66	Subpanel Part # (optional)	Subpanel Dimensions
W100804-4PQ-BT	10"	8"	4"	16 GAUGE / 16 GAUGE	6.0	✓	PNLB1008GVN	8 X 6
W100806-4PQ-BT	10"	8"	6"	16 GAUGE / 16 GAUGE	7.2	✓	PNLB1008GVN	8 X 6
W121004-4PQ-BT	12"	10"	4"	16 GAUGE / 16 GAUGE	8.1	✓	PNLB1210GVN	10 X 8
W121006-4PQ-BT	12"	10"	6"	16 GAUGE / 16 GAUGE	9.6	✓	PNLB1210GVN	10 X 8
W141206-4PQ-BT	14"	12"	6"	16 GAUGE / 16 GAUGE	12.3	✓	PNLB1412GVN	12 X 10
W201608-4PQ-BT	20"	16"	8"	16 GAUGE / 16 GAUGE	22.6	✓	PNLB2016GVN	18 X 14
W202008-4PQ-BT	20"	20"	8"	14 GAUGE / 16 GAUGE	26.6	✓	PNLB2020GVN	18 X 18
W202010-4PQ-BT	20"	20"	10"	14 GAUGE / 16 GAUGE	36.8	✓	PNLB2020GVN	18 X 18
W242008-4PQ-BT	24"	20"	8"	14 GAUGE / 16 GAUGE	30.7	✓	PNLB2420GVN	22 X 18
W242010-4PQ-BT	24"	20"	10"	14 GAUGE / 16 GAUGE	42.2	✓	PNLB2420GVN	22 X 18
W242408-4PQ-BT	24"	24"	8"	14 GAUGE / 16 GAUGE	35.3	✓	PNLB2424GVN	22 X 22
W242410-4PQ-BT	24"	24"	10"	14 GAUGE / 16 GAUGE	48.4	✓	PNLB2424GVN	22 X 22
W302410-4PQ-BT	30"	24"	10"	14 GAUGE / 14 GAUGE	57.6	✓	PNLB3024GVN	28 X 22
W302412-4PQ-BT	30"	24"	12"	14 GAUGE / 14 GAUGE	62.3	✓	PNLB3024GVN	28 X 22
W363012-4PQ-BT	36"	30"	12"	14 GAUGE / 14 GAUGE	84.9	✓	PNLB3630GVN	34 X 28



# STRONGBOX STANDARD



## TORQUE SPECIFICATIONS:

**Bolt On Tabs** - 1/4"-20 x 0.5" hex bolt (torque limit = 25 in lbs)

**Panels** - 1/4"-20 x 0.5" collar stud (torque limit = 25 in lbs)

[Bracketed dimensions in mm]

Register online to download detailed drawing files at [www.integraenclosures.com](http://www.integraenclosures.com)

## Accessories for Strongbox Standard (For complete accessories, see page 92)



### Steel Back Panels

Galvanized Steel Back Panels. See chart on page 67 for part numbers.



### Bolt-On Tabs

**NEMA-MTKIT** - Two stainless steel mounting tabs with screws.



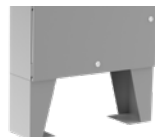
### Literature Tray

**9220236-LT** - Large Integra Literature Tray  
**9920237-LT** - Small Integra Literature Tray



### Quarter-Turn Latch Assembly

**QTL-SLOT-177**  
**QTL-SLOT-256**



### Legs/ Floor Stands

Multiple sizes available. Contact factory for details.



### Cord Grips

IP68/NEMA 4X/6P rated. See page 78 for more details and part numbers

# STRONGBOX WALL MOUNT



## Features & Benefits

- **Built to spec** – 100% custom enclosures built to order. Work with our engineering dept. to get exactly what you need
- **Precise machining** – laser cut holes for connectors and accessories or window kits for easy viewing.
- **Wide range of sizes**, configurations and accessories provides capabilities for every application.
- **Powder coating available**. Choose from range of RAL color codes.
- **UL508A listed** and **NEMA 4X & 3SX rated**



Mechanical & Thermal	Unit	Rating
Temperature Range	Deg. F	-40 to 140
Industry Standards		
UL/C-UL		508A
NEMA Rating		1, 2, 3, 3R, 4, 4X

## WAYS TO CUSTOMIZE

### Start with Quality Materials

We can build with 304 or 316 Stainless Steel or Marine Grade Aluminum.

### Choose your Dimensions

We can accommodate various HxWxD requests up to 90 inches tall with the capabilities of multiple doors up to 5. Submit design requirements to engineering. These configurations may not provide a UL rating and are subject to engineering approval.

### Latch Options

- Quarter-Turn Latch
- Integra Locking Latch
- 3-Point Latch (Required for NEMA 3SX Rating)

### Mounting Options

- Rivet Nuts or Through Holes
- Welded or Bolt-on Tabs
- Welded or Bolt-on Flange
- Multiple Sizes of Legs (Floor Stands)

### Custom Laser Cut Machining

Precision laser cut machining for cable glands, window kits and more. Send a detailed drawing to [customerservice@integraenclosures.com](mailto:customerservice@integraenclosures.com) for a quote.

### Custom Printing and Engraving

Full-color silk screening and precise engraving are available. Add your company logo or important safety information to enclosure for a great looking finished product.

*Multiple accessories are available for all models, including custom back panels, swing panels, drip shields and literature trays. Back panels and swing panels can be modified to include custom hole patterns to fit your application.*

*\*2 Door variant with removable center channel & expanded envelope also available.*

### Hinge Options

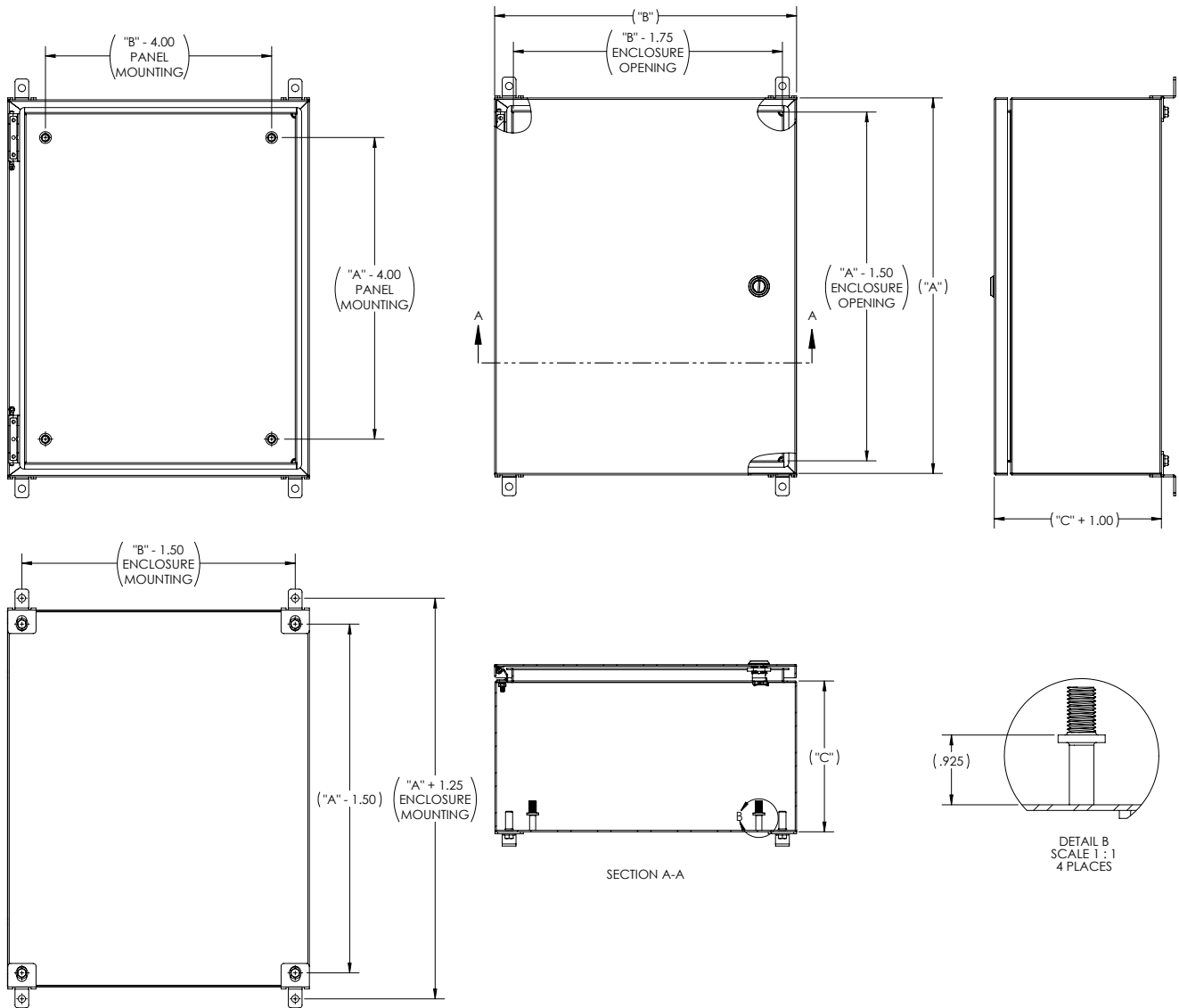
- Removable 316 Stainless Steel Hinge (Pinge™)
- Continuous (Piano) Hinge
- Lift-Off Hinge

### Gaskets

- Polyurethane Foam-In-Place Gasket
- Pressure Sensitive Peel & Stick



# STRONGBOX WALL MOUNT



Submit drawings to [customerservice@integraenclosures.com](mailto:customerservice@integraenclosures.com) for approval and quote.

\*Unless otherwise specified, our standard gauge size for enclosures 20"x20" and smaller are 16 gauge.

For enclosures 20"x20" and larger, our standard is 14 gauge.

## Accessories for Strongbox Custom (For complete accessories, see page 92)



### Back Panels

Aluminum, Stainless Steel and Galvanized Steel back panels can be modified with holes



### Gland Plates

UL NEMA 4X rated gland plates for cable entry. Contact factory for details



### Literature Tray

**9220236-LT** - Large Integra Literature Tray  
**9920237-LT** - Small Integra Literature Tray



### Windows

Flush-mount and exterior-mount window options available. Contact factory for details.



### PEMs

Threaded and non-threaded PEMs can be installed or shipped separately.



### Cord Grips

IP68/NEMA 4X/6P rated  
See page 78 for more details and part numbers.

# STRONGBOX SLOPE TOP



## Features & Benefits

- **Slope Top Options** – Choose between full-face or bull-nose style slope top.
- **Built to spec** – 100% custom enclosures built to order. Work with our engineering dept. to get exactly what you need
- **Precise machining** – laser cut holes for connectors and accessories or window kits for easy viewing.
- **Wide range of sizes**, configurations and accessories provides capabilities for every application.
- **Powder coating available**. Choose from range of RAL color codes.
- **UL508A listed and NEMA 4X rated**



Mechanical & Thermal	Unit	Rating
Temperature Range	Deg. F	-40 to 140
Industry Standards		
UL/C-UL		508A
NEMA Rating		1, 2, 3, 3R, 4, 4X

## WAYS TO CUSTOMIZE

### Start with Quality Materials

We can build with 304 or 316 Stainless Steel or Marine Grade Aluminum.

### Choose your dimensions

We can accommodate various HxWxD requests up to 90 inches tall with the capabilities of multiple doors up to 5. Submit design requirements to engineering. These configurations may not provide a UL rating and are subject to engineering approval.

### Latch Options

- Quarter-Turn Latch
- Integra Locking Latch
- 3-Point Latch (Pad Lockable)

### Mounting Options

- Rivet Nuts or Through Holes
- Welded or Bolt-on Tabs
- Welded or Bolt-on Flange
- Multiple Sizes of Legs (Floor Stands)

### Custom Laser Cut Machining

Precision laser cut machining for cable glands, window kits and more. Send a detailed drawing to [customerservice@integraenclosures.com](mailto:customerservice@integraenclosures.com) for a quote.

### Custom Printing and Engraving

Full-color silk screening and precise engraving are available. Add your company logo or important safety information to enclosure for a great looking finished product.

*Multiple accessories are available for all models, including custom back panels, swing panels, drip shields and literature trays. Back panels and swing panels can be modified to include custom hole patterns to fit your application.*

### Hinge Options

- Removable 316 Stainless Steel Hinge (Pinge™)
- Continuous (Piano) Hinge
- Lift-Off Hinge

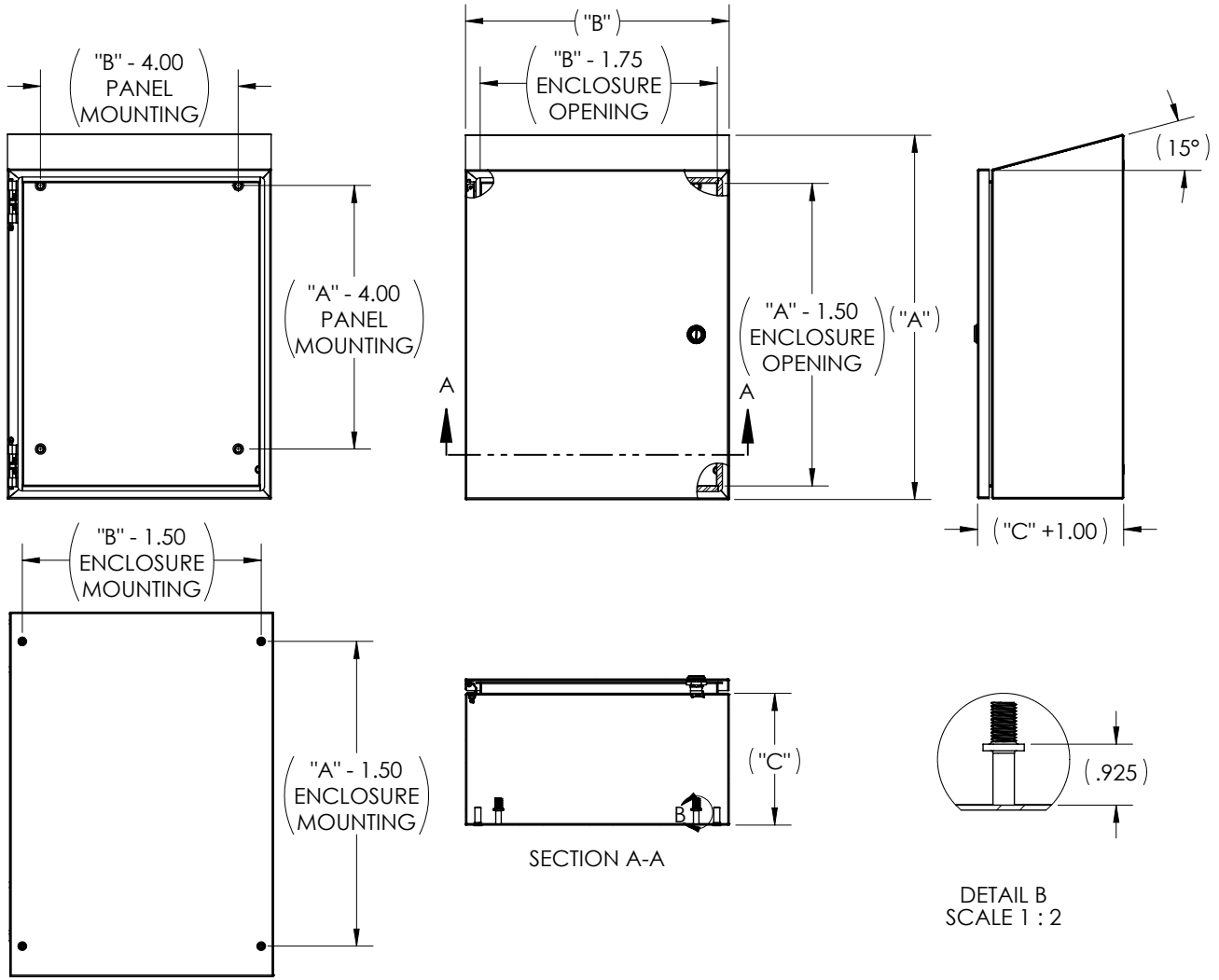
### Gaskets

- Polyurethane Foam-In-Place Gasket
- Pressure Sensitive Peel & Stick





# STRONGBOX SLOPE TOP



Submit drawings to [customerservice@integraenclosures.com](mailto:customerservice@integraenclosures.com) for approval and quote.

\*Unless otherwise specified, our standard gauge size for enclosures 20"x20" and smaller are 16 gauge.

For enclosures 20"x20" and larger, our standard is 14 gauge.

## Accessories for Strongbox Custom



### Back Panels

Aluminum, Stainless Steel and Galvanized Steel Back panels can be modified with holes



### Gland Plates

UL NEMA 4X rated gland plates for cable entry. Contact factory for details



### Literature Tray

**9220236-LT** - Large Integra Literature Tray  
**9920237-LT** - Small Integra Literature Tray



### Windows

Flush-mount and exterior-mount window options available. Contact factory for details.



### PEMs

Threaded and non-threaded PEMs can be installed or shipped separately.



### Cord Grips

IP68/NEMA 4X/6P rated  
See page 78 for more details and part numbers.

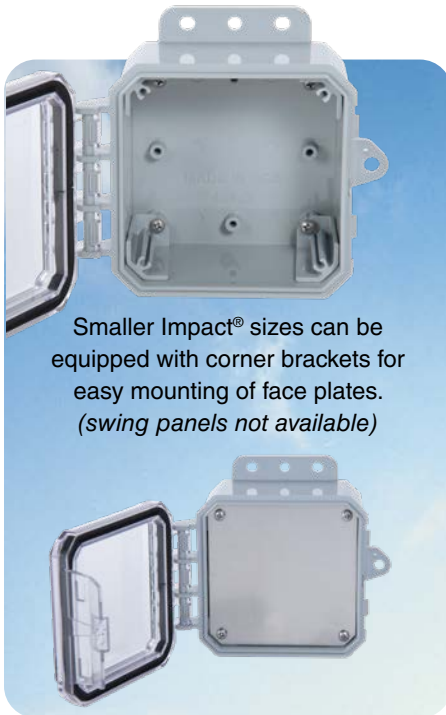


## INTEGRA'S EASY & UNIQUE SWING PANEL & FACE PLATE SYSTEM

### BENEFITS OF SWING PANEL AND FACE PLATE SYSTEM

*Smart, Simple and Easy!*

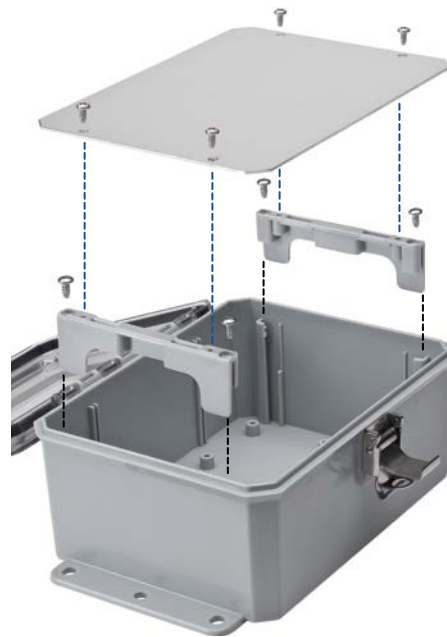
- Minimum number of parts to install
- A phillips head screwdriver is all that is needed to install either system.
- Face plates, swing panels and complete kits in stock
- Custom panels available (consult factory)



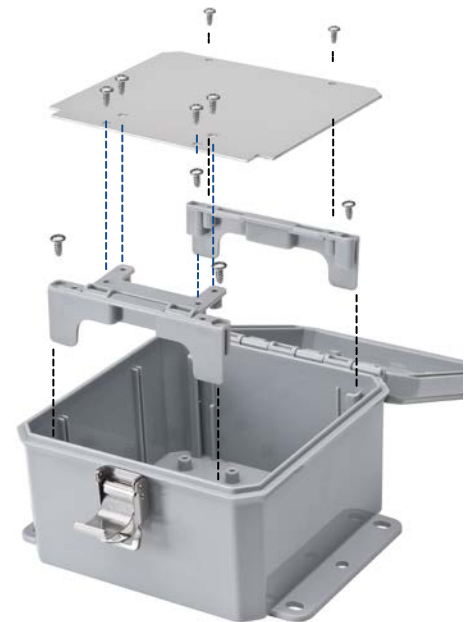
Smaller Impact® sizes can be equipped with corner brackets for easy mounting of face plates. (swing panels not available)

### EXCLUSIVELY AVAILABLE ON THE IMPACT® 6X6X3 AND 8X6X3 ENCLOSURES

**Impact® Face plate Kit Assembly**



**Impact® Swing Panel Kit Assembly**



### TWO SIMPLE STEPS...

#### FACE PLATE System

1. Install Four #8 self-tapping screws to secure the brackets to the enclosure.
2. Install Four #8 self-tapping screws to secure the face plate to brackets.

#### SWING PANEL System

1. Install Four #8 self-tapping screws to secure the brackets to the enclosure.
2. Install Four or Six (your choice) #8 self-tapping screws to secure the swing panel to the brackets.

\* Patent # 10,516,256



# SWING PANEL KITS

**FOR TIMES WHEN YOU NEED EASY ACCESS TO METERS, SWITCHES, READING GAUGES OR OTHER SIGNIFICANT COMPONENTS, INTEGRA'S SWING OUT PANEL KIT IS YOUR SOLUTION.**

Our advanced swing panel kits are cost-effective and designed for a quick and easy installation; panel mount brackets, hinge swing arms, hardware and the swing panel is all that is needed to quickly and cleanly install the swing panel system.

## No drilling required!

The swing panel kit provides an attractive solution for components mounted near the front of the enclosure. Swing panels can be modified to include custom machining and window kits. Swing panel kits are available for all Integra product lines.

## PREMIUM SERIES



### Complete swing panel kit includes:

- Panel
  - Two hinge swing arms
  - Four panel mount brackets
  - Hardware for complete installation
- Panels and hardware for swing panel kits can also be purchased separately at any time.
  - Available in aluminum, white painted steel and PVC.
  - No drilling required!

## IMPACT® SERIES



### Complete swing panel kit includes:

- Panel
  - Two rigid brackets
  - One pivot bracket
  - 8 self-tapping screws
- Panels and hardware for swing panel kits can also be purchased separately at any time.
  - Available in aluminum, white painted steel and PVC.
  - P10084 and larger use Premium Series mounting style.

## GENESIS SERIES



### Complete swing panel kit includes:

- Panel
  - Hinge for swing panel
  - Hardware for complete installation
- Panels and hardware for swing panel kits can also be purchased separately at any time.
  - Full Piano Hinge supports weight of larger enclosure applications.
  - Available in aluminum, white painted steel and PVC.
  - No drilling required!



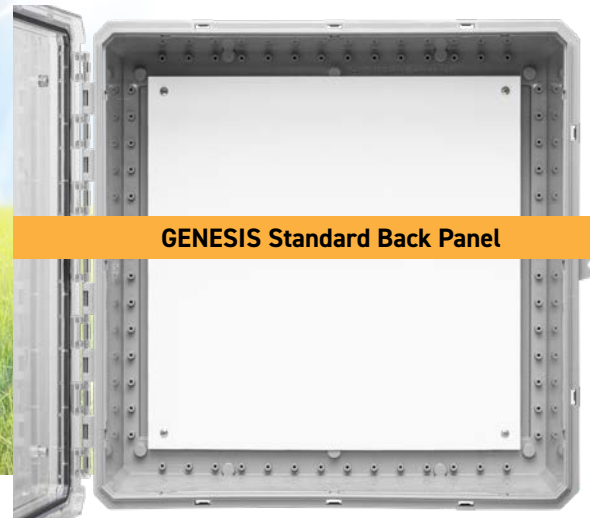
# GENESIS BACK PANELS



## MAKE THE MOST OF YOUR MOUNTING SPACE WITH GENESIS

Our innovative panel options for Genesis enclosures allow for up to 20% more space.

Available in Aluminum & Painted Steel. See page 88 for part numbers.

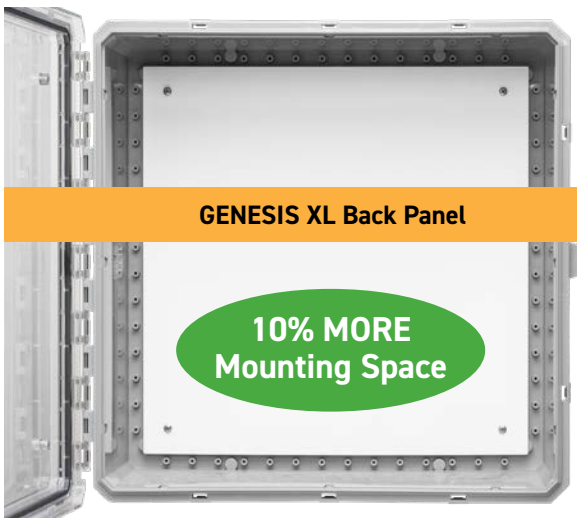


**GENESIS Standard Back Panel**

### PANEL DIMENSIONS

**G2016:** 18.80" x 14.88"

**G2424:** 21.0" x 21.0"



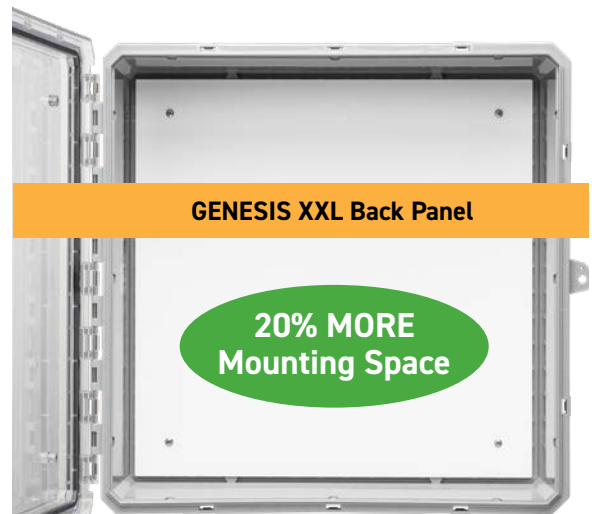
**GENESIS XL Back Panel**

**10% MORE  
Mounting Space**

### PANEL DIMENSIONS

**G2016:** 19.4" x 15.4"

**G2424:** 22.13" x 22.13"



**GENESIS XXL Back Panel**

**20% MORE  
Mounting Space**

### PANEL DIMENSIONS

**G2016:** 21.09" x 17.09"

**G2424:** 23.25" x 23.25"

\*NOT COMPATIBLE WITH MULTIMAX RAILS\*



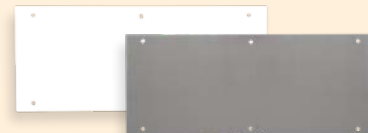
## GENESIS SERIES SIDE PANELS PROVIDE A 3-DIMENSIONAL MOUNTING SPACE

Side panels mount to Integra's Multi-Max® Rail System to create unlimited mounting potential for your application.

### SIDE PANEL DIMENSIONS

**G2016:** 6.25" x 15"

**G2424:** 7.88" x 21.75"





## FINDING THE RIGHT BACK PANEL FOR YOUR APPLICATION



### Aluminum

**Available for:** Premium, Impact & Genesis Series

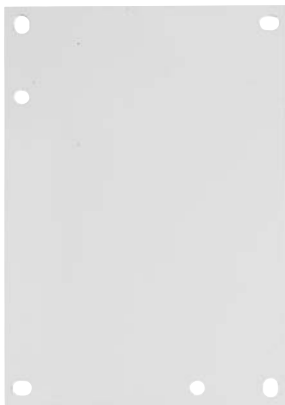
**Advantages:** Lightweight and cost-effective



### PVC

**Available for:** Premium, Impact & Genesis Series

**Advantages:** Non-conductive and lightweight



### Painted Steel

**Available for:** Premium, Impact & Genesis Series

**Advantages:** White powder coat offers corrosion resistance and clean finished look.



### Galvannealed Steel

**Available for:** Strongbox Series

**Advantages:** Annealing process creates strong coating that resists corrosion.



## CUSTOM MACHINED PANELS MAKE COMPONENT INSTALLATION A BREEZE

**Cut out the middle-man and let Integra handle your panel modification needs.** We offer precise machining on all back panels, swing panels and face plates.







## ACCESS CONTROLS WITHOUT SACRIFICING PROTECTION



### Flush Mounted Windows

- Window is flush with front of enclosure door for a clean finished look. Window frame is welded to inner door.
- Hydrophobic FIP gasket creates a dust & water-tight seal.
- Window Material is Impact-Resistant Polycarbonate
- Max Window Size: 24 in x 24 in
- UL508A listed and NEMA 4X rated



### Exterior Mounted Windows

- Window frame is mounted on the outside of the enclosure.
- Ideal for applications where space inside the enclosure is limited
- Window Material: Tempered Glass or Impact-Resistant Polycarbonate
- This style can also receive high-temp gasket.
- Max Window Size: 24 in x 24 in
- UL508A listed and NEMA 4X rated

## AN ECONOMICAL, INTERCHANGEABLE SOLUTION FOR CABLE EGRESS AND ENTRY

### Gland Plates

Ideal for enclosures with multiple hole pattern variations. Easily switch out machined gland plates while maintaining enclosure protection rating.

**Material:** 12ga Stainless Steel with Polyurethane FIP gasket

**Max Usable Gland Area:** Plate size minus 2.5" in all directions

**Max Plate Size:** 48 in x 48 in

UL508A listed and NEMA 4X rated

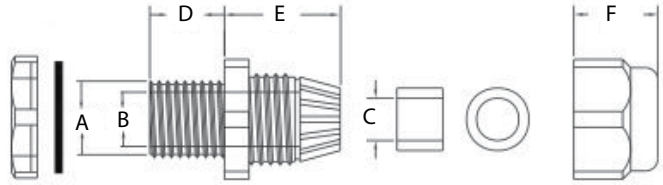




# CORD GRIPS & PLUGS

## Cord Grip Specifications

- Self-locking waterproof design
- Temperature Range: - 4°F to 212°F (-20° C to 100° C)
- IP68/NEMA 4X/6P Rated
- UL 94V-2 and REACH certified and RoHS compliant

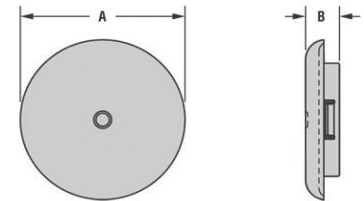


Dimensions in inches (mm)

Part Number	Mounting Hole Dimensions	A	B	C	D	E	F	Cable Diameter Range
CG-LTF7	0.50 (12.7)	.492 (12.5)	.335 (8.5)	.244 (6.2)	.346 (8.8)	.831 (21.1)	.575 (14.6)	.138-.236 (3.5-6)
CG-LTF9	0.61 (15.4)	.614 (15.6)	.433 (11.0)	.346 (8.8)	.339 (8.6)	.902 (22.9)	.587 (14.9)	.157-.315 (4-8)
CG-LTF11	0.74 (18.8)	.724 (18.4)	.547 (13.9)	.398 (10.1)	.382 (9.7)	.941 (23.9)	.661 (16.8)	.197-.394 (5-10)
CG-LTF13.5	0.81 (20.7)	.803 (20.4)	.614 (15.6)	.472 (12.0)	.374 (9.5)	.992 (25.2)	.697 (17.7)	.236-.472 (6-12)
CG-LTF16	0.89 (22.7)	.882 (22.4)	.701 (17.8)	.567 (14.4)	.402 (10.2)	1.051 (26.7)	.705 (17.9)	.394-.551 (10-14)
CG-LTF21	1.12 (28.5)	1.106 (28.1)	.874 (22.2)	.713 (18.1)	.441 (11.2)	1.193 (30.3)	.900 (22.6)	.512-.709 (13-18)
CG-LTF29	1.46 (37.2)	1.469 (37.3)	1.220 (31.0)	.996 (25.3)	.524 (13.3)	1.378 (35.0)	.996 (25.3)	.709-.984 (18-25)
CG-NPT-038	0.69 (17.5)	.657 (16.7)	.425 (10.8)	.406 (10.3)	.575 (14.6)	.937 (23.8)	.661 (16.8)	.197-.394 (5-10)
CG-NPT-050	0.85 (21.5)	.835 (21.2)	.587 (14.9)	.551 (14.0)	.508 (12.9)	1.118 (28.4)	.736 (18.7)	.394-.551 (10-14)
CG-NPT-075	1.06 (27.0)	1.035 (26.3)	.728 (18.5)	.709 (18.0)	.571 (14.5)	1.150 (29.2)	.878 (22.3)	.512-.709 (13-18)
CG-NPT-100	1.34 (34.0)	1.268 (33.2)	1.024 (26.0)	.984 (25.0)	.587 (14.9)	1.378 (35.0)	1.012 (25.7)	.709-.984 (18-25)

## Hole Plug Specifications

- Liquid tight plugs are nylon and elastomer co-molded and can be pierced by round wire, cable or tubing to function as liquid tight bushing.
- Provide liquid tight closure when used as a plug and when pierced.
- Temperature Range: - 40°F to 212°F (-40° C to 100° C)
- UL 635 certified and IP 67/68 rated.



Dimensions in inches (mm)

Part Number	Thickness at Locking Finger Steps	Mounting Hole Diameter	Cable Diameter Range	A Head Diameter	B Overall Height
HOLE PLUG-050	.080 (2.0)	.500 (12.7)	.080-.200 (2.0-5.1)	.92 (23.4)	.63 (15.9)
HOLE PLUG-063	.094 (2.4)	.625 (15.9)	.130-.375 (3.3-9.5)	1.03 (26.2)	.63 (15.9)
HOLE PLUG-075	.125 (3.2)	.750 (19.1)	.175-.400 (4.4-10.2)	1.15 (29.2)	.63 (15.9)
HOLE PLUG-088	.157 (4.0)	.875 (22.2)	.130-.450 (3.3-11.4)	1.28 (32.5)	.63 (15.9)
HOLE PLUG-100	.200 (5.1)	1.00 (25.4)	.200-.715 (5.1-18.2)	1.43 (36.6)	.63 (15.9)

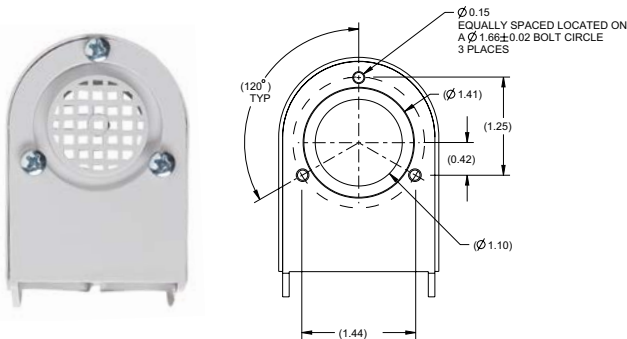




## KEEP YOUR ELECTRONICS COOL WITH INTEGRA'S VENT & FAN KITS

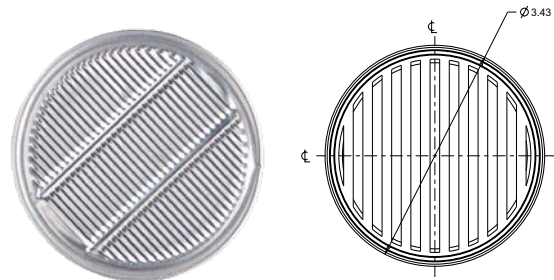
### VENT-2

Part Number	Description
VENT-2	Outdoor Vent - Labyrinth, non-metallic vent



### VENT-3

Part Number	Description
VENT-3	Aluminum Vent - Louvered



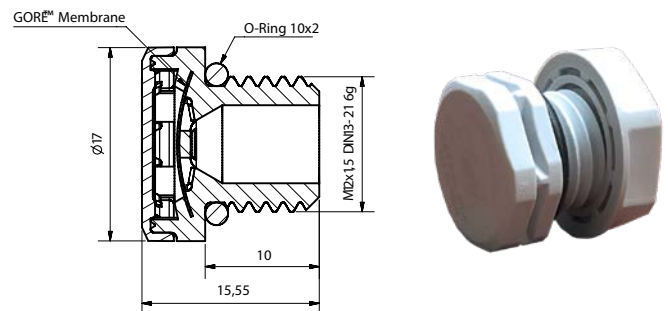
### Fan Shroud Kits

Part Number	Description
FS-KIT-1	Fan Shroud Kit - one piece (includes Gasket & Hardware)
FS-KIT-2	Fan Shroud Kit - two pieces (includes Gasket & Hardware)



### Gore Vents

Part Number	Description
VENT-POLY-GRY	Gore Vent Kit - Gray







# VENTS & FAN SHROUDS

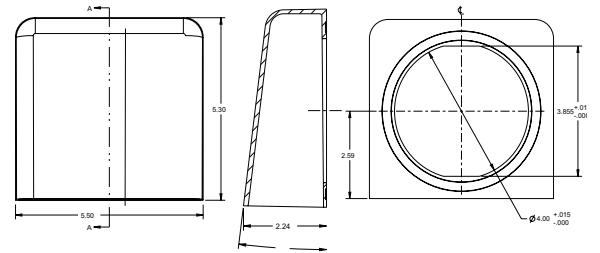
## Fan Shroud Vent Filter Kits

- Designed to keep the elements out of your enclosure while allowing the free air movement from your filtered fan packages.
- Shrouds are sized to fit neatly over your openings and fans.
- Includes fully gasketed seal between filter fan and box
- Kits include template and all mounting hardware
- High impact and UV resistant polycarbonate
- Maintains NEMA Type 3R rating



## Shroud Vent Filter Kits

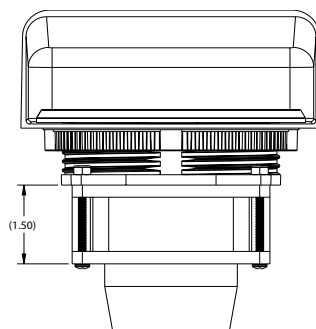
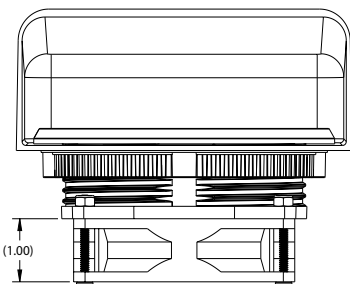
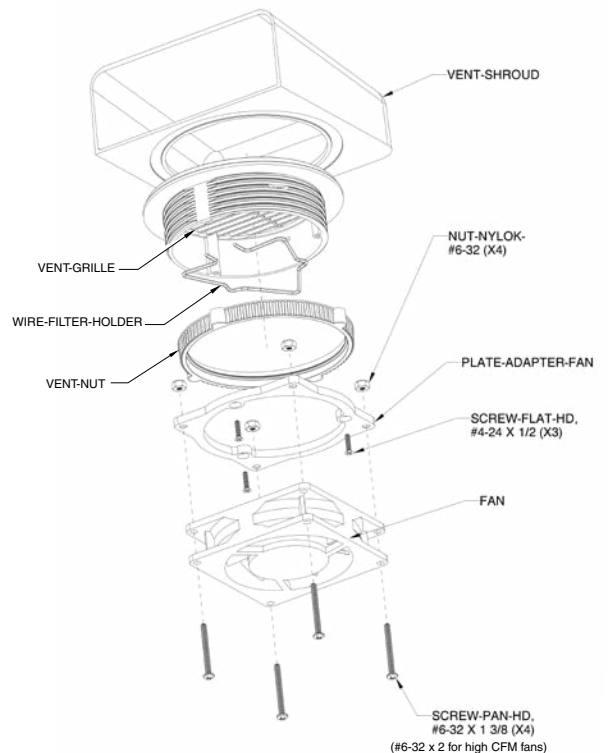
Part Number	Description
FSPK1-G	Fan Shroud Vent Filter Gray - one piece
FSPK2-G	Fan Shroud Vent Filter Kit Gray - two pieces



FOR ADDITIONAL COOLING, MAKE YOUR FILTER FAN A **FORCED AIR SOLUTION**

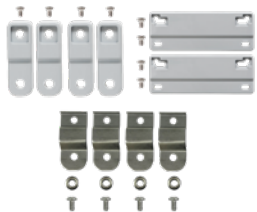
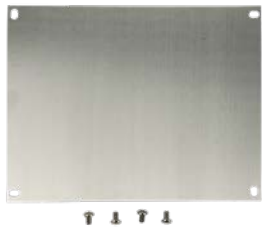


## Forced Air Fan Kits

Part Number	Voltage	CFM	Fan Depth (in)
KIT-FAN-120VAC-30	120 VAC	Low CFM (30)	1.0
KIT-FAN-120VAC-84	120 VAC	High CFM (84)	1.5
KIT-FAN-12VDC-49	12 VDC	Low CFM (49)	1.0
KIT-FAN-12VDC-135	12 VDC	High CFM (135)	1.5
KIT-FAN-24VDC-49	24 VDC	Low CFM (49)	1.0
KIT-FAN-24VDC-135	24 VDC	High CFM (135)	1.5
KIT-FAN-48VDC-50	48 VDC	Low CFM (50)	1.0
KIT-FAN-48VDC-135	48 VDC	High CFM (135)	1.5





## PREMIUM SERIES ACCESSORIES

	Part Number	Description	Size (inches)
<b>Mounting Options</b>			
	MFK-G	Mounting Feet Kit-Premium Line - Gray	N/A
	MFK-B	Mounting Feet Kit-Premium Line - Black	N/A
	MFKSS	Mounting Feet Kit-Stainless Steel	N/A
	MFLK6	Mounting Flange Kit 6"	N/A
	MFLK8	Mounting Flange Kit 8"	N/A
	MFLK10	Mounting Flange Kit 10"	N/A
	MFLK12	Mounting Flange Kit 12"	N/A
	MFLK14	Mounting Flange Kit 14"	N/A
	MFLK16	Mounting Flange Kit 16"	N/A
<b>Aluminum Panels for Component Installation (Four mounting screws included)</b>			
	ABP-66	Aluminum Panel for 6"x6" Enclosure	4.88 x 4.88
	ABP-86	Aluminum Panel for 8"x6" Enclosure	6.75 x 4.88
	ABP-88	Aluminum Panel for 8"x8" Enclosure	6.88 x 6.75
	ABP-108	Aluminum Panel for 10"x8"x4" or 6" Enclosure	8.75 x 6.88
	ABP-1082	Aluminum Panel for 10"x8"x2" Enclosure	8.75 x 6.80
	ABP-1210	Aluminum Panel for 12"x10" Enclosure	10.75 x 8.88
	ABP-1412	Aluminum Panel for 14"x12" Enclosure	12.75 x 10.88
	ABP-1614	Aluminum Panel for 16"x14" Enclosure	14.75 x 12.88
	ABP-1816	Aluminum Panel for 18"x16" Enclosure	16.75 x 14.88
<b>Steel Panels for Component Installation - White Powder Coated (Four mounting screws included)</b>			
	SBP-66	Steel Panel for 6"x6" Enclosure	4.88 x 4.88
	SBP-86	Steel Panel for 8"x6" Enclosure	6.75 x 4.88
	SBP-88	Steel Panel for 8"x8" Enclosure	6.75 x 6.75
	SBP-108	Steel Panel for 10"x8" Enclosure	8.88 x 6.88
	SBP-1082	Steel Panel for 10"x8"x2" Enclosure	6.80 x 8.75
	SBP-1210	Steel Panel for 12"x10" Enclosure	10.88 x 8.88
	SBP-1412	Steel Panel for 14"x12" Enclosure	12.88 x 10.88
	SBP-1614	Steel Panel for 16"x14" Enclosure	14.88 x 12.88
	SBP-1816	Steel Panel for 18"x16" Enclosure	16.88 x 14.88
<b>PVC Panels for Component Installation - Gray (Four mounting screws included)</b>			
	PVCBP-66	PVC Panel for 6"x6" Enclosure	4.88 x 4.88
	PVCBP-86	PVC Panel for 8"x6" Enclosure	6.75 x 4.88
	PVCBP-88	PVC Panel for 8"x8" Enclosure	6.88 x 6.75
	PVCBP-108	PVC Panel for 10"x8"x4" or 6" Enclosure	8.75 x 6.88
	PVCBP-1082	PVC Panel for 10"x8"x2" Enclosure	8.75 x 6.80
	PVCBP-1210	PVC Panel for 12"x10" Enclosure	10.75 x 8.88
	PVCBP-1412	PVC Panel for 14"x12" Enclosure	12.75 x 10.88
	PVCBP-1614	PVC Panel for 16"x14" Enclosure	14.75 x 12.88
	PVCBP-1816	PVC Panel for 18"x16" Enclosure	16.75 x 14.88









# PREMIUM ACCESSORIES

## PREMIUM SERIES ACCESSORIES (CONT.)

	Part Number	Description	Size (inches)
<b>Clear Replacement Covers (Includes Cover Screws and Hole Plugs - Gasket Installed)</b>			
	X66CSC-RPL	Screw Cover   Clear	6 x 6
	X66CHC-RPL	Hinged Cover   Clear	6 x 6
	X86CSC-RPL	Screw Cover   Clear	8 x 6
	X86CHC-RPL	Hinged Cover   Clear	8 x 6
	X88CSC-RPL	Screw Cover   Clear	8 x 8
	X88CHC-RPL	Hinged Cover   Clear	8 x 8
	X108CSC-RPL	Screw Cover   Clear	10 x 8
	X108CHC-RPL	Hinged Cover   Clear	10 x 8
	X1210CSC-RPL	Screw Cover   Clear	12 x 10
	X1210CHC-RPL	Hinged Cover   Clear	12 x 10
	X1412CSC-RPL	Screw Cover   Clear	14 x 12
	X1412CHC-RPL	Hinged Cover   Clear	14 x 12
	X1614CSC-RPL	Screw Cover   Clear	16 x 14
	X1614CHC-RPL	Hinged Cover   Clear	16 x 14
	X1618CHC-RPL	Hinged Cover   Clear	16 x 18
	X1816CSC-RPL	Screw Cover   Clear	18 x 16
	X1816CHC-RPL	Hinged Cover   Clear	18 x 16
	<b>Opaque Replacement Covers (Includes Cover Screws and Hole Plugs - Gasket Installed)</b>		
	H66CSO-RPL	Screw Cover   Opaque	6 x 6
	H66CHO-RPL	Hinged Cover   Opaque	6 x 6
	H86CSO-RPL	Screw Cover   Opaque	8 x 6
	H86CHO-RPL	Hinged Cover   Opaque	8 x 6
	H88CSO-RPL	Screw Cover   Opaque	8 x 8
	H88CHO-RPL	Hinged Cover   Opaque	8 x 8
	H108CSO-RPL	Screw Cover   Opaque	10 x 8
	H108CHO-RPL	Hinged Cover   Opaque	10 x 8
	H1210CSO-RPL	Screw Cover   Opaque	12 x 10
	H1210CHO-RPL	Hinged Cover   Opaque	12 x 10
	H1412CSO-RPL	Screw Cover   Opaque	14 x 12
	H1412CHO-RPL	Hinged Cover   Opaque	14 x 12
	H1614CSO-RPL	Screw Cover   Opaque	16 x 14
	H1614CHO-RPL	Hinged Cover   Opaque	16 x 14
	H1618CHO-RPL	Hinged Cover   Opaque	16 x 18
	H1816CSO-RPL	Screw Cover   Opaque	18 x 16
	H1816CHO-RPL	Hinged Cover   Opaque	18 x 16
	<b>Swing Panel Kit Hardware Only</b> <i>Kit includes the two hinge swing arms, four panel mount brackets and hardware needed for Premium enclosure</i>		
	USOPK-B	Universal Swing Panel Kit - Black	N/A
	USOPK-G	Universal Swing Panel Kit - Gray	N/A
	USOPK-B-PVC	Swing Panel Kit for PVC Back Panel - Black	N/A
	USOPK-G-PVC	Swing Panel Kit for PVC Back Panel - Gray	N/A



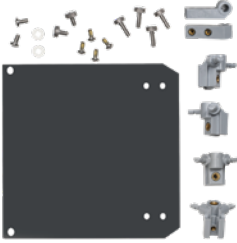

## PREMIUM SERIES ACCESSORIES (CONT.)

	Part Number	Description	Size (inches)
<b>Aluminum Swing Panels Pre-Drilled For SOPK</b>			
	ABP-66USP	Aluminum Swing Panel for 6x6 Enclosure	4.92 x 4.92
	ABP-86USP	Aluminum Swing Panel for 8x6 Enclosure	6.75 x 4.87
	ABP-88USP	Aluminum Swing Panel for 8x8 Enclosure	6.75 x 6.87
	ABP-108USP	Aluminum Swing Panel for 10x8 Enclosure	8.75 x 6.88
	ABP-1210USP	Aluminum Swing Panel for 12x10 Enclosure	10.88 x 8.88
	ABP-1412USP	Aluminum Swing Panel for 14x12 Enclosure	12.88 x 10.88
	ABP-1614USP	Aluminum Swing Panel for 16x14 Enclosure	14.88 x 12.88
	ABP-1618USP	Aluminum Swing Panel for 16x18 Enclosure	14.88 x 16.75
	ABP-1816USP	Aluminum Swing Panel for 18x16 Enclosure	16.75 x 14.88
<b>Aluminum Swing Panel Kits (Includes Panel and Hardware)</b>			
	ABP-66-USOPK	Swing Panel Kit for 6x6 Enclosure	4.92 x 4.92
	ABP-86-USOPK	Swing Panel Kit for 8x6 Enclosure	6.75 x 4.87
	ABP-88-USOPK	Swing Panel Kit for 8x8 Enclosure	6.75 x 6.87
	ABP-108-USOPK	Swing Panel Kit for 10x8 Enclosure	8.75 x 6.88
	ABP-1210-USOPK	Swing Panel Kit for 12x10 Enclosure	10.88 x 8.88
	ABP-1412-USOPK	Swing Panel Kit for 14x12 Enclosure	12.88 x 10.88
	ABP-1614-USOPK	Swing Panel Kit for 16x14 Enclosure	14.88 x 12.88
	ABP-1618-USOPK	Swing Panel Kit for 16 x 18 Enclosure	14.88 x 16.75
	ABP-1816-USOPK	Swing Panel Kit for 18x16 Enclosure	16.75 x 14.88
<b>Steel Swing Panels Pre-drilled for SOPK - White Powder Coated</b>			
	SBP-66USP	Steel Swing Panel for 6x6 Enclosure	4.92 x 4.92
	SBP-86USP	Steel Swing Panel for 8x6 Enclosure	6.75 x 4.87
	SBP-88USP	Steel Swing Panel for 8x8 Enclosure	6.75 x 6.87
	SBP-108USP	Steel Swing Panel for 10x8 Enclosure	8.75 x 6.88
	SBP-1082USP	Steel Swing Panel for H10082 Enclosure	8.75 x 6.8
	SBP-1210USP	Steel Swing Panel for 12x10 Enclosure	10.88 x 8.88
	SBP-1412USP	Steel Swing Panel for 14x12 Enclosure	12.88 x 10.88
	SBP-1614USP	Steel Swing Panel for 16x14 Enclosure	14.88 x 12.88
	SBP-1816USP	Steel Swing Panel for 18x16 Enclosure	16.75 x 14.88
<b>Steel Swing Panel Kits (Includes Panel and Hardware)</b>			
	SBP-66-USOPK	Steel Swing Panel Kit for 6x6 Enclosure	4.92 x 4.92
	SBP-86-USOPK	Steel Swing Panel Kit for 8x6 Enclosure	6.75 x 4.87
	SBP-88-USOPK	Steel Swing Panel Kit for 8x8 Enclosure	6.75 x 6.87
	SBP-108-USOPK	Steel Swing Panel Kit for 10x8 Enclosure	8.75 x 6.88
	SBP-1210-USOPK	Steel Swing Panel Kit for 12x10 Enclosure	10.88 x 8.88
	SBP-1412-USOPK	Steel Swing Panel Kit for 14x12 Enclosure	12.88 x 10.88
	SBP-1614-USOPK	Steel Swing Panel Kit for 16x14 Enclosure	14.88 x 12.88
	SBP-1816-USOPK	Steel Swing Panel Kit for 18x16 Enclosure	16.75 x 14.88



# PREMIUM ACCESSORIES

## PREMIUM SERIES ACCESSORIES (CONT.)

	Part Number	Description	Size (inches)
<b>PVC Swing Panel Kits (Includes Panel and Hardware)</b>			
	PVC-66-USOPK	PVC Swing Panel Kit for 6x6 Enclosure	4.92 x 4.92
	PVC-86-USOPK	PVC Swing Panel Kit for 8x6 Enclosure	6.75 x 4.87
	PVC-88-USOPK	PVC Swing Panel Kit for 8x8 Enclosure	6.75 x 6.87
	PVC-108-USOPK	PVC Swing Panel Kit for 10x8 Enclosure	8.75 x 6.88
	PVC-1210-USOPK	PVC Swing Panel Kit for 12x10 Enclosure	10.88 x 8.88
	PVC-1412-USOPK	PVC Swing Panel Kit for 14x12 Enclosure	12.88 x 10.88
	PVC-1614-USOPK	PVC Swing Panel Kit for 16x14 Enclosure	14.88 x 12.88
	PVC-1816-USOPK	PVC Swing Panel Kit for 18x16 Enclosure	16.75 x 14.88
<b>Miscellaneous Accessories</b>			
	BPAKB	Back Panel Adjustment Kit - Black Set Screw	N/A
	BPAKG	Back Panel Adjustment Kit - Gray Set Screw	N/A
	UBPAK-B	Universal Back Panel Adjustment Kit - Black Thumb Screw	N/A
	UBPAK-G	Universal Back Panel Adjustment Kit - Gray Thumb Screw	N/A
	Cover Kit 4-4	Cover Kit - Includes 4 Hole Plugs and 4 Screws	N/A
	DIN6	DIN Rail Kit 6" (2 rails, 4 screws)	4.88 x 1.39
	DIN8	DIN Rail Kit 8" (2 rails, 4 screws)	6.75 x 1.39
	DIN10	DIN Rail Kit 10" (2 rails, 4 screws)	8.75 x 1.39
	DIN12	DIN Rail Kit 12" (2 rails, 4 screws)	10.75 x 1.39
	DIN14	DIN Rail Kit 14" (2 rails, 4 screws)	12.75 x 1.39
	DIN16	DIN Rail Kit 16" (2 rails, 4 screws)	15.00 x 1.39
	DIN18	DIN Rail Kit 18" (2 rails, 4 screws)	16.50 x 1.39
	Gasket Repair Kit	Gasket Repair Kit - Gasket and Silicone Tube (All Sizes)	N/A
	KIT-FAN-120VAC-30	Fan Kit - 120 AVC	N/A
	KIT-FAN-120VAC-84	Fan Kit - 120 VAC	N/A
	KIT-FAN-12VDC-135	Fan Kit - 12 VDC	N/A
	KIT-FAN-12VDC-49	Fan Kit - 12 VDC	N/A
	KIT-FAN-24VDC-135	Fan Kit - 24 VDC	N/A
	KIT-FAN-24VDC-49	Fan Kit - 24 VDC	N/A
	KIT-FAN-48VDC-135	Fan Kit - 48 VDC	N/A
KIT-FAN-48VDC-50	Fan Kit - 48 VDC	N/A	
KIT-NMMLL-050	Non-Metallic Latch Kit. Used for H8064 & H8084	N/A	
KIT-NMMLL-063	Standard Non-Metallic Latch Kit. Used for H6064, H10082, H10084, H10086, H12104, H12106, H141206	N/A	
KIT-NMMLL-075	Non-Metallic Latch Kit. Used for H161407 & H181610	N/A	
SP-10I	Screw Pack (for mounting to bosses, 10 piece)	N/A	
SLL-KIT	Stainless Steel Locking Latch Kit (includes 1 latch with hardware)	N/A	
SLL-075-KIT	Stainless Steel Locking Latch Kit for H161407 & H181610	N/A	
Cat 60 Lock	Cat 60 Lock	N/A	
Cat 90 Lock	Cat 90 Lock	N/A	
Vent 2	Outdoor Labyrinth Vent	N/A	
Vent 3	3" Aluminum Louvered Vent	N/A	



## PREMIUM SERIES ACCESSORIES (CONT.)

	Part Number	Description	Size (inches)
<b>Pole Mounting Kits</b>			
	PMKG-234-6	For 6" Wide Enclosure - 2", 3", 4" Pole	N/A
	PMKG-234-8	For 8" Wide Enclosure - 2", 3", 4" Pole	N/A
	PMKG-234-10	For 10" Wide Enclosure - 2", 3", 4" Pole	N/A
	PMKG-234-12	For 12" Wide Enclosure - 2", 3", 4" Pole	N/A
	PMKG-234-14	For 14" Wide Enclosure - 2", 3", 4" Pole	N/A
	PMKG-26	For 6" Wide Enclosure - 2" Pole	N/A
	PMKG-28	For 8" Wide Enclosure - 2" Pole	N/A
	PMKG-210	For 10" Wide Enclosure - 2" Pole	N/A
	PMKG-212	For 12" Wide Enclosure - 2" Pole	N/A
	PMKG-214	For 14" Wide Enclosure - 2" Pole	N/A
	PMKG-216	For 16" Wide Enclosure - 2" Pole	N/A
	PMKG-218	For 18" Wide Enclosure - 2" Pole	N/A
	PMKG-36	For 6" Wide Enclosure - 3" Pole	N/A
	PMKG-38	For 8" Wide Enclosure - 3" Pole	N/A
	PMKG-310	For 10" Wide Enclosure - 3" Pole	N/A
	PMKG-312	For 12" Wide Enclosure - 3" Pole	N/A
	PMKG-314	For 14" Wide Enclosure - 3" Pole	N/A
	PMKG-316	For 16" Wide Enclosure - 3" Pole	N/A
	PMKG-318	For 18" Wide Enclosure - 3" Pole	N/A
	PMKG-46	For 6" Wide Enclosure - 4" Pole	N/A
	PMKG-48	For 8" Wide Enclosure - 4" Pole	N/A
	PMKG-410	For 10" Wide Enclosure - 4" Pole	N/A
	PMKG-412	For 12" Wide Enclosure - 4" Pole	N/A
	PMKG-414	For 14" Wide Enclosure - 4" Pole	N/A
	PMKG-416	For 16" Wide Enclosure - 4" Pole	N/A
	PMKG-418	For 18" Wide Enclosure - 4" Pole	N/A
	PMKG-126	For 6" Wide Enclosure - 12" Pole	N/A
	PMKG-128	For 8" Wide Enclosure - 12" Pole	N/A
	PMKG-1210	For 10" Wide Enclosure - 12" Pole	N/A
	PMKG-1212	For 12" Wide Enclosure - 12" Pole	N/A
PMKG-1214	For 14" Wide Enclosure - 12" Pole	N/A	
PMKG-1216	For 16" Wide Enclosure - 12" Pole	N/A	
PMKG-1218	For 18" Wide Enclosure - 12" Pole	N/A	









# IMPACT ACCESSORIES

## IMPACT® SERIES ACCESSORIES

	Part Number	Description	Size (inches)
<b>Aluminum Back Panels (Four mounting screws included)</b>			
	ABP-44-IMP	Aluminum Back Panel for Impact® 4"x4" Enclosure	3.50 x 3.50
	ABP-55-IMP	Aluminum Back Panel for Impact® 5"x5" Enclosure	4.06 x 4.06
	ABP-64-IMP	Aluminum Back Panel for Impact® 6"x4" Enclosure	3.05 x 5.05
	ABP-66-IMP	Aluminum Back Panel for Impact® 6"x6" Enclosure	4.88 x 4.88
	ABP-86-IMP	Aluminum Back Panel for Impact® 8"x6" Enclosure	6.75 x 4.88
	ABP-98-IMP	Aluminum Back Panel for Impact® 9"x8" Enclosure	6.75 x 6.88
	ABP-108-IMP	Aluminum Back Panel for Impact® 10"x8" Enclosure	8.75 x 6.88
	ABP-1210-IMP	Aluminum Back Panel for Impact® 12"x10" Enclosure	10.75 x 8.88
<b>Steel Back Panels (Four mounting screws included)</b>			
	SBP-44-IMP	Steel Back Panel for Impact® 4"x4" Enclosure	3.50 x 3.50
	SBP-55-IMP	Steel Back Panel for Impact® 5"x5" Enclosure	4.06 x 4.06
	SBP-64-IMP	Steel Back Panel for Impact® 6"x4" Enclosure	3.05 x 5.05
	SBP-66-IMP	Steel Back Panel for Impact® 6"x6" Enclosure	4.88 x 4.88
	SBP-86-IMP	Steel Back Panel for Impact® 8"x6" Enclosure	6.75 x 4.88
	SBP-98-IMP	Steel Back Panel for Impact® 9"x8" Enclosure	6.75 x 6.88
	SBP-108-IMP	Steel Back Panel for Impact® 10"x8" Enclosure	8.75 x 6.88
	SBP-1210-IMP	Steel Back Panel for Impact® 12"x10" Enclosure	10.75 x 8.88
<b>PVC Back Panels (Four mounting screws included)</b>			
	PVCBP44-IMP	PVC Panel for Impact® 4"x4" Enclosure	3.50 x 3.50
	PVCBP55-IMP	PVC Panel for Impact® 5"x5" Enclosure	4.06 x 4.06
	PVCBP64-IMP	PVC Panel for Impact® 6"x4" Enclosure	3.05 x 5.05
	PVCBP66-IMP	PVC Panel for Impact® 6"x6" Enclosure	4.88 x 4.88
	PVCBP86-IMP	PVC Panel for Impact® 8"x6" Enclosure	6.75 x 4.88
	PVCBP98-IMP	PVC Panel for Impact® 9"x8" Enclosure	6.75 x 6.88
	PVCBP108-IMP	PVC Panel for Impact® 10"x8" Enclosure	8.75 x 6.88
	PVCBP-1210-IMP	PVC Panel for Impact® 12"x10" Enclosure	10.75 x 8.88
<b>Aluminum Face Plates</b>			
	AFP44-IMP	Aluminum Face Plate for P4043 Enclosures	4.29 x 4.29
	AFP55-IMP	Aluminum Face Plate for P5053 Enclosures	4.92 x 4.92
	AFP64-IMP	Aluminum Face Plate for P6044 Enclosures	5.92 x 3.92
	AFP66-IMP	Aluminum Face Plate for P6063 Enclosures	5.93 x 5.93
	AFP86-IMP	Aluminum Face Plate for P8063 Enclosures	7.93 x 5.93
	AFP108-IMP	Aluminum Face Plate for P1008 Enclosures	9.88 x 7.88
	AFP1210-IMP	Aluminum Face Plate for P1210 Enclosures	11.88 x 9.88
<b>Steel Face Plates - White Powder Coating</b>			
	SFP44-IMP	Steel Powder Coated Face Plate for P4043 Enclosures	4.29 x 4.29
	SFP55-IMP	Steel Powder Coated Face Plate for P5053 Enclosures	4.92 x 4.92
	SFP64-IMP	Steel Powder Coated Face Plate for P6044 Enclosures	5.92 x 3.92
	SFP66-IMP	Steel Powder Coated Face Plate for P6063 Enclosures	5.93 x 5.93
	SFP86-IMP	Steel Powder Coated Face Plate for P8063 Enclosures	7.93 x 5.93
	SFP108-IMP	Steel Powder Coated Face Plate for P1008 Enclosures	9.88 x 7.88
	SFP1210-IMP	Steel Powder Coated Face Plate for P1210 Enclosures	11.88 x 9.88



## IMPACT® SERIES ACCESSORIES (CONT.)

	Part Number	Description	Size (inches)
<b>Face Plate Kits and Parts</b>			
Face Plate Kit for P4043, P5053 & P6044 Enclosures 	CB43-IMP*	Support Rails and Screws for P4043 face plate (panel not included)	N/A
	CB53-IMP*	Support Rails and Screws for P5053 face plate (panel not included)	N/A
	CB64-IMP*	Support Rails and Screws for P6044 face plate (panel not included)	N/A
	AFPK44-IMP*	Aluminum Face Plate Kit for P4043 (Includes Panel and Support Kit)	N/A
	AFPK55-IMP*	Aluminum Face Plate Kit for P5053 (Includes Panel and Support Kit)	N/A
	AFPK64-IMP*	Aluminum Face Plate Kit for P6044 (Includes Panel and Support Kit)	N/A
	AFPK66-IMP	Aluminum Face Plate Kit for P6063 (Includes Panel and Hardware)	N/A
	AFPK86-IMP	Aluminum Face Plate Kit for P8063 (Includes Panel and Hardware)	N/A
	AFPK108-IMP	Aluminum Face Plate Kit for P1008 (Includes Panel and Hardware)	N/A
Face Plate Kit for P6063, P8063 Enclosures 	AFPK1210-IMP	Aluminum Face Plate Kit for P1210 (Includes Panel and Hardware)	N/A
	SFPK44-IMP*	Steel Face Plate Kit for P4043 (Includes Panel and Support Kit)	N/A
	SFPK55-IMP*	Steel Face Plate Kit for P5053 (Includes Panel and Support Kit)	N/A
	SFPK64-IMP*	Steel Face Plate Kit for P6044 (Includes Panel and Support Kit)	N/A
	SFPK66-IMP	Steel Face Plate Kit for P6063 (Includes Panel and Hardware)	N/A
	SFPK86-IMP	Steel Face Plate Kit for P8063 (Includes Panel and Hardware)	N/A
	SFPK108-IMP	Steel Face Plate Kit for P1008 (Includes Panel and Hardware)	N/A
	SFPK1210-IMP	Steel Face Plate Kit for P1210 (Includes Panel and Hardware)	N/A
	<b>Swing Panels (Hardware Not Included)</b>		
	ASWP66-IMP	Aluminum Swing Panel for P6063 Enclosures	5.90 x 5.38
	ASWP86-IMP	Aluminum Swing Panel for P8063 Enclosures	7.38 x 5.93
	SSWP66-IMP	Steel Swing Panel for P6063 Enclosures	5.90 x 5.38
	SSWP86-IMP	Steel Swing Panel for P8063 Enclosures	7.38 x 5.90
<b>Swing Panel Kits and Parts</b>			
	SOPK66-86-IMP	Swing Panel Hardware Kit for P6063 and P8063 (Panel Not Included)	N/A
	ASWPK66-IMP	Aluminum Swing Panel Kit for P6063 (Includes Panel and Hardware)	N/A
	ASWPK86-IMP	Aluminum Swing Panel Kit for P8063 (Includes Panel and Hardware)	N/A
	ABP-108-USOPK	Aluminum Swing Panel Kit for P1008 (Panel and Hardware)	N/A
	ABP-1210-USOPK	Aluminum Swing Panel Kit for P1210 (Panel and Hardware)	N/A
	SSWPK66-IMP	Steel Swing Panel Kit for P6063 (Includes Panel and Hardware)	N/A
	SSWPK86-IMP	Steel Swing Panel Kit for P8063 (Includes Panel and Hardware)	N/A
	SBP-108-USOPK	Steel Swing Panel Kit for P1008 (Panel and Hardware)	N/A
	SBP-1210-USOPK	Steel Swing Panel Kit for P1210 (Panel and Hardware)	N/A

\* Patent # 10,516,256



# IMPACT ACCESSORIES

## IMPACT® SERIES ACCESSORIES (CONT.)

	Part Number	Description	Size (inches)
<b>Replacement Covers (Includes Cover with Gasket - Hasp Latches Not Included)</b>			
	P44CHO-RPL	Standard hinge   Opaque   Integrated latch	4 x 4
	P44CHC-RPL	Standard hinge   Clear   Integrated latch	4 x 4
	P44CHOLL-RPL	Standard hinge   Opaque   Hasp latch	4 x 4
	P44CHCLL-RPL	Standard hinge   Clear   Hasp latch	4 x 4
	P44CLPO-RPL	Low profile hinge   Opaque   Integrated latch	4 x 4
	P44CLPC-RPL	Low profile hinge   Clear   Integrated latch	4 x 4
	P44CLPOLL-RPL	Low profile hinge   Opaque   Hasp latch	4 x 4
	P44CLPCLL-RPL	Low profile hinge   Clear   Hasp latch	4 x 4
	P55CHO-RPL	Standard hinge   Opaque   Integrated latch	5 x 5
	P55CHC-RPL	Standard hinge   Clear   Integrated latch	5 x 5
	P55CHOLL-RPL	Standard hinge   Opaque   Hasp latch	5 x 5
	P55CHCLL-RPL	Standard hinge   Clear   Hasp latch	5 x 5
	P55CLPO-RPL	Low profile hinge   Opaque   Integrated latch	5 x 5
	P55CLPC-RPL	Low profile hinge   Clear   Integrated latch	5 x 5
	P55CLPOLL-RPL	Low profile hinge   Opaque   Hasp latch	5 x 5
	P55CLPCLL-RPL	Low profile hinge   Clear   Hasp latch	5 x 5
	P64CHO-RPL	Standard hinge   Opaque   Integrated latch	6 x 4
	P64CHC-RPL	Standard hinge   Clear   Integrated latch	6 x 4
	P64CHOLL-RPL	Standard hinge   Opaque   Hasp latch	6 x 4
	P64CHCLL-RPL	Standard hinge   Clear   Hasp latch	6 x 4
	P64CLPO-RPL	Low profile hinge   Opaque   Integrated latch	6 x 4
	P64CLPC-RPL	Low profile hinge   Clear   Integrated latch	6 x 4
	P64CLPOLL-RPL	Low profile hinge   Opaque   Hasp latch	6 x 4
	P64CLPCLL-RPL	Low profile hinge   Clear   Hasp latch	6 x 4
	P66CHO-RPL	Standard hinge   Opaque   Integrated latch	6 x 6
	P66CHC-RPL	Standard hinge   Clear   Integrated latch	6 x 6
	P66CHOLL-RPL	Standard hinge   Opaque   Hasp latch	6 x 6
	P66CHCLL-RPL	Standard hinge   Clear   Hasp latch	6 x 6
	P66CLPO-RPL	Low profile hinge   Opaque   Integrated latch	6 x 6
	P66CLPC-RPL	Low profile hinge   Clear   Integrated latch	6 x 6
	P66CLPOLL-RPL	Low profile hinge   Opaque   Hasp latch	6 x 6
	P66CLPCLL-RPL	Low profile hinge   Clear   Hasp latch	6 x 6
	P86CHO-RPL	Standard hinge   Opaque   Integrated latch	8 x 6
	P86CHC-RPL	Standard hinge   Clear   Integrated latch	8 x 6
	P86CHOLL-RPL	Standard hinge   Opaque   Hasp latch	8 x 6
	P86CHCLL-RPL	Standard hinge   Clear   Hasp latch	8 x 6
	P86CLPO-RPL	Low profile hinge   Opaque   Integrated latch	8 x 6
	P86CLPC-RPL	Low profile hinge   Clear   Integrated latch	8 x 6



## IMPACT® SERIES ACCESSORIES (CONT.)

	Part Number	Description	Size (inches)
<b>Replacement Covers (Includes Cover with Gasket - Hasp Latches Not Included)</b>			
	P86CLPOLL-RPL	Low profile hinge   Opaque   Hasp latch	8 x 6
	P86CLPCLL-RPL	Low profile hinge   Clear   Hasp latch	8 x 6
	P98CHO-RPL	Standard hinge   Opaque   Integrated latch	9 x 8
	P98CHC-RPL	Standard hinge   Clear   Integrated latch	9 x 8
	P108CHO-RPL	Standard hinge   Opaque   Integrated latch	10 x 8
	P108CHC-RPL	Standard hinge   Clear   Integrated latch	10 x 8
	P108CHOLL-RPL	Standard hinge   Opaque   Hasp latch	10 x 8
	P108CHCLL-RPL	Standard hinge   Clear   Hasp latch	10 x 8
	P108CLPO-RPL	Low profile hinge   Opaque   Integrated latch	10 x 8
	P108CLPC-RPL	Low profile hinge   Clear   Integrated latch	10 x 8
	P108CLPOLL-RPL	Low profile hinge   Opaque   Hasp latch	10 x 8
	P108CLPCLL-RPL	Low profile hinge   Clear   Hasp latch	10 x 8
	P1210CHO-RPL	Standard hinge   Opaque   Integrated latch	12 x 10
	P1210CHC-RPL	Standard hinge   Clear   Integrated latch	12 x 10
	P1210CHOLL-RPL	Standard hinge   Opaque   Hasp latch	12 x 10
	P1210CHCLL-RPL	Standard hinge   Clear   Hasp latch	12 x 10
	P1210CLPO-RPL	Low profile hinge   Opaque   Integrated latch	12 x 10
	P1210CLPC-RPL	Low profile hinge   Clear   Integrated latch	12 x 10
	P1210CLPOLL-RPL	Low profile hinge   Opaque   Hasp latch	12 x 10
	P1210CLPCLL-RPL	Low profile hinge   Clear   Hasp latch	12 x 10
<b>Pole Mounting Kits</b>			
	PMKG-25-IMP	For 5" Enclosure - 2" pole	N/A
	PMKG-26-IMP	For 6" Enclosure - 2" pole	N/A
	PMKG-28-IMP	For 8" Enclosure - 2" pole	N/A
	PMKG-210-IMP	For 10" Enclosure - 2" pole	N/A
	PMKG-35-IMP	For 5" Enclosure - 3" pole	N/A
	PMKG-36-IMP	For 6" Enclosure - 3" pole	N/A
	PMKG-38-IMP	For 8" Enclosure - 3" pole	N/A
	PMKG-310-IMP	For 10" Enclosure - 3" pole	N/A
	PMKG-45-IMP	For 5" Enclosure - 4" pole	N/A
	PMKG-46-IMP	For 6" Enclosure - 4" pole	N/A
	PMKG-48-IMP	For 8" Enclosure - 4" pole	N/A
	PMKG-410	For 10" Enclosure - 4" pole	N/A
	PMKG-125-IMP	For 5" Enclosure - 10" to 12" pole	N/A
	PMKG-126-IMP	For 6" Enclosure - 10" to 12" pole	N/A
	PMKG-128-IMP	For 8" Enclosure - 10" to 12" pole	N/A
	PMKG-1210-IMP	For 10" Enclosure - 10" to 12" pole	N/A
	CAMKG-610-IMP	6" Cross Arm Pole Mount Kit for P9082	N/A
	PMKG-2346-IMP	Universal Pole Mount Kit for all Impact Enclosures. For 2"-6" Pole	N/A
PMKG-12-IMP	Universal Pole Mount Kit for all Impact Enclosures. For 12" Pole	N/A	



# IMPACT ACCESSORIES

## IMPACT® SERIES ACCESSORIES (CONT.)

	Part Number	Description	Size (inches)
<b>Miscellaneous Accessories</b>			
	DIN4-IMP	DIN Rail Kit 4" (2 rails, 4 tapping screws)	3.82 x 1.39
	DIN5-IMP	DIN Rail Kit 5" (2 rails, 4 tapping screws)	4.88 x 1.39
	DIN6-IMP	DIN Rail Kit 6" (2 rails, 4 tapping screws)	4.50 x 1.39
	DIN8-IMP	DIN Rail Kit 8" (2 rails, 4 tapping screws)	6.75 x 1.39
	DIN10-IMP	DIN Rail Kit 10" (2 rails, 4 tapping screws)	8.75 x 1.39
	KIT-FAN-120VAC-30	Fan Kit - 120 VAC	N/A
	KIT-FAN-120VAC-84	Fan Kit - 120 VAC	N/A
	KIT-FAN-12VDC-135	Fan Kit - 12 VDC	N/A
	KIT-FAN-12VDC-49	Fan Kit - 12 VDC	N/A
	KIT-FAN-24VDC-135	Fan Kit - 24 VDC	N/A
	KIT-FAN-24VDC-49	Fan Kit - 24 VDC	N/A
	KIT-FAN-48VDC-135	Fan Kit - 48 VDC	N/A
	KIT-FAN-48VDC-50	Fan Kit - 48 VDC	N/A
	KIT-NMLL-063	Non-Metallic Latch Kit - For Impact® (except P9082) includes 1 latch	N/A
	SP-8	Screw Pack - 10 pcs - For Impact® line P4043-P8063 bosses	N/A
	SP-10I	Screw Pack - 10 pcs - For Impact® P9082-P12104 bosses	N/A
	SSSL-KIT	Stainless Steel Locking Latch Kit - For Impact® (except P9082) includes 1 latch	N/A
	Vent 2	Outdoor Labyrinth Vent	N/A
	Vent 3	3" Aluminum Louvered Vent	N/A







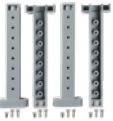





## GENESIS SERIES ACCESSORIES

	Part Number	Description	Size (inches)
<b>Back Panels (Four mounting screws included)</b>			
	ABP-2016	Aluminum back panel for G201608	18.88 x 14.88
	ABP-2016-XL	Aluminum back panel for G201608	19.40 x 15.40
	ABP-2016-XXL	Aluminum back panel for G201608	21.09 x 17.09
	ABP-2424	Aluminum back panel for G242410	21 x 21
	ABP-2424-XL	Aluminum back panel for G242410	22.13 x 22.13
	ABP-2424-XXL	Aluminum back panel for G242410	23.25 x 23.25
	SBP-2016	Steel back panel for G201608	18.88 x 14.88
	SBP-2016-XL	Steel back panel for G201608	19.40 x 15.40
	SBP-2016-XXL	Steel back panel for G201608	21.09 x 17.09
	SBP-2424	Steel back panel for G242410	21 x 21
	SBP-2424-XL	Steel back panel for G242410	22.13 x 22.13
	SBP-2424-XXL	Steel back panel for G242410	23.25 x 23.25
	PVCBP-2016	PVC back panel for G201608	18.88 x 14.88
PVCBP-2424	PVC back panel for G242410	21 x 21	
<b>Side Panels</b>			
	ASP-2016	Aluminum side panel for G201608	6.25 x 15
	ASP-2424	Aluminum side panel for G242410	7.88 x 21.75
	SSP-2016	Steel side panel for G201608	6.25 x 15
	SSP-2424	Steel side panel for G242410	7.88 x 21.75
<b>Swing Panel Kits &amp; Parts</b>			
	ABP-2016-GSOPK	Aluminum Swing Panel Kit for G201608 (Panel and Hardware)	N/A
	ABP-2424-GSOPK	Aluminum Swing Panel Kit for G242410 (Panel and Hardware)	N/A
	SBP-2016-GSOPK	Steel Swing Panel Kit for G201608 (Panel and Hardware)	N/A
	SBP-2424-GSOPK	Steel Swing Panel Kit for G242410 (Panel and Hardware)	N/A
	GSOPK20	20" Aluminum Hinge for Swing Panel	N/A
	GSOPK24	24" Aluminum Hinge for Swing Panel	N/A
<b>Pole Mounting Kit</b>			
	PMKG-224	For 24" Wide Enclosure - 2" Pole	N/A
	PMKG-324	For 24" Wide Enclosure - 3" Pole	N/A
	PMKG-424	For 24" Wide Enclosure - 4" Pole	N/A
	PMKG-1224	For 24" Wide Enclosure - 10" to 12" Pole	N/A
	PMKG-216-GEN	For 16" Wide Enclosure - 2" Pole	N/A
	PMKG-316-GEN	For 16" Wide Enclosure - 3" Pole	N/A
	PMKG-416-GEN	For 16" Wide Enclosure - 4" Pole	N/A
	PMKG-1216-GEN	For 16" Wide Enclosure - 10 to 12" Pole	N/A
	PMKG-234-16-GEN	Universal Mount for 16" Wide Enclosures - 2" , 3" or 4" Pole	N/A
	PMKG-234-24	Universal Mount for 24" Wide Enclosures - 2" , 3" or 4" Pole	N/A







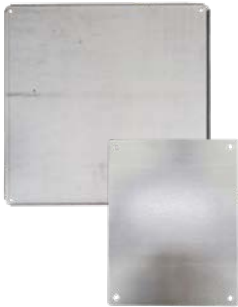
# GENESIS ACCESSORIES

## GENESIS SERIES ACCESSORIES (CONT.)

	Part Number	Description	Size (inches)
<b>Replacement Covers (Includes Cover with Gasket - Hinge Pin and Latches Not Included)</b>			
	G2016CHO-RPL	Opaque Cover for G201608	20 x 16
	G2016CHC-RPL	Clear Cover for G201608	20 x 16
	G2424CHO-RPL	Opaque Cover for G242410	24 x 24
	G2424CHC-RPL	Clear Cover for G242410	24 x 24
<b>Miscellaneous Accessories</b>			
	DIN16-GEN	DIN Rail Kit 16" (2 rails, 4 screws)	N/A
	DIN24	DIN Rail Kit 24" (2 rails, 4 screws)	N/A
	FS-KIT-1	Fan Shroud Kit- 1 piece (includes gasket and screws)	N/A
	FS-KIT-2	Fan Shroud Kit- 2 piece (includes gasket and screws)	N/A
	FSFK1-G	Fan Shroud Vent Filter Kit - 1 piece (includes Gasket and Screws)	N/A
	FSFK2-G	Fan Shroud Vent Filter Kit - 2 piece (Includes Gasket and Screws)	N/A
	GMFLK-Screws	Mounting Flange Screws - Set of 10 screws	N/A
	GMFLK24-Set	24"x24"x10" Mounting Flange Set (set of 2 plus hardware)	N/A
	GMMR-Screws	Multi Max Rail® screws - Set of 12 screws	N/A
	GSP10	Self-Tapping Screws for Bosses - 10 Pack	N/A
	GSR2016	20"x16"x08" Multi-Max Frame Stiffener Ring	N/A
	GSR2424	24"x24"x10" Multi-Max Frame Stiffener Ring	N/A
	KIT-DOOR-STOP	Door Stop Kit for Genesis Enclosures	N/A
	KIT-GMMR8	Multi-Max Rails® with screws - 8" depth (set of 4 with screws)	N/A
	KIT-GMMR10	Multi-Max Rails® with screws - 10" depth (set of 4 with screws)	N/A
	KIT-GPCL-2PK	Non-Metallic Latches (package containing 2 latches) for 20"x16"x08"	N/A
	KIT-GPP-2016	Panel Pad Kit - (four panel brackets) for Genesis 20"x16"x08"	N/A
	KIT-GPP-2424	Panel Pad Kit - (four panel brackets) for Genesis 24"x24"x10"	N/A
	KIT-ACCS-G201608	Multi-Max Rails®, Stiffener Ring, Panel Pad Kit and hardware for G201608	N/A
	KIT-ACCS-G242410	Multi-Max Rails®, Stiffener Ring, Panel Pad Kit and hardware for G242410	N/A
	KIT-FAN-120VAC-30	Fan Kit - 120 VAC	N/A
	KIT-FAN-120VAC-84	Fan Kit - 120 VAC	N/A
	KIT-FAN-12VDC-135	Fan Kit - 12 VDC	N/A
	KIT-FAN-12VDC-49	Fan Kit - 12 VDC	N/A
	KIT-FAN-24VDC-135	Fan Kit - 24 VDC	N/A
	KIT-FAN-24VDC-49	Fan Kit - 24 VDC	N/A
	KIT-FAN-48VDC-135	Fan Kit - 48 VDC	N/A
	KIT-FAN-48VDC-50	Fan Kit - 48 VDC	N/A
	9920236-LT	Large Integra Literature Tray - Black	N/A
	9920236-BLANK-LT	Large Literature Tray - Black	N/A
	9920237-LT	Small Integra Literature Tray - Black	N/A
	9920237-BLANK-LT	Small Literature Tray - Black	N/A



## STRONGBOX SERIES ACCESSORIES

	Part Number	Description	Size (inches)
<b>Miscellaneous Accessories</b>			
 Bolt On Tabs  Literature Tray  Quarter Turn Latch  Forced Air Fan Kits	NEMA-MTKIT	Stainless Steel Bolt-On Tabs with Screws	N/A
	9920236-LT	Large Integra Literature Tray - Black	N/A
	9920236-BLANK-LT	Large Literature Tray - Black	N/A
	9920237-LT	Small Integra Literature Tray - Black	N/A
	9920237-BLANK-LT	Small Literature Tray - Black	N/A
	QTL-SLOT-177	Quarter Turn Latch Assembly	N/A
	QTL-SLOT-256	Quarter Turn Latch Assembly	N/A
	KIT-FAN-120VAC-30	Forced Air Fan Kit - 120 VAC	N/A
	KIT-FAN-120VAC-84	Forced Air Fan Kit - 120 VAC	N/A
	KIT-FAN-12VDC-135	Forced Air Fan Kit - 12 VAC	N/A
	KIT-FAN-12VDC-49	Forced Air Fan Kit - 12 VAC	N/A
	KIT-FAN-24VDC-135	Forced Air Fan Kit - 24 VAC	N/A
	KIT-FAN-24VDC-49	Forced Air Fan Kit - 24 VAC	N/A
	KIT-FAN-48VDC-135	Forced Air Fan Kit - 48 VAC	N/A
	KIT-FAN-48VDC-50	Forced Air Fan Kit - 48 VAC	N/A
<b>Galvanealed Steel Panels for Component Installation</b>			
 Galvanealed Steel Panels	PNLB1008GVN	Galvanealed Steel Panel for 10x8 Strongbox enclosure	8 x 6
	PNLB1210GVN	Galvanealed Steel Panel for 12x10 Strongbox enclosure	10 x 8
	PNLB1412GVN	Galvanealed Steel Panel for 14x12 Strongbox enclosure	12 x 10
	PNLB2016GVN	Galvanealed Steel Panel for 20x16 Strongbox enclosure	18 x 14
	PNLB2020GVN	Galvanealed Steel Panel for 20x20 Strongbox enclosure	18 x 18
	PNLB2420GVN	Galvanealed Steel Panel for 24x20 Strongbox enclosure	22 x 18
	PNLB2424GVN	Galvanealed Steel Panel for 24x24 Strongbox enclosure	22 x 22
	PNLB3024GVN	Galvanealed Steel Panel for 30x24 Strongbox enclosure	28 x 22
	PNLB3630GVN	Galvanealed Steel Panel for 36x30 Strongbox enclosure	34 x 28



# NEMA / UL-50 TYPE RATINGS

NEMA ENCLOSURE RATINGS																
		INDOOR USE					OUTDOOR USE									
		Type 1	Type 2	Type 5	Type 5 12/12K	Type 13	Type 3	Type 3S	Type 3X	Type 3SX	Type 3R	TYPE 3RX	Type 4	Type 4X	Type 6	Type 6P
SOLIDS	INCIDENTAL CONTACT	●	●	●	●	●	●	●	●	●	●	●	●	●	●	●
	FALLING DIRT	●	●		●	●	●	●	●	●	●	●	●	●	●	●
	CIRCULATING DUST				●	●							●	●	●	●
	SETTLING AIRBORNE DUST			●	●	●							●	●	●	●
	WINDBLOWN DUST						●	●	●	●			●	●	●	●
LIQUIDS	LIGHT SPLASH		●	●	●	●	●	●	●	●	●	●	●	●	●	●
	HOSEDOWN & SPLASH												●	●	●	●
	TEMPORARY SUBMERSION														●	●
	PROLONGED SUBMERSION															●
	RAIN, SNOW & SLEET						●	●	●	●	●	●	●	●	●	●
CHEMICALS	ICE LADEN							●		●						
	OIL & COOLANT SEEPAGE				●	●										
	OIL & COOLANT SPLASH					●										
	CORROSION							●	●		●		●			●
Comparable IP Rating		IP 20	IP 22	IP 53	IP 54				IP 55		IP 24		IP 66		IP 67	IP 68

An Enclosure is a surrounding case constructed to provide a degree of protection against incidental contact with the enclosed equipment and to provide a degree of protection to the enclosed equipment against specified environmental conditions.

- Type 1** – Intended for indoor use primarily to provide a degree of protection against limited amounts of falling dirt.
- Type 3** – Intended for outdoor use primarily to provide a degree of protection against rain, sleet, wind blown dust, and damage from external ice formation.
- Type 3R** – Intended for outdoor use primarily to provide a degree of protection against rain, sleet, and damage from external ice formation.
- Type 3SX** – Intended for use primarily to provide a degree of protection against corrosion rain, sleet, windblown dust and to provide for operation of external mechanisms when ice laden.
- Type 4** – Intended for indoor or outdoor use primarily to provide a degree of protection against windblown dust and rain, splashing water, hose-directed water, and damage from external ice formation.
- Type 4X** – Intended for indoor or outdoor use primarily to provide a degree of protection against corrosion, windblown dust and rain, splashing water, hose-directed water, and damage from external ice formation.
- Type 6/6P** – Intended for indoor or outdoor use primarily to provide a degree of protection against hose-directed water, and the entry of water during occasional temporary submersion at a limited depth and damage from external ice formation. Integra 6P enclosures are tested for up to 6ft of water for up to 24 hours.
- Type 12/12K** – Intended for indoor use primarily to provide a degree of protection against circulating dust, falling dirt, and dripping non-corrosive liquids.
- Type 13** – Intended for indoor use primarily to provide a degree of protection against dust, spraying of water, oil, and noncorrosive coolants.



**1) Q: What is included with a standard Integra enclosure?**

**A:** Each enclosure is shipped with the base and cover assembled and cover gasket installed. Premium enclosures come with a set of cover screws and hole plugs as well as mounting feet and screws. Genesis enclosures come with MultiMax Rail System and mounting flanges.

**2) Q: Are the enclosures watertight (NEMA 4X)?**

**A:** Yes. All Integra enclosures have a minimum NEMA 4X rating. NEMA 6P rated enclosures are also available, allowing for temporary submersion up to 6 feet for up to 24 hours.

**3) Q: What colors are available?**

**A:** Standard color for polycarbonate enclosures is gloss gray but we do stock select sizes in white or black as well. For custom molded color, please refer to page 6 or contact [customerservice@integraenclosures.com](mailto:customerservice@integraenclosures.com) for a quote.

**4) Q: Are the enclosures UL-listed? How about Canada?**

**A:** Premium, Impact®, and Genesis Series enclosures are listed as UL-50E, Cabinet and Cutout Boxes. Our file number is E207562. Integra is also C-UL Listed for use in Canada and we are Marine Listed for coastal or marine applications.

**5) Q: I notice that the covers and sidewalls are not flat. Why is that, and does the shape preclude the installation of hubs and components?**

**A:** The covers and sidewalls of all Integra Premium line enclosures are slightly convex. This design creates a much stronger box that is better suited to protect in all environments. "Flat" non-metallic boxes can become warped over time which will cause the box to not seal properly. Integra's innovative design resists warping, creating a water tight seal that lasts!

**6) Q: Are modifications available?**

**A:** Yes, modifications such as machined holes or slots are available on all polycarbonate enclosures. You can also request access to CAD drawings of our enclosures to plan your exact modifications. visit [www.IntegraEnclosures.com](http://www.IntegraEnclosures.com) to register for drawing access and request a custom quote.

Integra can also provide latch installation, DIN-rail installation, or back panel installation. Contact [customerservice@integraenclosures.com](mailto:customerservice@integraenclosures.com) for more information and a quote.

**7) Q: Are back panels available from Integra?**

**A:** Yes, we offer back panels in coated steel, bare aluminum, PVC and galvanized steel.

**8) Q: If I use DIN-rail mounted components, will I need a back panel?**

**A:** Probably not. All Integra enclosures feature molded-in mounting bosses at intervals of approximately 1 inch, located around the entire perimeter of the enclosure base. This allows you to install DIN rails at virtually any location, avoiding the need and expense of a back panel.

**9) Q: How does the Integra Back Panel Adjustment System work?**

**A:** The Integra Back Panel Adjustment System consists of four mounting pads that slide on T-shaped rails molded into the four corners of the enclosure base. The mounting pads, which are provided with brass threaded inserts for panel attachment, are held in place by inserting a set screw (BPAK part numbers) or a thumb screws (UBPAK part numbers). These screws lock tight against the T-Rails, keeping your panel in the desired location.





10) **Q: What if I buy an opaque cover enclosure and decide later that I really want a clear cover?**

**A:** You can order clear covers, with gaskets installed, and easily replace it in the field.

11) **Q: What are the advantages of the Integra product over the fiberglass product I am buying now?**

**A:** There are several important advantages:

- The engineered polycarbonate enclosure has dramatically better impact resistance. For example, Integra polycarbonate enclosures have an impact resistance of over 900 in-lbs, while fiberglass typically has an impact resistance of less than 220 in-lbs.
- Polycarbonate enclosures are available with a clear cover. For a fiberglass product, an expensive and potentially leaky window installation is required.
- Polycarbonate enclosures feature a 100% non-metallic hinge design. Fiberglass products normally feature a steel hinge pin that will eventually corrode.
- Polycarbonate enclosures tend to offer more features inside the enclosure to support component installation. For example, fiberglass products tend to have only four mounting bosses on the base of the box. Integra products feature those same four mounting bosses, plus molded-in mounting bosses surrounding the perimeter of the enclosure. Integra also offers the patented Back Panel Adjustment System, which eliminates the need for expensive stand-offs and allows for the installation of multiple panels.
- Polycarbonate enclosures are much easier and safer to machine, with none of the dust and splintering associated with fiberglass.
- Fiberglass enclosures will “bloom” when exposed to sunlight. In fact, manufacturers of FRP enclosures recommend painting their products. This is not necessary with Integra polycarbonate enclosures.

12) **Q: I notice that the enclosures are not metric. Why not, and how do you address this concern?**

**A:** Integra provides “dual-dimension” data for our line of enclosures. Also, note that our “DIN rail friendly” design speaks directly to the need for European-designed components and the spreading use of DIN rail mounted components.

13) **Q: Can Integra enclosure products be mounted underwater or underground?**

**A:** Integra offers multiple configurations of NEMA 6P / IP68 rated enclosures which can offer protection in underground vaults and other locations that have the potential to flood. Integra 6P rated enclosures remain water tight in up to 6 feet of water for up to 24 hours.

14) **Q: What kind of thread locker can be used on Integra enclosures?**

**A: Chemical** - Chemical thread locking compounds are not recommended. Anti-seize thread release agents are also not recommended.

**Mechanical** - A mechanical thread locking device is acceptable, such as a lock washer, provided a flat washer is used between the locking element and polycarbonate.

15) **Q: What are the torque specifications for Integra enclosures?**

**A: Mounting Feet/Flange** - 25-30 in-lbs.

**Back Panel** - 10-15 in-lbs.

**Enclosure Cover** - 8-10 in-lbs.

16) **Q: How do I clean an Integra enclosure?**

**A:** Only light soapy water is recommended to clean your polycarbonate enclosure.



**1) Q: What is included with a standard Integra stainless steel enclosure?**

**A:** Unless specified otherwise, each enclosure is shipped assembled with the base and cover made of 304 stainless steel and polyurethane foam-in-place gasket. The enclosure also comes with a quarter-turn latch, rivet nuts and bolt-on mounting tabs, removable 316 Stainless Steel hinge (Pinge™), B.P. standoffs and grounding lugs.

**2) Q: Are the enclosures watertight (NEMA 4X)?**

**A:** Yes, all Integra stainless steel enclosures are NEMA 4X rated. Aluminum enclosures require powder coating to be NEMA 4X rated.

**3) Q: What colors are available?**

**A:** Stainless steel enclosures are finished with #4 grade finish. Aluminum enclosures have a mill finish unless powder coated. Custom powder coated color is available. Contact us directly for a quote.

**4) Q: Are the enclosures UL-listed? How about Canada?**

**A:** Integra's metal NEMA 4X enclosures are constructed in accordance with the UL508A Standard for Industrial Control Panels and CSA C22.2 Industrial Control Equipment and are both UL and C-UL listed for use in the US and Canada.

**5) Q: Are modifications available?**

**A:** Full modification services are available at Integra to ensure your enclosure has the required dimensions, accessories and holes you need. Modifications are made during assembly, and include but are not limited to: custom sizing, custom machining, custom back panels, multiple mounting options, latching options and hinging options. Call us to discuss your unique requirements.

**6) Q: Are back panels available from Integra?**

**A:** Yes, we offer back panels in stainless steel, painted carbon steel, aluminum, and galvalume. We also offer custom back panels. Contact us directly for a quote.

**7) Q: Why does my enclosure have rust spots on it?**

**A:** Discoloration on outdoor enclosures is typically caused by environmental exposure factors such as soil, saltwater, and fertilizer that contain iron particles that can collect on the enclosure surfaces and cause discoloration. This is not the stainless steel rusting; these compounds can collect along welded seams because the welding/polishing process and can create a slight magnetic pull. We recommend a thorough cleaning immediately after installation to ensure the stainless steel is clean and free of oils and other contaminants. Chemical exposure is a different category and should be evaluated on a case to case basis.

**8) Q: What type of materials are available to manufacture my enclosure?**

**A:** Integra offers multiple material options for your enclosure, including 304 stainless steel, 316 stainless steel, and 5052-H32 aluminum. Please contact factory if you have other requirements.

**9) Q: Can you label, print, laser etch, or silk screen my stainless steel enclosure?**

**A:** Yes, multiple decoration methods are available. Please contact the factory directly for a quote.



**10) Q: What does it mean if my enclosure is made with 14 gauge or 16 gauge material?**

**A:** Gauge refers to the thickness of the stainless steel material being used. Depending on the size of your enclosure, the gauge varies.

Stainless Steel Gauge Number	Inches	Millimeter
14	.07812	1.984
16	.0625	1.587

**11) Q: What is the largest enclosure you can manufacture?**

**A:** Integra manufactures custom enclosures up to 72" tall. However, we have the capabilities to manufacture a wide variety of sizes. Please contact the factory directly for size inquiries.

**12) Q: What is the best way to send you a drawing of my enclosure design?**

**A:** We accept drawings in the format of a PDF, DWG, STP, or AutoCAD drawing. If these options aren't available, email [customerservice@integraenclosures.com](mailto:customerservice@integraenclosures.com) a photo or copy of your hand drawn drawing and we will configure it. Our engineering team will work with you on the drawing until it is approved.

**13) Q: Are there any restrictions on the amount or size of my custom hole pattern?**

**A:** There are no restrictions to the amount or size of the machined hole patterns, as long as the cutouts remain within the hole-to-edge limitations. Below is a table of the minimum hole-to-edge distance for custom machined cutouts. This prevents deformation of the cutout during forming.

Material Thickness	Min. Hole-To-Edge Distance
0.060 in.	0.180 in.
0.075 in.	0.225 in.
0.090 in.	0.270 in.
0.105 in.	0.315 in.

**14) Q: What is your lead time for a custom enclosure?**

**A:** All lead times start from when our customer service team receives the purchase order. Please contact factory for current lead times.

**15) Q: How is my enclosure packaged and shipped?**

**A:** Standard packaging is one unit per carton, packed to ensure safe delivery to your location. If you have any special requirements for shipping, contact us and we can work to meet your requirements. Integra Enclosures is not responsible for lost or damaged product during shipment.

**16) Q: Are PEMs NEMA 4X rated?**

**A:** PEMs by themselves are not 4X rated. However, a 4X rating can be achieved using powder coated PEMs. Other 4X rated options include CD studs and rivet nuts. Please contact the factory directly with any additional questions and refer to page 93 for NEMA rating details.

# CHEMICAL RESISTANCE



**WARNING!** Variations in chemical behavior during handling due to factors such as temperature, pressure, and concentration can cause equipment to fail, even though it passed an initial test. **SERIOUS INJURY MAY RESULT!** Use suitable guards and/or personal protection when handling chemicals. The information in this chart has been supplied by reputable sources and is to be used **ONLY** as a guide in selecting equipment for appropriate compatibility. Before permanent installation test the equipment with the chemicals and under the specific conditions of your application. Ratings of chemical behavior listed in this chart apply to a 48-hr exposed period. There is no knowledge of possible effects beyond this period. This does not warrant (neither express nor implied) that the information in this chart is accurate or complete or that any material is suitable for any purpose.

S = Satisfactory and completely unaffected  
M = Moderate resistance

L = Limited resistance/some chemical attack over time  
U = Unsatisfactory. Severe attack in a short time

CHEMICAL	POLYCARBONATE	ABS	POLYESTER GLASS	STAINLESS STEEL	STEEL
Acetic Acid (10%)	S	L	S	U	U
Acetone	U	U	U	S	S
Aluminum Chloride (10%)	S	S	S	S	U
Aluminum Sulfate (10%)	S	S	S	S	U
Ammonia Gas	-	-	L	S	S
Ammonium Chloride	S	S	L	M	S
Ammonium Hydroxide (10%)	U	M	L	S	U
Ammonium Nitrate (10%)	U	-	L	S	D
Ammonium Phosphate (10%)	S	S	S	S	U
Ammonium Sulfate	-	S	S	M	U
ASTM #1 Oil	M	L	-	S	S
ASTM #3 Oil	M	L	-	S	S
Axle Grease	M	L	-	S	S
Boric Acid (10%)	S	S	S	S	U
Calcium Chloride (10%)	S	M	S	L	L
Calcium Hydroxide (10%)	S	-	U	M	S
Carbolic Acid (25%) Phenol	U	U	L	M	U
Carbon Tetrachloride	U	U	S	M	U
Chlorine (water) 5-10 ppm	S	S	-	S	M
Chrome Plating Solution	S	L	-	U	U
Chromic Acid	-	S	S	M	U
Citric Acid (10%)	S	U	S	S	U
Copper Sulfate	-	-	-	M	U
Cutting Fluid (Norton 205)	S	L	-	S	S
Ethyl Alcohol	M	M	M	S	S
Ethylene Glycol	S	S	S	S	S
Ferric Chloride	S	S	S	U	U
Formaldehyde	-	S	S	S	S
Formic Acid	S	M	L	S	U
Fuel Oil (#2)	S	S	U	S	S
Gasoline	-	U	S	S	S
Glycerin	-	L	S	S	S



# CHEMICAL RESISTANCE

CHEMICAL	POLYCARBONATE	ABS	POLYESTER GLASS	STAINLESS STEEL	STEEL
Hydraulic Brake Fluid	U	U	-	S	S
Hydraulic Oil	M	U	S	S	S
Hydrochloric Acid (10%)	S	S	L	U	U
Hydrofluoric Acid (20%)	M	L	S	U	U
Hydrogen Peroxide	-	L	S	M	M
Hydrogen Sulfide	S	M	-	L	U
Isopropyl Alcohol	S	M	-	S	S
Kerosene	M	U	S	S	S
Lacquer Thinner	U	U	-	S	L
Loctite	U	U	U	S	S
Liquid Dish Soap (10%)	S	-	S	S	S
Lubricating Oils	-	M	S	S	S
Magnesium Chloride (10%)	S	M	M	S	S
Magnesium Hydroxide (10%)	S	M	M	S	S
Methyl Ethyl Ketone	-	U	S	S	S
Methylene Chloride	U	U	U	S	S
Mineral Spirits	M	U	S	S	S
Motor Oil (10 weight)	S	L	-	S	S
Nitric Acid (10%)	L	M	M	L	L
Perchloroethylene	U	U	-	S	S
Phosphoric Acid (25%)	S	M	U	-	-
Phosphoric Acid (50%)	S	M	U	U	U
Potassium Carbonate (10%)	S	S	L	M	L
Potassium Chloride (25%)	S	S	S	S	S
Potassium Hydroxide (25%)	U	S	L	S	S
Potassium Nitrate (10%)	S	S	S	S	S
Potassium Sulfate (10%)	S	S	S	S	S
Soap (igepal) 10%	S	S	S	S	S
Sodium Bicarbonate (10%)	S	S	S	S	L
Sodium Bisulfate (10%)	S	S	-	U	U
Sodium Chloride (25%)	S	S	S	M	U
Sodium Hydroxide	U	M	U	M	M
Sodium Hypochlorite	S	S	L	L	U
Sodium Nitrate (10%)	S	-	S	M	M
Sodium Phosphate (10%)	S	S	L	M	U
Sulfuric Acid (25%)	S	S	U	U	U
Tannic Acid (10%)	S	S	-	M	L
Toluene	U	U	-	S	S
Trichloroethylene	-	U	U	M	M
Trisodium Phosphate	-	M	-	M	-
Turpentine	S	U	S	S	S
Vegetable Oils	-	S	S	S	S
Xylene	U	U	S	M	M
Zinc Chloride	M	S	-	M	U



# TERMS & CONDITIONS



The Terms and Conditions contained herein are the exclusive terms and conditions for the sale of products and components (collectively the "Products") from MUM Industries, Inc., doing business as Integra Enclosures ("Integra") to you, its Customer. Customer agrees that the terms and conditions stated herein and, to the extent not stated herein but contained on any Integra invoice, constitute the final, complete, exclusive expression of the agreement between Integra and Customer. In the event that any Customer form, purchase order or any other document submitted by Customer contains terms and conditions in addition to or different from the terms and conditions herein or from any Integra invoice, Customer agrees, by so submitting its purchase order or order form, by receiving an order acknowledgment or by accepting any Products Integra, that such new or additional terms are rejected and that the language of the Integra terms and conditions control. Any and all new or additional terms contained on any Customer document (whether provided to Integra prior or subsequent to the delivery of these Terms and Conditions) are hereby expressly and completely rejected. Acceptance of Customer's order for Products is expressly limited to these terms and conditions.

1. Orders become effective only when accepted and approved by Integra. Integra's acceptance is expressly made conditional on the Customer's assent to the terms and conditions contained herein and to the terms and conditions of any proposal issued by Integra to the Customer, and Integra agrees to furnish the Products covered by the order only upon such terms and conditions. Any of the terms or provisions of the Customer's order which are inconsistent with the terms and provisions contained herein are not agreed to by Integra and shall not be binding on Integra and shall not be considered applicable to the sale or shipment of the Products ordered.

2. There shall be a minimum order amount of \$50.00, exclusive of freight.

3. Orders, shipments, and terms of payment are subject to the approval of Integra's Credit Department. Invoices shall be rendered when the Products are shipped. Terms of payment are net 30 days, unless otherwise agreed by Integra. Any sums not paid within the specified net terms are subject to a service charge of 1.5% per month. No discount will be allowed to any Customer having an overdue balance. Any discounts previously granted to any Customer who fails to pay any Integra invoice when due will be immediately forfeited and lost. Any discount forfeited or lost due to untimely payment of any invoice will be billed to Customer, which shall be immediately due and payable. Customer will pay all costs, collection agency commissions, expenses and all reasonable attorney fees incurred in the collection of any past due sums. By submitting an order or taking receipt of Integra Products, Customer consents to the exclusive jurisdiction of the state and federal courts located in the State of Ohio. Customer shall be deemed to have accepted the Products shipped by Integra within ten (10) days after delivery to the customer. After acceptance, Customer shall not be entitled to reject the Products that are not in accordance with these terms and conditions. Integra reserves the right to refrain from performing any work on any of Customer's orders should any of Customer's account(s) or jobs with Integra be or become past due. Payments shall be made to MUM Industries, P. O. Box 1870, Mentor, OH 44061-1870.

4. Products are sold FOB Integra's plant and title shall pass upon delivery to the carrier. Integra is not responsible for any loss or damage incurred in transit and any claim must be made by the Customer. Integra shall provide reasonable assistance in the filing of any claim, at the request of the Customer.

5. Shipment dates are provided based on current inventories and production plans. However, Integra shall not be responsible for any partial or total failure to deliver or for any delay incurred caused by accidents, delays in transportation, fires, explosions, floods, earthquakes, or other acts of nature, riots, strikes, or other causes beyond Integra's reasonable control.

6. Orders for non-standard Products, such as modified Products or Products produced to Customer's specifications, are not cancelable and not returnable without Integra's prior consent. Should cancellation consent be given, Integra reserves the right to recover all direct costs incurred as a result of such cancellation. Further, no returns are accepted on electrical components or assemblies containing electrical components such as transition boxes.

7. Returns of compliant Products may be returned at the customer's request only upon the approval of Integra. Products must be in re-sellable condition and in their original packaging. No cash refunds will be provided for returned Products. Integra will issue a credit memorandum for any authorized Product return. Said credit memorandum will have no cash value and shall expire one (1) year after issuance. Authorized returns not accompanied by a new order of greater or equal value shall be subject to a restocking fee of 25% of the original sale price.

8. Integra warrants to Customer that the Products will be free from defects in material and workmanship for the following periods of time from date of shipment from its facility: Polycarbonate - One (1) year; Stainless Steel - Ten (10) years; Mild Steel - One (1) year; Cold Rolled Steel - One (1) year; and Aluminum - Five (5) years. These warranties are subject to receipt of written notification by Customer to Integra within the warranty period. The determination as to whether a Product is defective shall be in Integra's sole and exclusive discretion. Any warranty claim is further subject to Customer's return of defective Products to a destination specified by Integra. Under no circumstances will credit be allowed for unauthorized return of any Products.

NO EMPLOYEE, REPRESENTATIVE OR DISTRIBUTOR IS AUTHORIZED TO CHANGE THE FOREGOING WARRANTIES IN ANY WAY OR GRANT ANY OTHER WARRANTY ON BEHALF OF INTEGRA. THE FOREGOING WARRANTIES ARE IN LIEU OF ALL OTHER WARRANTIES AND NO REPRESENTATIONS, GUARANTEES, OR WARRANTIES, EXPRESS OR IMPLIED, ARE MADE BY INTEGRA IN CONNECTION WITH THE MANUFACTURE OR SALE OF ITS PRODUCTS. THE LIABILITY OF INTEGRA, WHETHER IN CONTRACT, TORT, UNDER ANY WARRANTY, OR OTHERWISE, SHALL NOT EXTEND BEYOND ITS OBLIGATION TO REPAIR OR REPLACE, AT ITS OPTION, ANY PRODUCT OR PART FOUND BY INTEGRA TO BE DEFECTIVE IN MATERIAL OR WORKMANSHIP. INTEGRA SHALL NOT BE LIABLE FOR COST OF REMOVAL OR INSTALLATION AND/OR SHALL NOT BE RESPONSIBLE FOR ANY DIRECT, INDIRECT, SPECIAL OR CONSEQUENTIAL DAMAGES OF ANY NATURE.

Whether based on any Warranty claim or otherwise, Integra will not, in ANY event, be liable for any loss of profit, interruption of business or any other special, consequential or incidental damages suffered or sustained by Customer. Integra's total maximum liability to Customer in respect of the manufacture and sale of Products is limited to the Warranty stated herein and, if any claim by Customer is based on a theory other than the Warranties, then the damages are limited to the total monies received by Integra from Customer for the particular Products described in Customer's order which are determined to be defective. The total maximum liability for scheduled orders that are drawn down against each month will be the monthly total of the affected order or the total value of the items affected, whichever is the lesser.

9. Any assistance, suggestions, or technical advice given the Customer by Integra or any agent thereof, concerning dimensions, handling, installation, testing, storage, use or placement in service of any Products is an accommodation for which Integra shall have no liability unless such liability expressly assumed by Integra in writing and signed by an officer of the company.

10. No employee, agent, or representative of Integra has the authority or power to add, waive, or amend these terms and conditions unless first authorized in writing by an officer of Integra. Any transaction with Customer shall be construed under the laws of the State of Ohio. Waiver of Integra of any breach shall not thereafter be deemed a waiver of a subsequent breach of the same of any other provision hereof.