

4

3

2

1

D

D

C

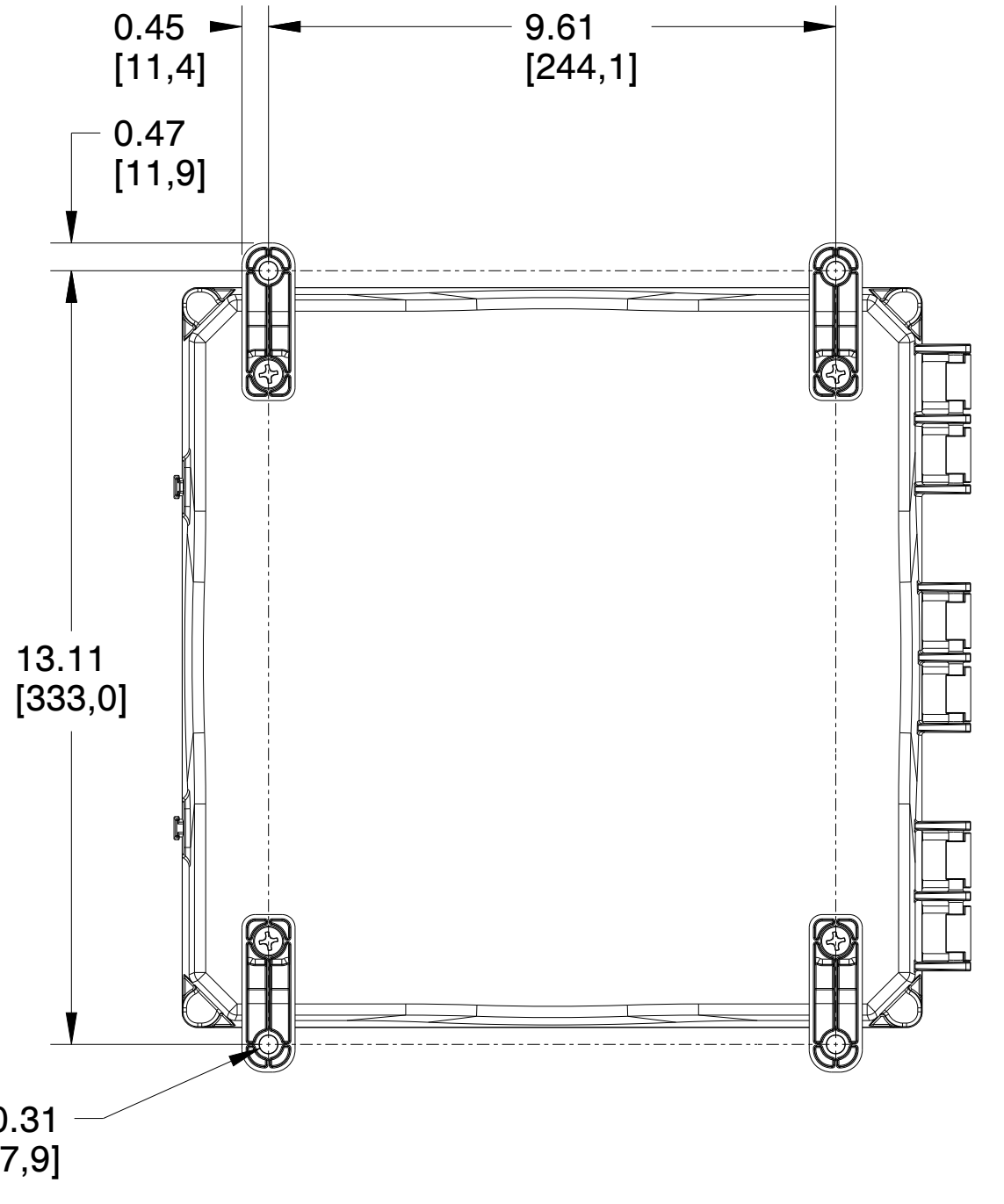
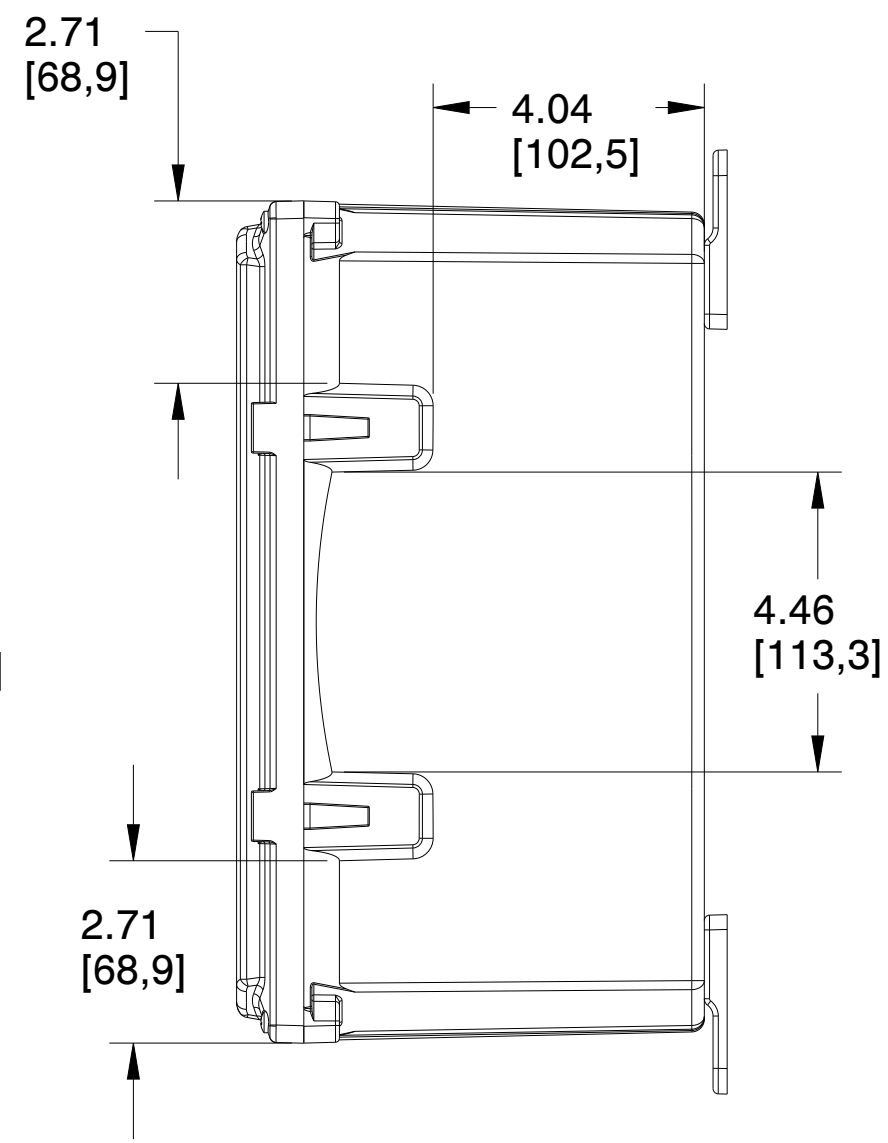
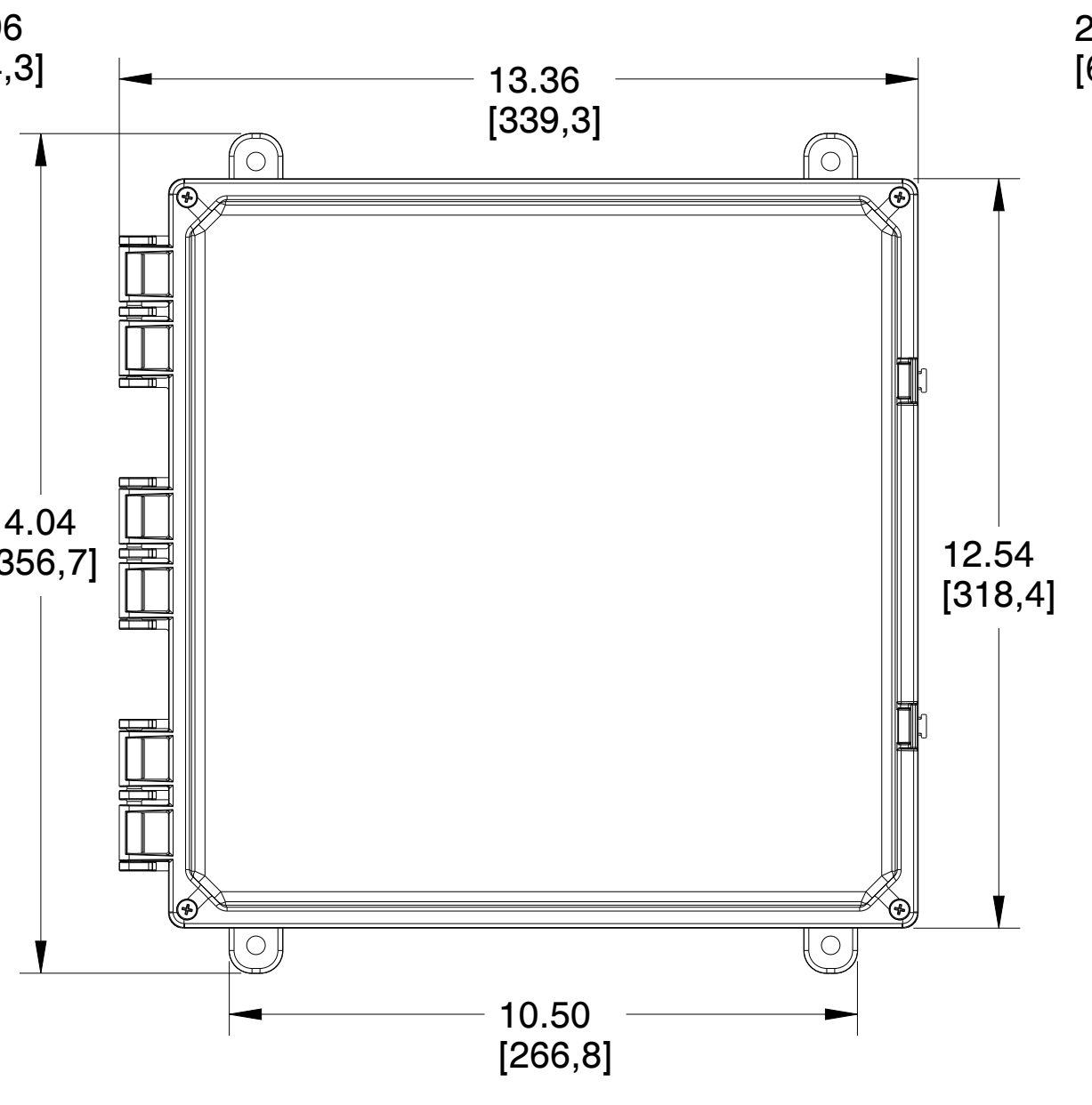
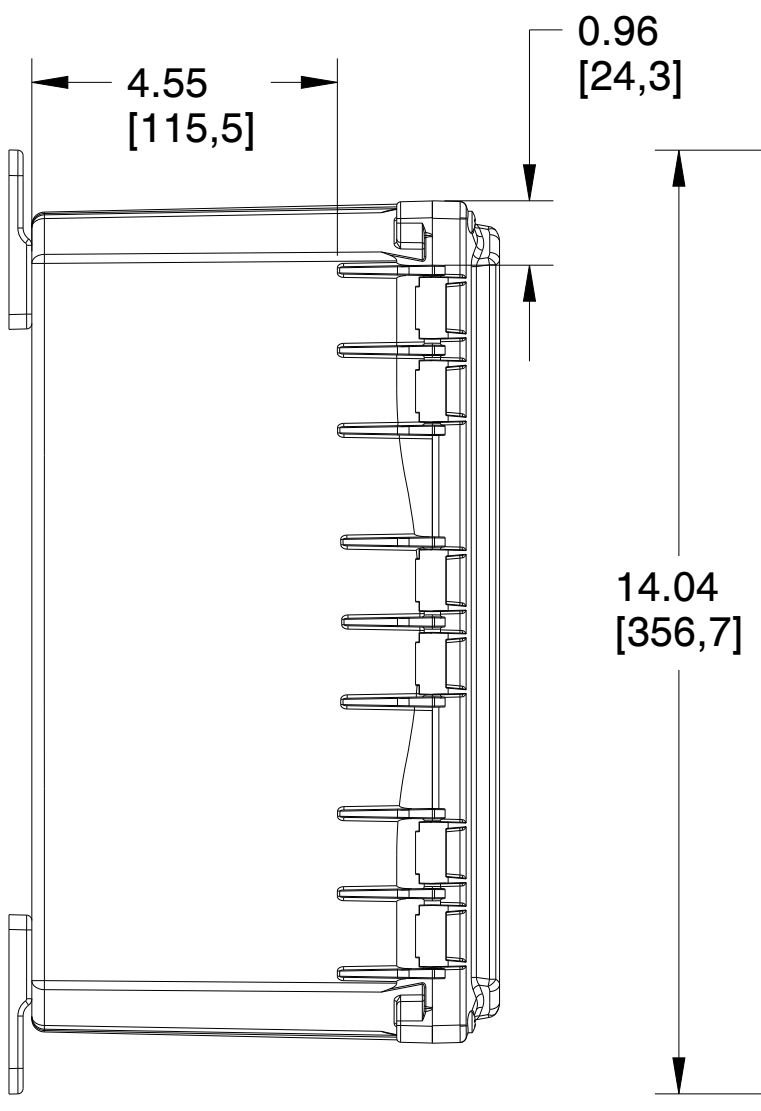
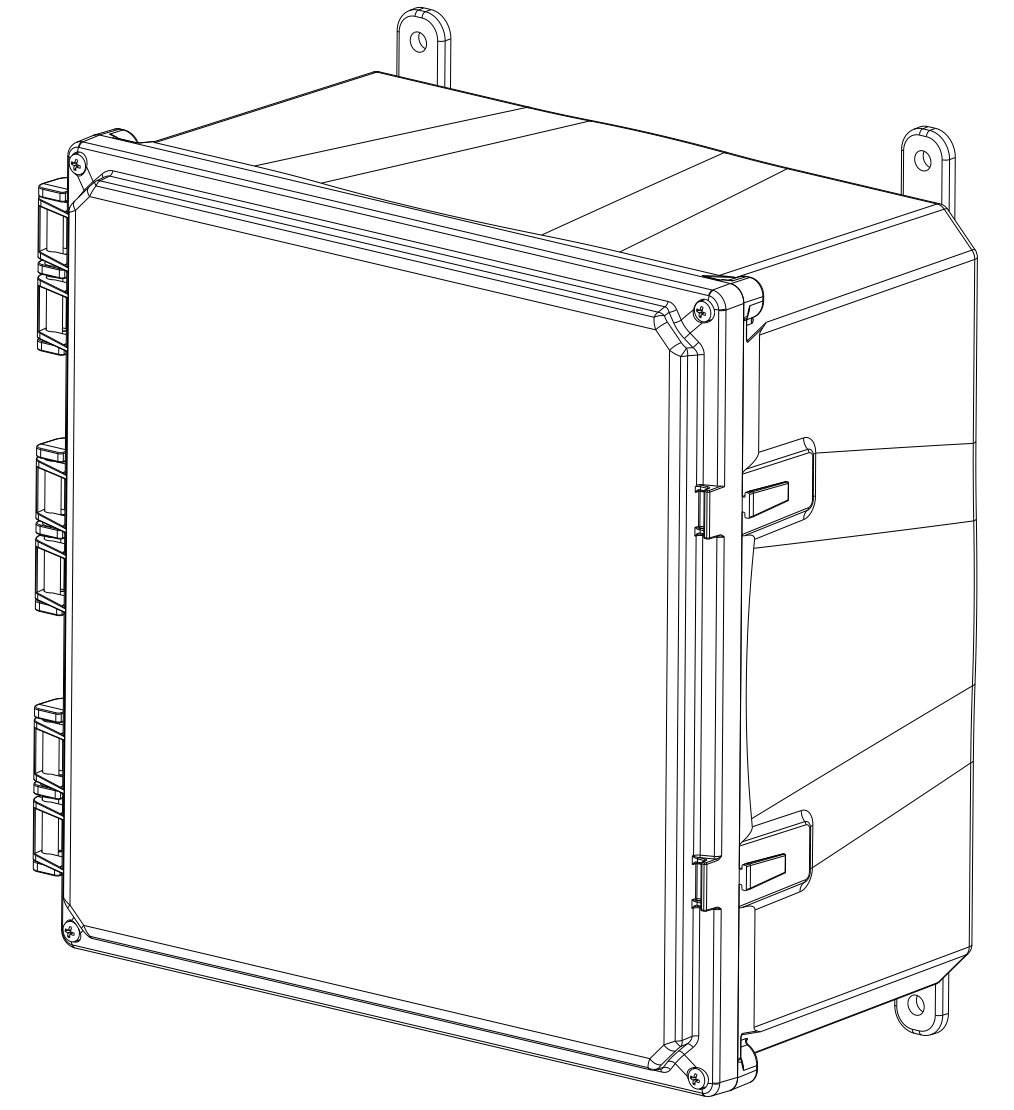
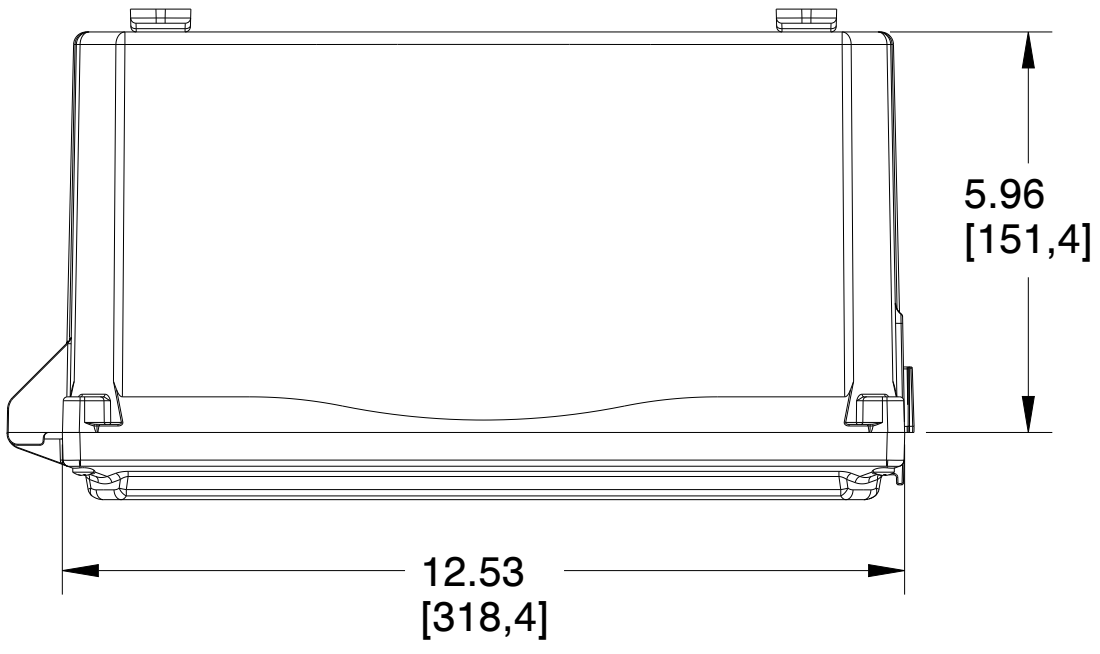
C

B

B

A

A



INTEGRA ENCLOSURES
 MUM INDUSTRIES
 8989 TYLER BLVD
 MENTOR, OHIO, U.S.A.
 (440) 269-8155 FAX (440) 269-8166

SCALE: 0.350 SHEET: 1 of 2 DRAWN BY: L. SULLIVAN

TITLE: PREM-12X12X06-HNG-GRY

DATE: 07.31.2024 DRAWING NUMBER: H121206H REV: A

UNLESS OTHERWISE SPECIFIED:
 DIMENSIONS ARE IN INCHES (mm)
 AND ARE NOMINAL ONLY.

PROPRIETARY AND CONFIDENTIAL:
 THE INFORMATION CONTAINED IN THIS
 DRAWING IS THE SOLE PROPERTY OF
 INTEGRA ENCLOSURES. ANY
 REPRODUCTION IN PART OR AS A
 WHOLE WITHOUT THE WRITTEN
 PERMISSION OF INTEGRA
 ENCLOSURES IS PROHIBITED.

4

3

2

1

4

3

2

1

D

D

C

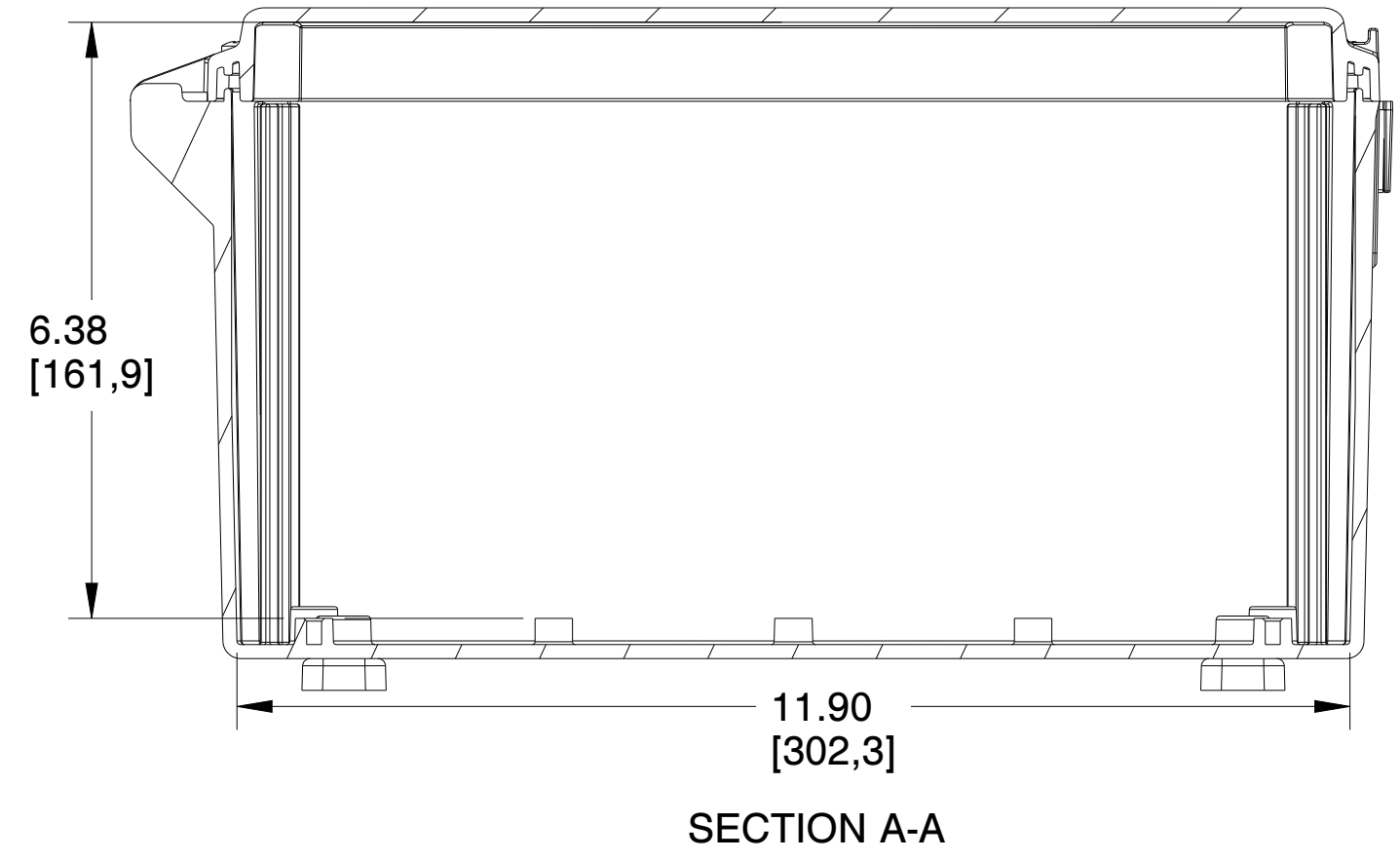
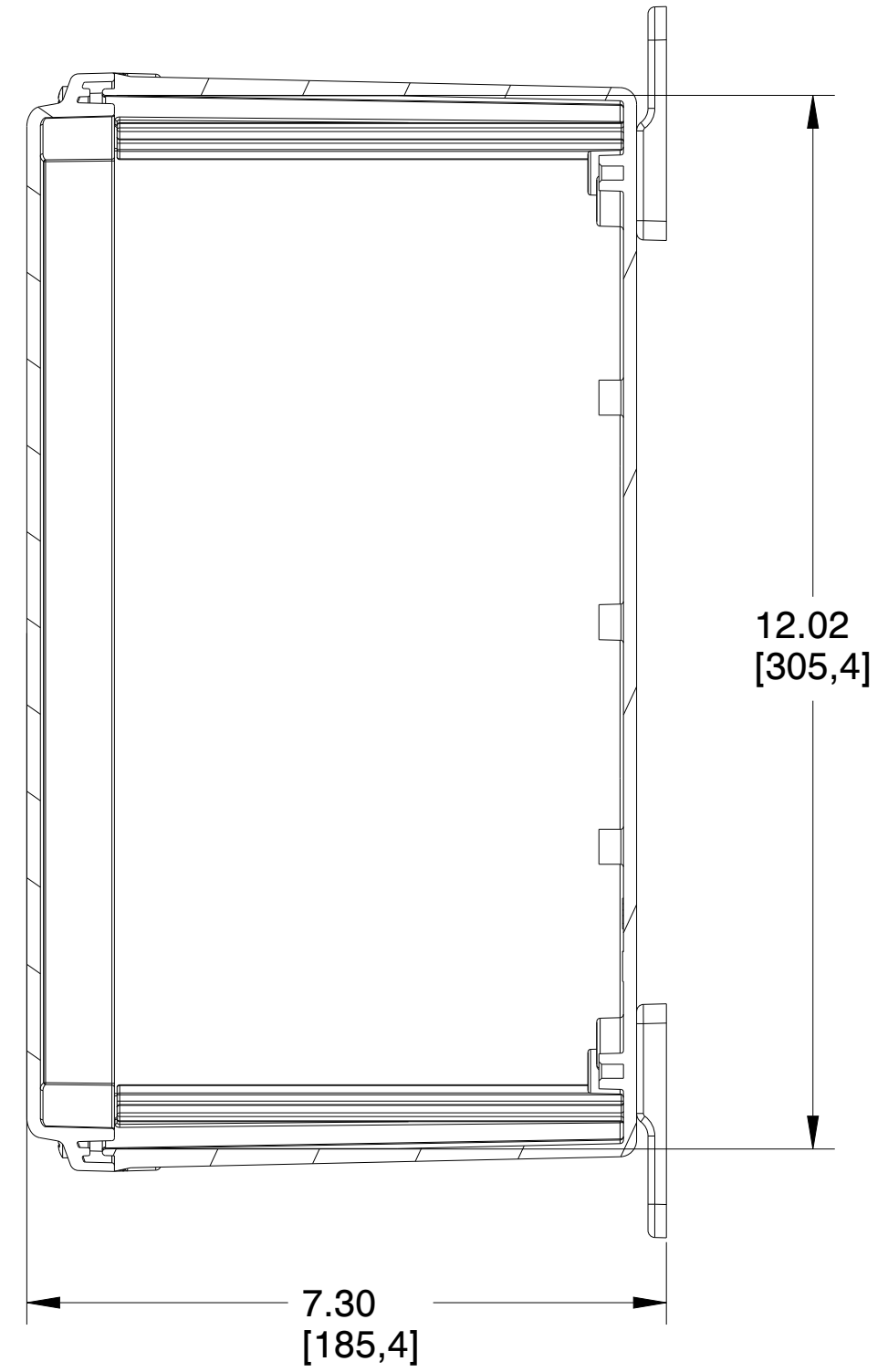
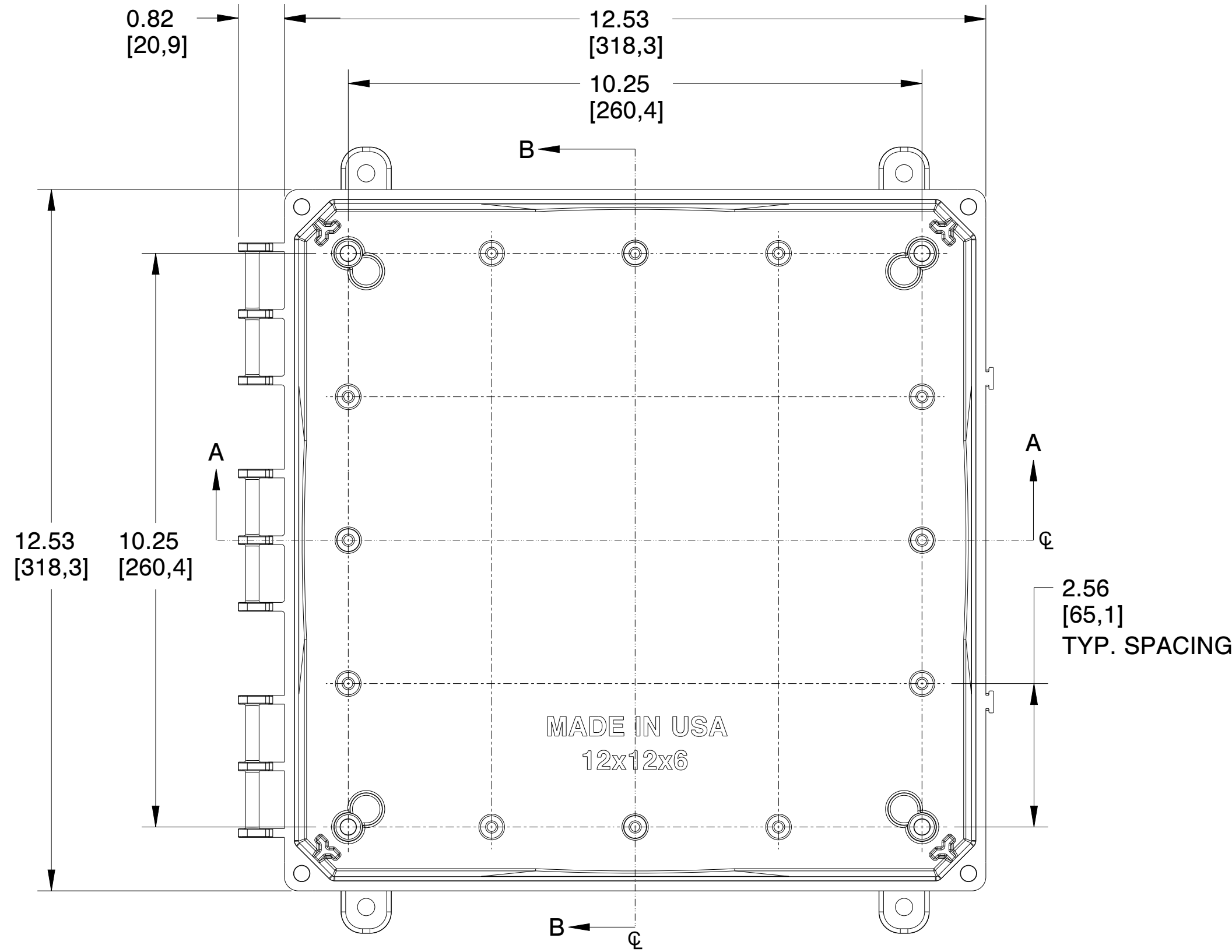
C

B

B

A

A



		MUM INDUSTRIES 8989 TYLER BLVD MENTOR, OHIO, U.S.A. (440) 269-8155 FAX (440) 269-8166	
SCALE	SHEET	DRAWN BY	
0.500	2 of 2	L. SULLIVAN	
TITLE			
PREM-12X12X06-HNG-GRY			
DATE	DRAWING NUMBER	REV	
07.31.2024	H121206H	A	

UNLESS OTHERWISE SPECIFIED:
 DIMENSIONS ARE IN INCHES (MM)
 AND ARE NOMINAL ONLY

PROPRIETARY AND CONFIDENTIAL:
 THE INFORMATION CONTAINED IN THIS
 DRAWING IS THE SOLE PROPERTY OF
 INTEGRA ENCLOSURES. ANY
 REPRODUCTION IN PART OR AS A
 WHOLE WITHOUT THE WRITTEN
 PERMISSION OF INTEGRA
 ENCLOSURES IS PROHIBITED.

4

3

2

1